

Quartz Crystal Unit

Series 6C, Resistance Welded HC-49/SMD Surface Mount Package



Approved by:	
Checked by :	
Issued by:	

SPECIFICATION

MODEL: SJK-6C-16.00-20-20-30-F-B-30-HJ

深圳市晶科鑫实业有限公司

SHENZHEN CRYSTAL TECHNOLOGY INDUSTRIAL CO., LTD.

Add: RM#1805, East Wing, TianAn Hi-tech Plaza Phase2, TianAn Cyber Park, Shenzhen, China

Tel: (86) 755 88352809 88352810 Fax: (86) 755 88353718 88352499

E-mail: jolly@q-crystal.com HTTP://www.q-crystal.com

Quartz Crystal Unit



Series 6C, Resistance Welded HC-49/SMD Surface Mount Package

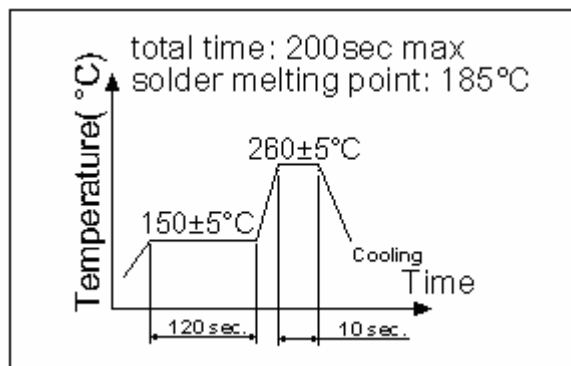
FEATURE

- I Height 4.0mm or 3.0mm, compact crystal unit to surface mount.
- I Able to by means of a metal case and completely sealed high resolution characteristics.
- I Copes with high density mounting and is the optimum for mass production.

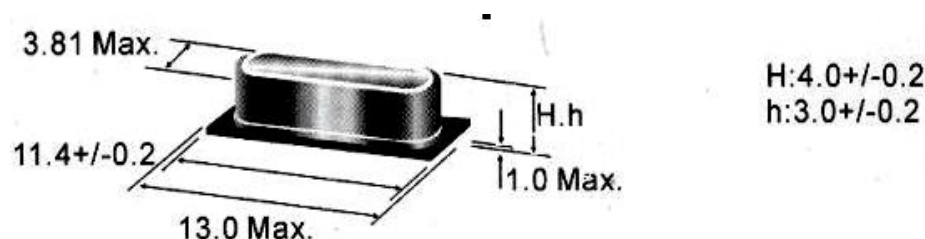
ELECTRICAL SPECIFICATIONS

Nominal frequency	16.000MHz
Oscillation mode	Fundamental
Load capacitance	20pF
Frequency tolerance	± 20 PPM at $25 \pm 3^\circ\text{C}$
Equivalent series resistance	30Ω
Storage temperature range	$-40^\circ\text{C} \text{---} +85^\circ\text{C}$
Operating temperature range	$-20^\circ\text{C} \text{---} +70^\circ\text{C}$
Frequency Stability Over Operating Temperature	± 30 PPM
Parallel capacitance(C_0)	7PF Max
Drive level	100 μW
Insulation resistance	More than $500\text{M} \Omega$ AT DC100V
Aging (at 25°C)	± 5 PPM/year Maximum

Reflow Condition



Dimension



Add: RM#1805, East Wing, TianAn Hi-tech Plaza Phase2, TianAn Cyber Park, Shenzhen, China
Tel: (86) 755 88352809 88352810 Fax: (86) 755 88353718 88352499
E-mail: jolly@q-crystal.com HTTP://www.q-crystal.com

Quartz Crystal Unit



Series 6C, Resistance Welded HC-49/SMD Surface Mount Package

SJK-6C-	16.00 Frequency	20 Load capacitance	20 Frequency tolerance	30 E.S.R.	F oscillate mode F: Fundamental 3: 3rd overtone 5: 5th overtone	B operating temperature range A: -10-60°C B: -20-70°C C: -40-85°C	30 temperature stability:	H H: Normal (4.0mm) h: low (3.0mm)
---------	--------------------	------------------------	---------------------------	--------------	---	---	------------------------------	--

RELIABILITY TEST SPECIFICATION

Test item	Equipment	Condition	Specification
1. SOLDERABILITY TEST	SJK-REL001、RC-328A	1. solderability: 245±5°C, 5±0.5S 2. heat resistance: 260±5°C, 10±1S restoration of 1 hour	'1. MIL-STD-883C METHOD 2003.7 2. MIL-STD-202F, METHOD 210A
2. HERMETICITY TEST	UL-306S	small and do not control roughly (hubble-bubble machine); Nothing air bubble creation s thin leave out 1 * 10 E-8 ATM.CC/SEC.	MIL-STD-883C METHOD 1014.9
3. VIBRATION TEST	HG-V4、S&A 250B	Enable Crystal(10g) from 10-55-10Hz, X、Y、Z horizontal, 1 Minute vibration/time, 1time/ 2 hours.	JIS C5025 TEST A MIL-STD-883C, METHOD 2007.2
4. MECHANICAL SHOCK	HPC-200、S&A 250B	Enable Crystal 50G(490m/s ²) time=11 ms speed=3.4 m/s half sine wave oscillation	JIS C5026 MIL-STD-883C, METHOD 2002
5. DROP TEST	HARD BOARD.S&A250B	75CM HIGH, 3 TIMES ON HARD BOARD	'JIS C6701
6. SALT SPRAY	H-SST-60、RC-328A	5% NaCL, 35 °C ±2 °C CHAMBER, 48 hrs. , PH: 6.5~7.2	JIS C5028 & MIL-STD-202F METHOD 101D
7. HIGH&LOW TEMP STORAGE TEST	H-PTH-80CK & HM101-3ABN, S&A 350B/250B	High temperature: 125°C±2°C, 1000hr; Low temperature: -40°C±3°C, 1000hrs	MIL-STD-883C, METHOD 1011.8& JIS C5030
8. TEMP & HUM CYCLING TEST	H-PTH-80CK CHAMBER, S&A 350B/250B	Temperature: -10 °C ±2 °C ~ 65 °C ±2 °C , Humidity: 93±3%, 1 cycle need 24 hrs. 5cycles.	MIL-STD-883C, METHOD 1010.7
9. HIGH TEM. & HUM. STORAGE TEST	H-PTH-80CK CHAMBER, S&A350B/250B	temperature: 40 °C ±2 , Humidity: 85+3,-2%, Store 96 hrs	JIS C5023
10. AGING TEST	H-PTH-80CK CHAMBER, S&A350B/250	temperature: 85°C±2, 1000hrs	JIS C5031

Add: RM#1805, East Wing, TianAn Hi-tech Plaza Phase2, TianAn Cyber Park, Shenzhen, China
 Tel: (86) 755 88352809 88352810 Fax: (86) 755 88353718 88352499
 E-mail: jolly@q-crystal.com HTTP://www.q-crystal.com