

P/N:

81800U225

Title:

SPECIFICATION/说明书**Electrical Specification/电性能指标**

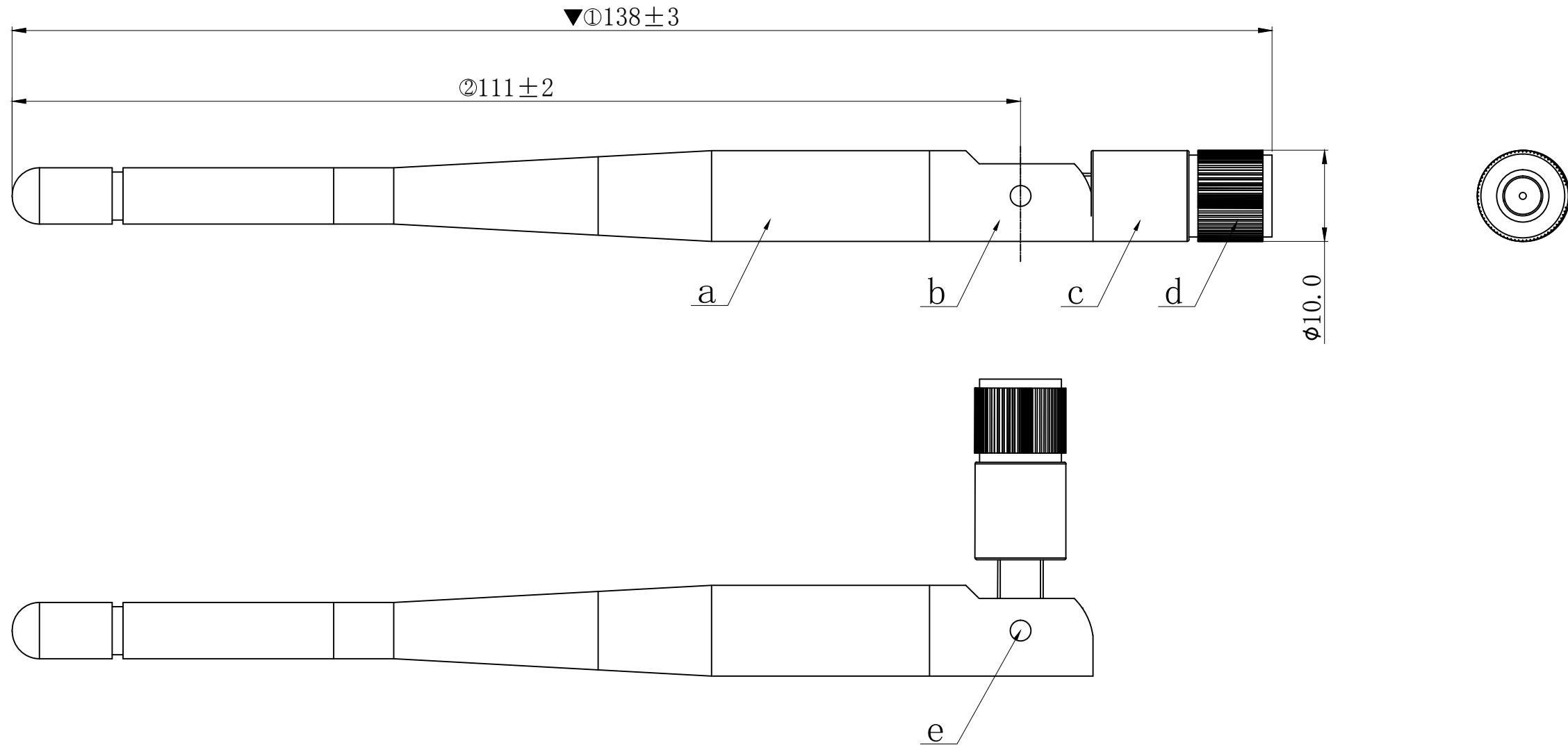
频段范围/Frequency Range	2400-2483 MHz
输入阻抗/Input Impedance	50 Ω
电压驻波比/VSWR	≤ 2.0
增益/Gain	3.0 dBi
极化形式/Polarization	Vertical
功率容量/Power	10W
接口形式/Connector Type	SMA-Male

Mechanical Specification/机械指标

尺寸 (Dimensions)	OD10*(138 \pm 3) mm
颜色 (Color)	白色 White
电缆 (Cable)	N/A
形状特性 (Shape feature)	可弯折 Can be bent
工作温度 (Operating Temperature)	-40 $^{\circ}$ C \sim +80 $^{\circ}$ C
储存温度 (Storage Temperature)	-40 $^{\circ}$ C \sim +85 $^{\circ}$ C



REV.	ECN NUMBER	DESCRIPTION	DATE	DRAWN	CHECKED	APPROVED
X1		FIRST RELEASE	12/18' 21	DDB		Baoxing.niu



NOTES:

1. Material: can be found in the lower right corner.
2. Marked with "▼" for QC key size detection.
3. HSF Shall conform to the standard
<QE-Q-19-001 environmental hazardous substances management>.
4. Frequency Range:2400-2483 MHz
Gain:3 dBi
VSWR:2.0 Max

e	Boby-4	1	OD1.7*3.7mm, POM, White
d	Connector	1	SMA-J, White, POM
c	Boby-3	1	OD9.5*18.5mm, PC+ABS, White
b	Boby-2	1	OD9.5*21 mm, ABS, White
a	Boby-1	1	OD10.*103 mm, TPEE, White
ITEM	PART NAME	Q' TY	MATERIAL / FINISH



ELECTRIC
CONNECTOR
TECHNOLOGY

GENERAL TOLERANCE	
XX. \pm 2.00	XX. $^{\circ}$ \pm 3 $^{\circ}$
X. \pm 1.00	X. $^{\circ}$ \pm 2 $^{\circ}$
.X \pm 0.50	.X $^{\circ}$ \pm 1 $^{\circ}$

SCALE:	1:1
UNIT:	mm
SIZE:	A4

DRAWN:	DDB
CHECK:	
APPROVE:	
DATE:	18/12' 21
DATE:	
DATE:	

DWG. NO:	600-U225-01
PARTS NO. (INTENDED USE):	81800U225

TITLE:	2.4G Antenna
--------	--------------

REV.	X1
SHEET:	1/1