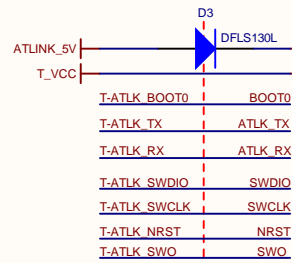
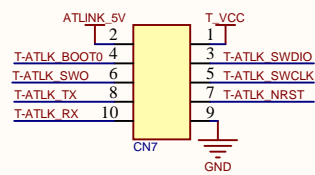
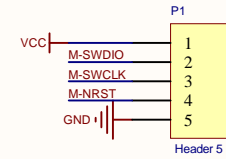


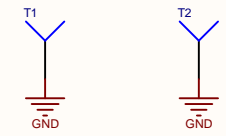
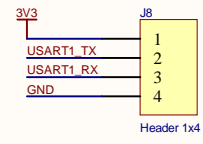
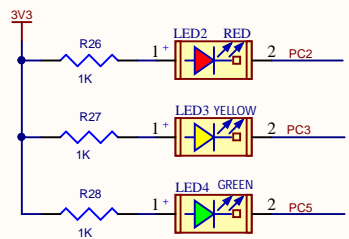
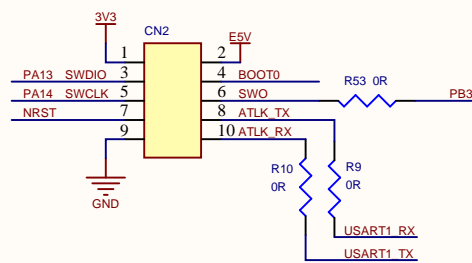
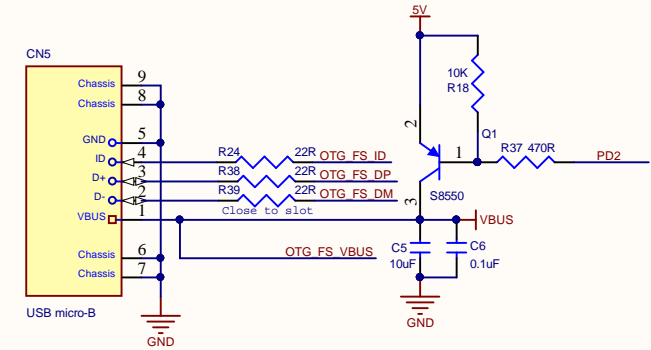
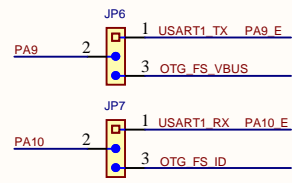
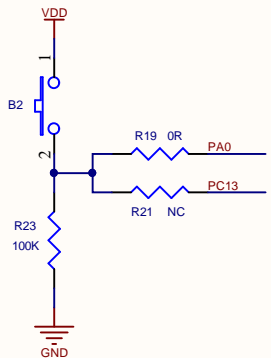
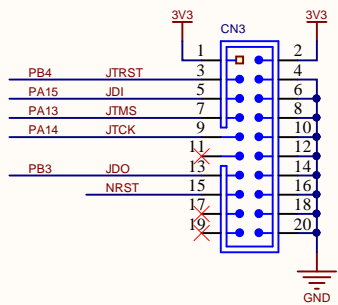
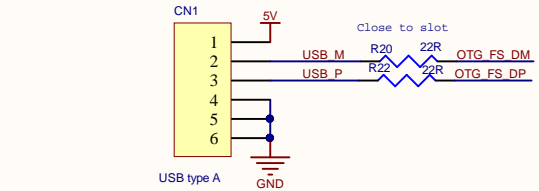
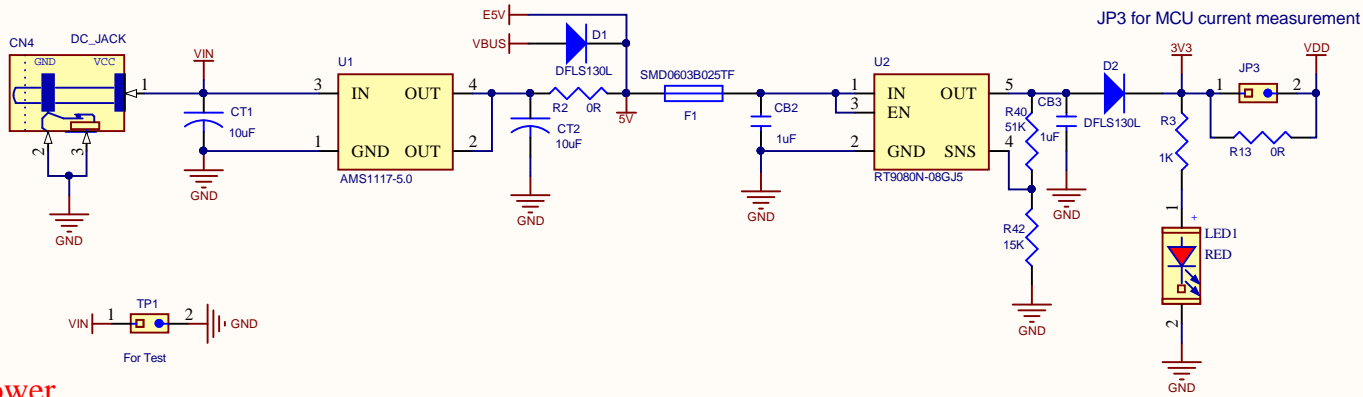
LD1-4: For AT-Link-EZ status



AT-Link EZ CN7 to AT-START CN2 connection



Artery Technology Corp.		
Project:	Title: AT-LINK EZ	
Date: 2020/11/18	Sheet: 1 of	Rev: V1.2



Artery Technology Corp.		
Project: AT-START-F415	Title: Power & Peripherals	
Date: 2020/11/19	Sheet: 3 of 4	Rev: V1.3

1

2

3

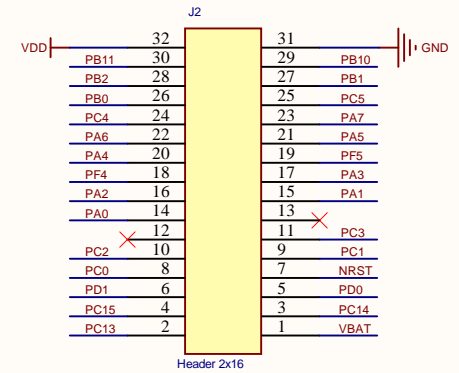
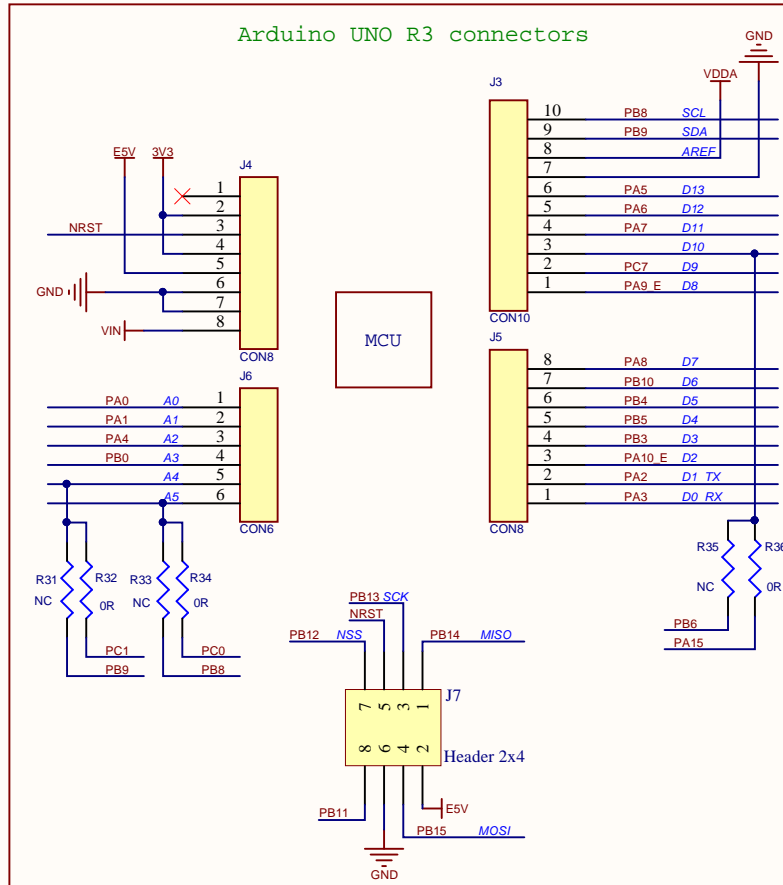
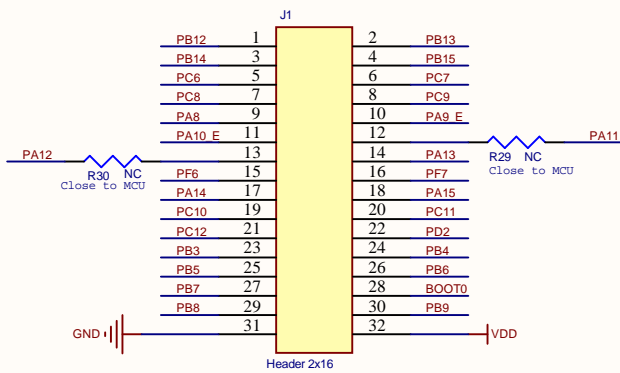
4

1

2

3

4



Extension connectors

Artery Technology Corp.		
Project: AT-START-F415	Title: Extension connectors	
Date: 2020/11/19	Sheet: 4 of 4	Rev: V1.3