

1

2

3

4

5

6

7

FOR
客户名称APPROVED
客户确认签字ATTN
销售负责人

A

B

C

D

E

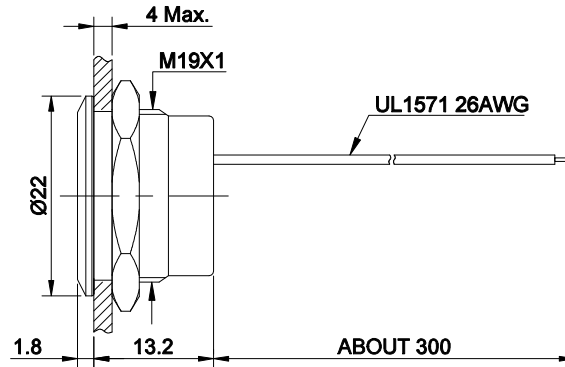
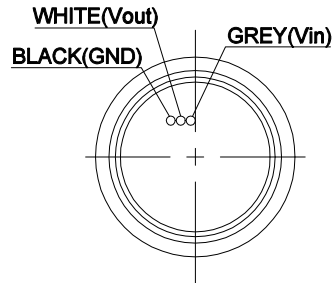
A

B

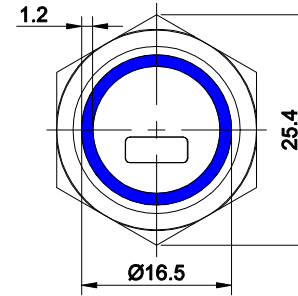
C

D

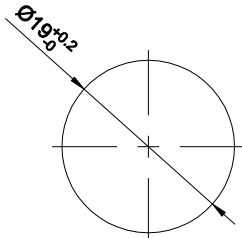
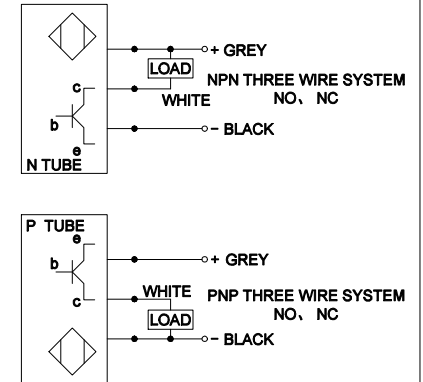
E



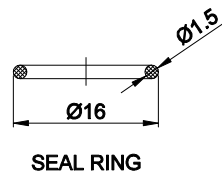
THE SHADED PART IS ILLUMINATED



PRODUCT OUTPUT WIRING DIAGRAM



PANEL CUTOUT



SEAL RING

PART NUMBER: ONPOW9219◇E□YSSNB▲

"◇"	SWITCH FUNCTION	"□"	SWITCH TYPE	"▲"	LAMP VOLTAGE
10Z	NORMALLY OPEN LATCHING	N	N LOW LEVEL(NPN) OUTPUT	6V	DC 6V
10	NORMALLY OPEN MOMENTARY	P	HIGH LEVEL(PNP) OUTPUT	12V	DC 12V
NORMALLY CLOSED TO BE CUSTOMIZED)				24V	DC 24V

SPECIFICATIONS:

- QUIESCENT CURRENT: $\leq 3\text{mA}$.
- OUTPUT CURRENT: 500mA.
- SENSING DISTANCE: 1 ~ 5cm, UNDER 8cm CAN BE CUSTOMIZED.
- DETECTION FREQUENCY: 9 cycles/s.
- WORKING ILLUMINATION CONDITION:
UNDER THE SUN < 10000LX;
UNDER INCANDESCENT LAMP < 3000LX.
- WORKING TEMPERATURE:
STORAGE TEMPERATURE: $-40\text{ }^{\circ}\text{C} \sim +80\text{ }^{\circ}\text{C}$;
OPERATION TEMPERATURE: $-25\text{ }^{\circ}\text{C} \sim +75\text{ }^{\circ}\text{C}$.
- WORKING HUMIDITY:
STORAGE HUMIDITY: 35%~95%KH;
OPERATION HUMIDITY: 45%~85%.
- WITHSTAND VOLTAGE: 1.5KV 50~60Hz 1 min.
- PROTECTION DEGREE: IP68.
- GENERAL TOLERANCE: 0-18mm= ± 0.25 , 18-80mm= ± 0.52 .

MATERIALS:

- HEAD: STAINLESS STEEL/PC.
- BODY: STAINLESS STEEL.

BRAND 品牌

ONPOW 欧宝龙®

红波按钮制造有限公司

ONPOW PUSH BUTTON MANUFACTURE CO.,LTD.

TITLE 名称	CONTACTLESS SENSOR SWITCH		UNIT 单位	mm
DWG NO. 图号	ONPOW9219-E	SCALE 比例	1.2 : 1	SIZE 图纸
FILE NAME 档案名称	ONPOW9219-E _DWG	DRAWN 制图	YDY 2022/08/04	SHEET 张
			1/1	REV. 更改
				1

1

2

3

4

5

6

7