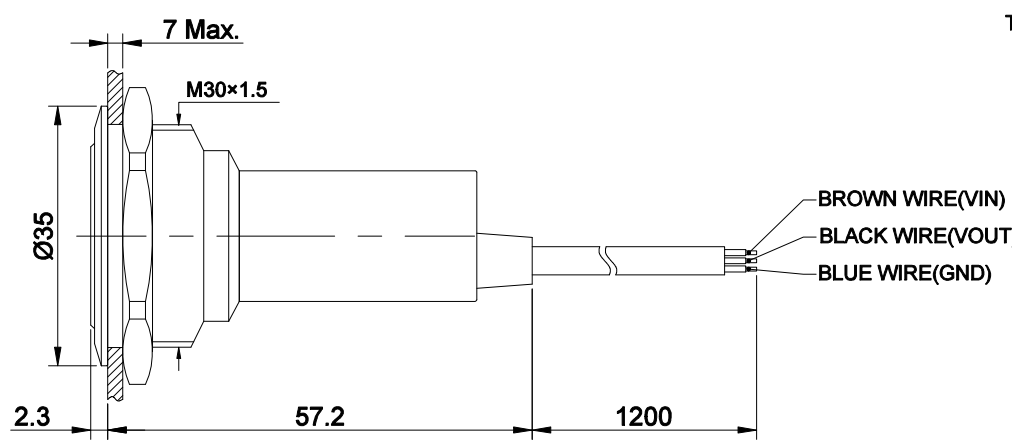
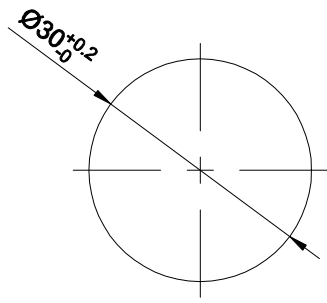
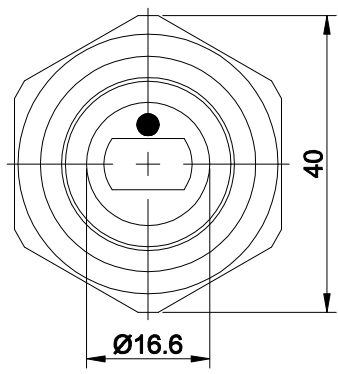


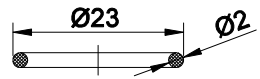
FOR 客户名称	APPROVED 客户确认签字	ATTN 销售负责人



THE SHADED PART IS ILLUMINATED



PANEL CUTOUT



SEAL RING

Part Number: ONPOW91-30D□YSS△▲

"□"	Electrical Function
10B	NO Momentary (Low Level)
Other function can be made to order	

"△"			
1 LED		2 LED	
NR	Non-illum./Red	RG	Red/Green
NG	Non-illum./Green	GR	Green/Red
Other LED can be made to order			

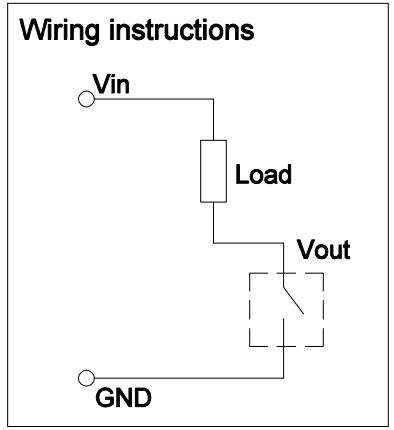
"▲"	Lamp Voltage
6V	DC 6V
12V	DC 12V
24V	DC 24V

SPECIFICATIONS:

1. Switch Rating: DC6~24V/300mA.
2. Life: ≥1,000,000cycles.
3. Reaction Distance: 2~15cm.
4. Operation mode: NO Momentary.
5. Insulation Resistance: ≥100MΩ(500VDC).
6. Dielectric Strength: 1,500V, RMS 50Hz, 1min.
7. Operating Temperature: -15°C~ +55°C(No Freezing).
8. Torque: About 0.6Nm max.applied to nut.
9. Protection degree: IP65.
10. Terminal Type: Sheltered cable.

MATERIALS:

1. Head: PMMA.
2. Body: Stainless Steel.



BRAND 品牌		红波按钮制造有限公司		
ONPOW 欧宝龙®		ONPOW PUSH BUTTON MANUFACTURE CO.,LTD.		
THESE DRAWINGS AND SPECIFICATIONS ARE THE PROPERTY OF ONPOW PUSH BUTTON MANUFACTURE CO.,LTD. AND SHALL NOT BE REPRODUCED COPIED OR USED IN ANY MANNER WITHOUT THE PRIOR WRITTEN CONSENT OF ONPOW PUSH BUTTON MANUFACTURE CO.,LTD.		USED 用途	APPD 审核	CH 2020/06/17
		FINISH 处理	CHKD 校对	NCH 2020/06/17
		SCALE 比例	UNIT 单位	DR. 制图
		1.2 : 1	mm	ZPD 2020/06/17
DIMENSIONS		TOLERANCE		TITLE 名称
0.00 TO 3.00mm		±0.25mm		Contactless sensor switch
3.01 TO 6.00mm		±0.30mm		DWG NO.
6.01 TO 10.00mm		±0.36mm		图号
10.01 TO 18.00mm		±0.43mm		ONPOW91-30D低电平
18.01 TO 30.00mm		±0.52mm		SIZE 图纸
30.01 TO 50.00mm		±0.62mm		A4
50.01 TO 80.00mm		±0.74mm		FILE NAME
Government standard: GB/T 1800.1-2009;		档案名称		ONPOW91-30D.DWG
Grade of tolerance: IT14.		SHEET 张	1 / 1	REV. 更改
				1