



承认书

APPROVAL SHEET

客户名称(Customer): Maritex PHP.Sp. z o.o.Sp.k

产品名称(Part Name): 压敏电阻 Zinc Oxide Varistor

产品规格(Model/Type): FNR-20K621

风华物料号(FENGHUA NO.): FNR20K621BASN1NN

客户物料号(Customer NO.): _____

版本号(Version): 20220808

日期(Date): 2022.08.08

制造			客户		
Approval			Approval		
拟制	审核	批准	检验	审核	批准
DRAFTER	CHECK	APPROVER	IQC	CHECK	APPROVER
梁丽颜	黄杰萍	黄浩昌			



修订履历

Modify resume

日期 Date	版本号 Version number	描述 Describe	作者 Writer
2022.08.08	20220808	新拟制 New Issue.	梁丽颜



序号 No	目 录 TABLE OF CONTENTS
1.0	概述 Summary
2.0	结构及尺寸 Structure And Dimensions
3.0	订货方式 How To Order
4.0	电气性能 Performance Specification
5.0	可靠性 Reliability Data
6.0	包装 Package
7.0	环保情况说明 Environmental Protection Statement
8.0	推荐使用的焊接曲线 Recommended soldering profile
9.0	贮存方法 Storage Methods
10.0	使用注意事项 Precautions For Use



1.0 概述 Summary

产 品 性 能 Product performance

氧化锌压敏电阻器是以氧化锌为主要材料制造的半导体无极性电子陶瓷元件。

当施加在压敏电阻器两端的电压达到某一阈值时，压敏电阻器的电阻值迅猛变小，

从而在电子（电力）线路上起降压作用，达到保护其它元器件的目的。

Zinc Oxide Varistor are non-linear resistors utilizing semiconductor ceramic element which mainly composed of zinc oxide. When the applied voltage on both termination reach the surge value, the voltage of electronic circuit would be reduced to protect the other components.

1.1 氧化锌压敏电阻特性如下图：

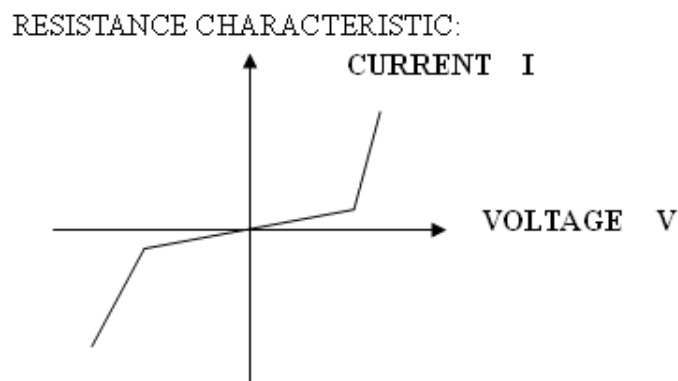


图 1 氧化锌压敏电阻电压 — 电流特性曲线
ZINC OXIDE VARISTOR VOLTAGE-CURRENT CHARACTERISTIC CURVE



2.0 结构及尺寸 Structure And Dimensions

单位:mm

UNIT:mm

规格型号 TYPE	D Max	ϕd ± 0.08	W ± 0.5	H Max	T Max	L Min
FNR-20K621	23.0	1.0	10.0	26.0	7.3	10.0

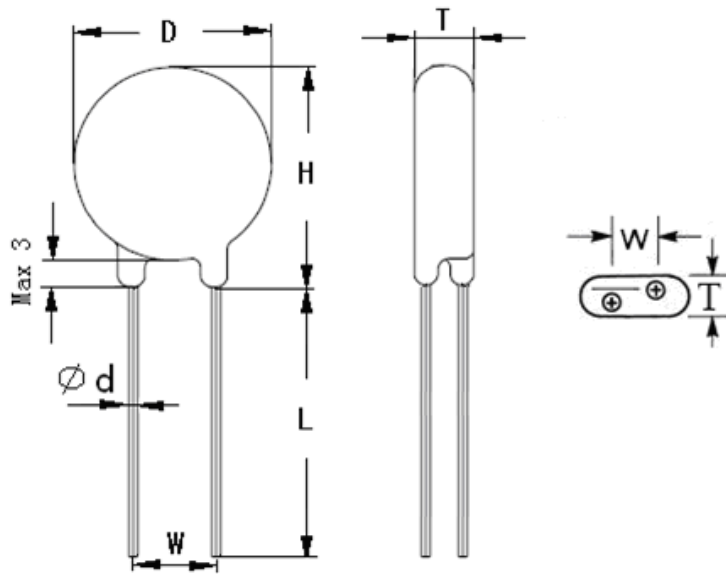
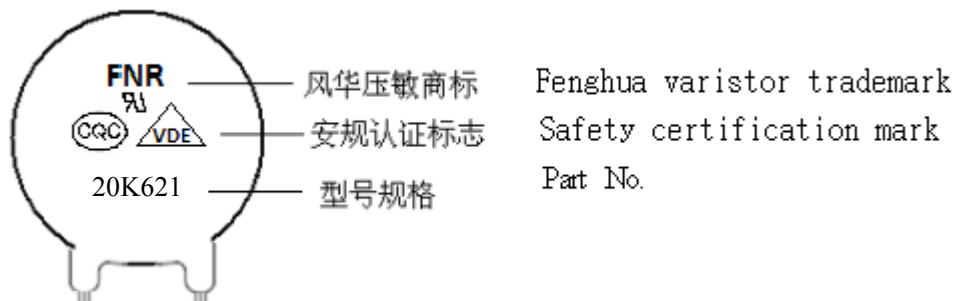


图 2

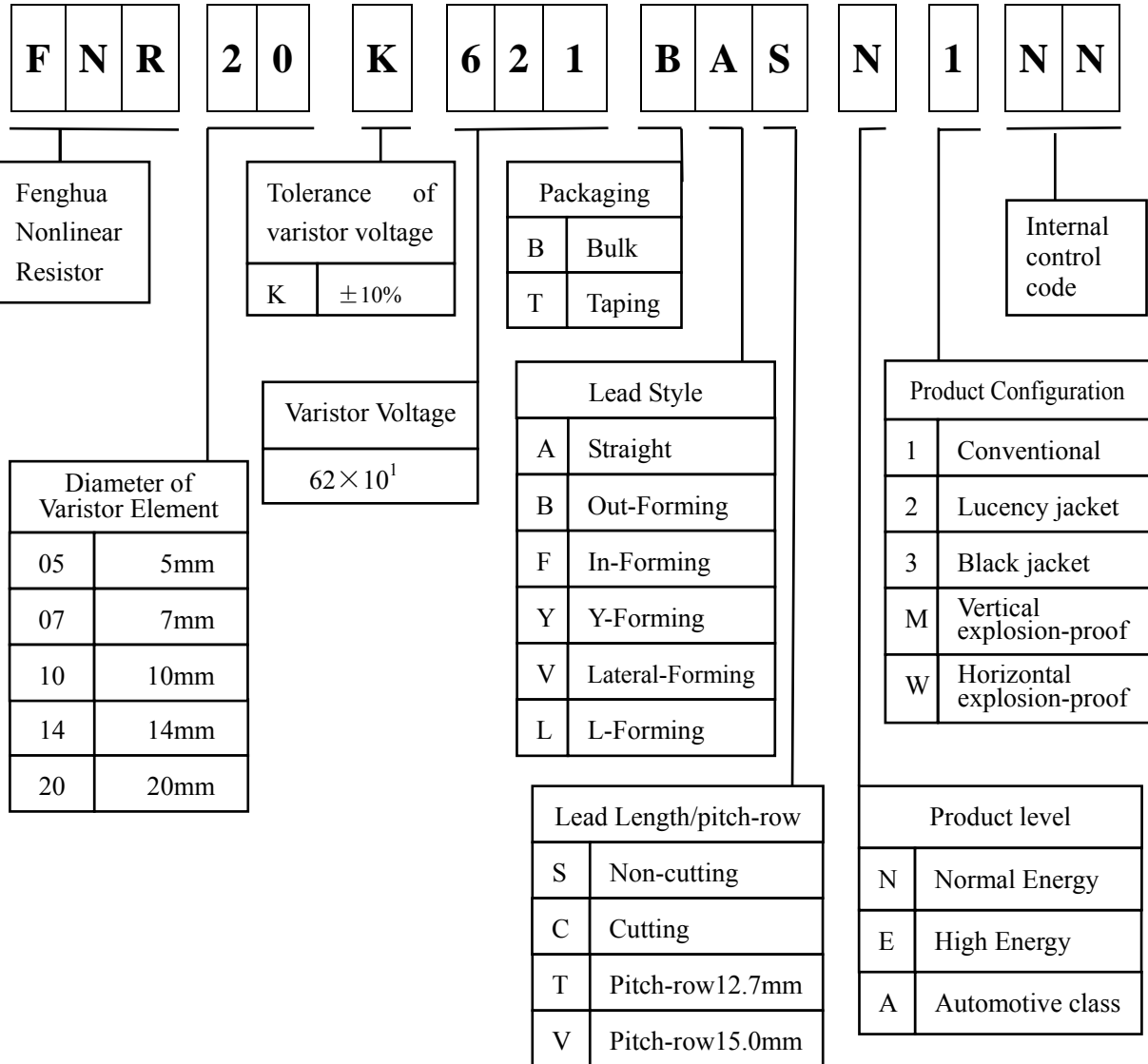
Graph 2

2.1 本体标识说明 Marking on Products





3.0 订货方式 How To Order



3.1 安规认证 Safety certification

Safety certification 安规认证	Certification number 证书编号
UL	VZCA2.E325462
VDE	40008242
CQC	05K: CQC14001111451
	07K: CQC14001111447
	10K: CQC14001111568
	14K: CQC14001111589
	20K: CQC14001111567



4.0 电气性能 Performance Specification

4.1 技术参数 Technical parameters

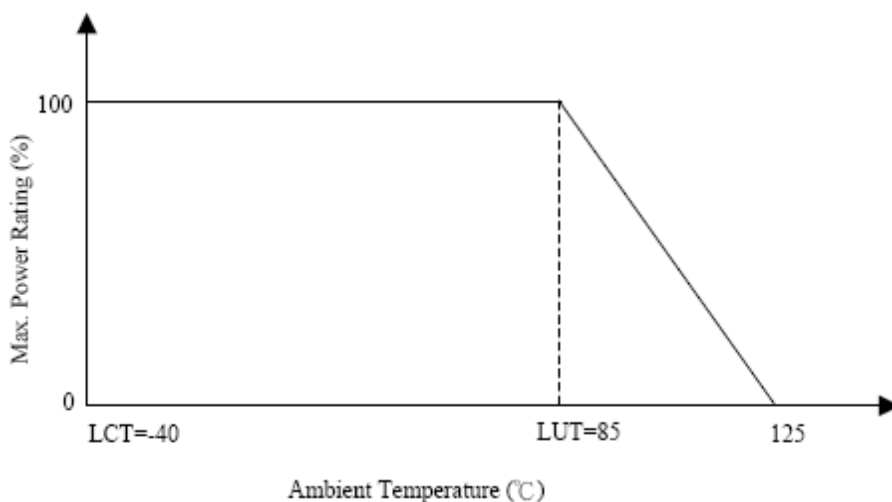
型号规格 Part No.	压敏电压 Varistor Voltage	最大允许使用电压 Max. Allowing Voltage		最大限制电压 Max. Clamping Voltage		最大通流容量 (8×20μS) Max. Withstanding Surge Current
	V _{1mA} (v)	Ac (v)	Dc (v)	V _c (v)	I _p (A)	1 Times
FNR-20K621	620 (558~682)	385	505	1025	100	6.5KA

型号规格 Part No.	能量耐量 Energy 2mS	额定功率 Rated Wattage	静态电容量 (参考值) Typical Capacitance	工作温度 Operating Temperature	存储温度 Storage Temperature
	(J)	W	Pf	°C	°C
FNR-20K621	195	1.0	500	-40~85	-40~125

4.2 功率降额曲线 Power Derating Curve

在室温下操作超过85℃功率会按下图降级。

For operation at ambient temperature in excess of 85℃, the power should be derated in accordance with below figure.





5.0 可靠性 Reliability Data

序号 NO	项目 Item	测试方法 Test method	特性 Performance
5.1	最大允许使用电压 Maximum allowable voltage	在使用温度范围内，连续施加在元件上，波形基本上是正弦波的最大交流电压和最大直流电压。 The maximum sine wave Voltage(rms) that can be applied continuously or maximum DC Voltage in the specified environmental temperature range.	参见 4.0 电气性能 Performance Specification
5.2	压敏电压 Varistor Voltage	在规定直流下所测得压敏电阻器两端电压 Voltage between both terminals of FNR measured when crmA of DC current is applied under standard conditions it is calledvc measuring. The Varistor Voltage should be made promptly to avoid heat affection.	参见 4.0 电气性能 Performance Specification
5.3	限制电压 Clamping Voltage	在规定 8/20 μ S 冲击电流施加在压敏电阻器上时，其引出端间出现的电压峰值。 The maximum Voltage between two terminals with the specified standard impulse current (8/20 μ S)	参见 4.0 电气性能 Performance Specification
5.4	最大通流容量 Maximum peak current (withstanding surge current)	在规定环境温度下，对于规定的脉冲次数而言，压敏电阻器中允许通过的每个规定脉冲的最大电流值。 The maximum current within the varistor voltage change of $\pm 10\%$ with the standard impulse (8/20 μ S) applied by the specified condition.	参见 4.0 电气性能 Performance Specification $ \Delta V/V \leq 10\%$
5.5	能量耐量 Maximum energy	在规定的最大冲击电流冲击下，压敏电压冲击前后变化率 $\leq \pm 10\%$ The maximum energy within the Varistor Voltage change of $\pm 10\%$ when the specified impulse is applied.	参见 4.0 电气性能 Performance Specification $ \Delta V/V \leq 10\%$
5.6	电压温度系数 Temperature coefficient of varistor Voltage	在规定温度下显示压敏电压的变化值。 Coefficient indicating dependency of Varistor Voltage on Specified temperature.	$TCR \leq \pm 0.05\%/^{\circ}C$
5.7	静态电容量 Capacitance	在环境温度为 $20 \pm 2^{\circ}C$ ，测试频率为 $1KHz \pm 10\%$ ， $1V_{rms}$ (max) 下所测得的介电损失。 Dielectric loss tangent shall be measured at $1KHz \pm 10\%$, $1V_{rms}$ max bias and $20 \pm 2^{\circ}C$.	参见 4.0 电气性能 Performance Specification



5.0 可靠性 Reliability Data

序号 NO	项目 Item	测试方法 Test method	特性 Performance																				
5.8	端子强度 Terminal strength	<p>端子抗拉强度 沿压敏电阻器端子引线方向施加固定重力*1N 10 秒钟。</p> <table border="1"> <tr> <td>引线直径 Φ</td> <td>0.5</td> <td>0.6</td> <td>0.8</td> <td>1.0</td> </tr> <tr> <td>拉力 N</td> <td>5.0</td> <td colspan="2">10</td> <td>20</td> </tr> </table> <p>端子抗弯强度: 在压敏电阻器引线施加固定重力*2N, 然后, 在引出端长度一半处变折 90° 后回到原位, 再向相反方向弯折 90° 后回到原处。 上述过程在 2~3 秒内完成。</p> <table border="1"> <tr> <td>引线直径 Φ</td> <td>0.5</td> <td>0.6</td> <td>0.8</td> <td>1.0</td> </tr> <tr> <td>拉力 N</td> <td>2.5</td> <td colspan="2">5</td> <td>10</td> </tr> </table> <p>Tensile strength of termination: After gradually applying the specified load and keeping the unit fixed for ten seconds, the terminal shall be visually examined for any damage. Bending strength of termination: The unit shall be secured with its terminals kept vertical and the specified load is applied, gradually bent by 90° in on direction, back to the original position, then 90° in the opposite direction, and again back to the original position. The damage of the terminals is visually examined.</p>	引线直径 Φ	0.5	0.6	0.8	1.0	拉力 N	5.0	10		20	引线直径 Φ	0.5	0.6	0.8	1.0	拉力 N	2.5	5		10	外观无可见损伤。 No outstanding damage.
引线直径 Φ	0.5	0.6	0.8	1.0																			
拉力 N	5.0	10		20																			
引线直径 Φ	0.5	0.6	0.8	1.0																			
拉力 N	2.5	5		10																			
5.9	振动试验 Resistance Vibration	<p>在重复进行一个单一谐振（振幅：0.75mm，频率范围：10~55Hz）循环 3 次持续时间 3 小时后,检查压敏电阻。 After repeatedly applying a single harmonic vibration (amplitude; 0.75mm; double amplitude; 1.5mm with 1 minute vibration frequency cycles (10Hz~55Hz~10hZ) to each of three perpendicular directions for 2 hours. The varistor shall then be visually examined.</p>	<p>1、外观无可见损伤。 No outstanding damage. 2、$\Delta V/V \leq 5\%$</p>																				
5.10	可焊性 Solderability	<p>方法：槽焊法 焊锡温度：235±5℃ 浸入时间：2±0.5 秒 浸入深度：至引线根部 1.5~2.0mm 浸入速度：25±2.5mm/sec Solder bath method Temperature of solder: 235±5℃ Dipping Time: 2±0.5ses. Depth of immersion: up to 1.5~2.0mm from the root of the lead wire covered with thermal screen. Speed of immersion:25±2.5mm/sec.</p>	<p>上锡面积大于所浸总面积的 95%，且上锡面不应集中在一处。 Minimum 95% of the terminals should be covered with solder niformly.</p>																				



5.0 可靠性 Reliability Data

序号 NO	项目 Item	测试方法 Test method	特性 Performance
5.11	耐溶剂性 Permanency of marking	70%的 1.1.2 三氯三氟乙烷和 30%的异丙醇的混合物；室温，浸渍 5min；用脱脂棉在正反两方向各擦拭 5 次，共 10 次 70±5% Diethylenglycoldibutylether, 30±5% 2-propanol). Rubbing material: Cotton wool F = 5±0,5 N, 10 strokes	无损伤、标志清楚，容易辨认。There shall be no damage and legibly marked. Marking can be deciphered easily. $ \Delta V/V \leq 5\%$
5.12	耐焊接热 Resistance to soldering heat	槽焊法 焊锡温度：260±5℃ 浸入时间：10±1 秒 浸入深度：至引线根部 1.5~2.0mm 浸入速度：25±2.5mm/sec Solder bath method Temperature of solder: 260±5℃ Dipping Time: 10±1ses. Depth of immersion: up to 1.5~2.0mm from the root of the lead wire covered with thermal screen. Speed of immersion: 25±2.5mm/sec.	$ \Delta V/V \leq 5\%$
5.13	稳态湿热 Resistance to damp heat (steady state)	试验温度：40±2℃ 试验时间：1000h 相对湿度：90~95%RH 试验后，电阻器在标准大气条件下 1~2 小时，然后测试参数。 Test Temperature: 40±2℃. Test time: 1000h Relative humidity: 90~95%. After completion of test, the varistor shall be subjected to standard atmospheric conditions for 1 to 2 hours. After which measurements shall be made.	1、外观无可见损伤。 No outstarding damage 2、 $ \Delta V/V \leq 10\%$
5.14	上限类别温度耐久性 High temperature load	施加电压：最大连续直流或交流电压。 试验温度：85±2℃ 试验时间：1000h After being continuously applied the maximum allowable voltage at 85±2℃ for 1000 hours, the specimen shall be stored at room temperature and humidity for 1 to 2 hours. Thereafter, the change of Vc shall be measured.	1、外观无可见损伤。 No outstarding damage. 2、 $ \Delta V/V \leq 10\%$

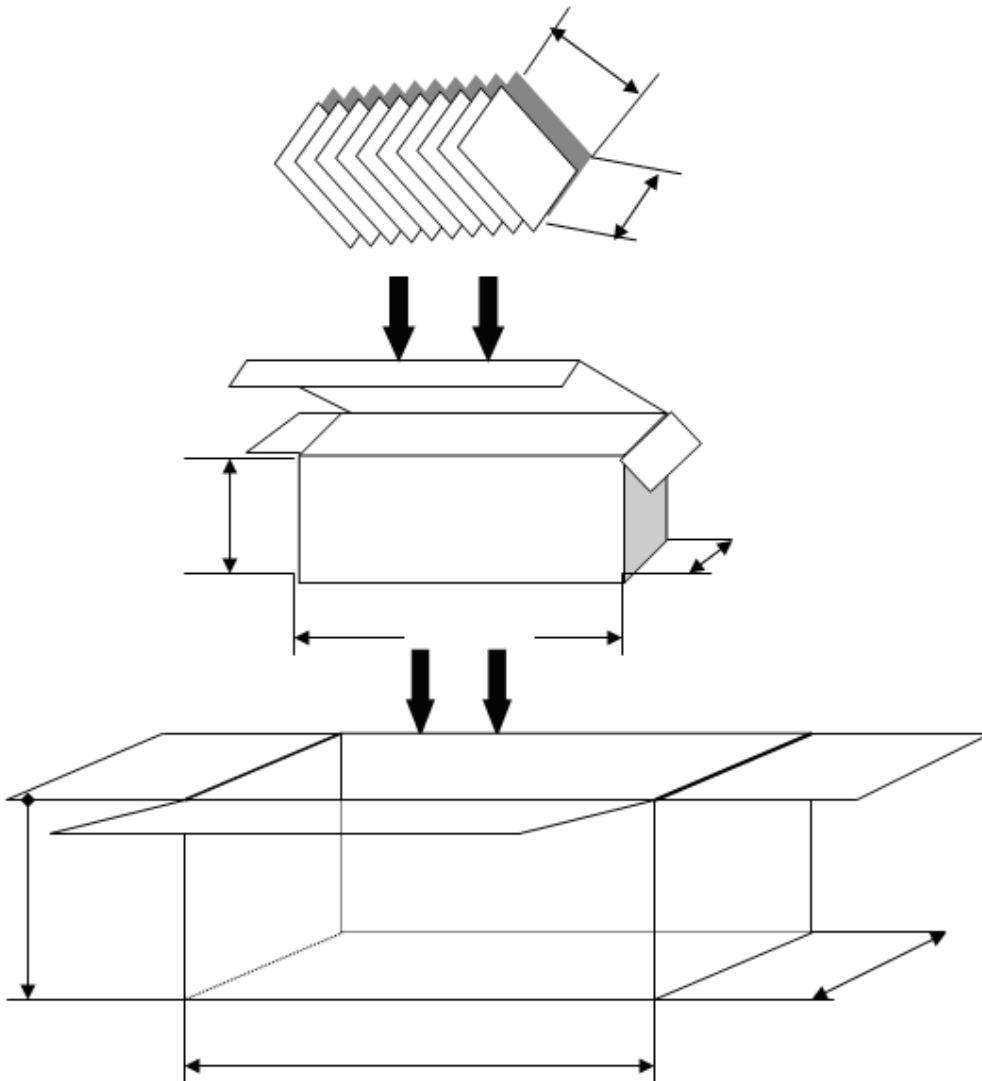


5.0 可靠性 Reliability Data

序号 NO	项目 Item	测试方法 Test method	特性 Performance															
5.15	高温贮存试验 Shelf life test	<p>在 125±2℃ 环境下无负荷贮 1000h。 The Zinc oxide varistor are then stored with no voltage applied at a temperature of 125±2℃ for 1000h.</p>	<p>1、外观无可见损伤。 No outstarding damage 2、$\Delta V/V \leq 5\%$</p>															
5.16	温度快速变化 Temperature cycling	<p>温度循环应重复 5 次，并在室温和湿度下保存 1 至 2 小时。检查 VC 和机械损伤的变化。 The temperature cycling shall be repeated 5 times and stored at room temperature and humidity for 1 to 2 hours. The change of Vc as well as mechanical damage shall be examined.</p> <table border="1"> <thead> <tr> <th>Step</th> <th>Temp.</th> <th>Period</th> </tr> </thead> <tbody> <tr> <td>1</td> <td>-40±3℃</td> <td>30min</td> </tr> <tr> <td>2</td> <td>Room Temp.</td> <td>15min</td> </tr> <tr> <td>3</td> <td>+85±2℃</td> <td>30min</td> </tr> <tr> <td>4</td> <td>Room Temp.</td> <td>15min</td> </tr> </tbody> </table>	Step	Temp.	Period	1	-40±3℃	30min	2	Room Temp.	15min	3	+85±2℃	30min	4	Room Temp.	15min	<p>1、外观无可见损伤。 No outstarding damage. 2、$\Delta V/V \leq 5\%$</p>
Step	Temp.	Period																
1	-40±3℃	30min																
2	Room Temp.	15min																
3	+85±2℃	30min																
4	Room Temp.	15min																
5.17	低温贮存试验 Cold temperature storage	<p>在 -40±2℃ 环境下无负荷贮放 1000h。 The specimen shall be subjected to -40±2℃ without load for 1000 hours and then stored at room temperature for 1 to 2 hours. Thereafter, the change of Vc shall be measured.</p>	<p>1、外观无可见损伤。 No outstarding damage 2、$\Delta V/V \leq 5\%$</p>															
5.18	脉冲寿命 Impulse life	<p>固定冲击电流用 8/20μS 标准波冲击 10000 次，时间间隔 10S，恢复时间室温 1~2 小时。 After the specified impulse is applied 10000 times continuously with the interval 10 seconds at room temperature. The specimen shall be stored at room temperature and humidity for 1 to 2 hours. Thereafter,</p>	<p>1、外观无可见损伤。 No outstarding damage 2、$\Delta V/V \leq 10\%$</p>															



6.0 包装 Package



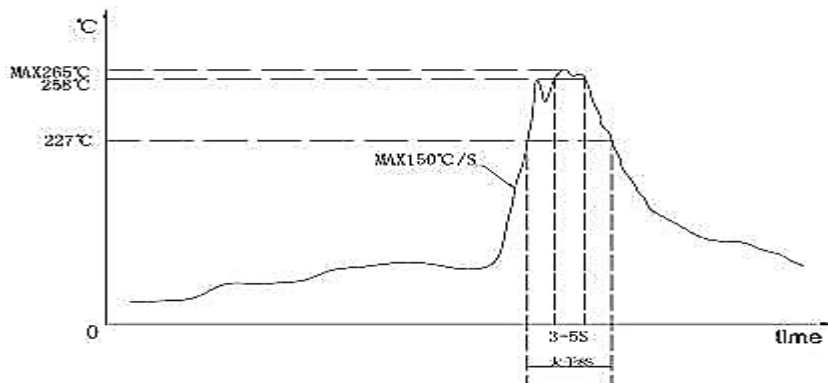
7.0 环保情况说明 Environmental Protection Statement

我司提供的所有压敏电阻物料均符合最新欧盟 ROHS 指令及 Reach 法规要求，请贵司放心使用。

We provide all varistor materials conform to the requirements of the latest eu ROHS directive and the Reach regulation, please rest assured to use.

8.0 推荐使用的焊接曲线 Recommended soldering profile

8.1 波峰焊接曲线要求 Wave soldering curve requirements:



注意:

- A) 焊接最高温度为 265°C，物料最大承受温度应满足在 265°C 5S 的焊接时间。
- B) 元件引脚能承受 150°C/S 的热冲击，且能循环 2 次以上。
- C) 插件元器件的本体塑封（塑胶部分）必须在 60-90 秒内耐 120°C 高温。
- D) 能保证在 227°C-265°C 承受 8S 连续焊接时间，258°C-265°C 5S 的焊接时间。

Note:

- A) the highest welding temperature is 265°C, and the maximum bearing temperature of the material should meet the welding time of 5S at 265°C.
- B) the pin of the component can withstand thermal shock at 150°C/S, and can cycle more than 2 times.
- C) the body plastic sealing (plastic part) of plug-in components must withstand the high temperature of 120°C within 60-90 seconds.
- D) it can guarantee the continuous welding time of 8S at 227°C-265°C and 5S at 258°C-265°C.

9.0 贮存方法 Storage Methods

元器件必须储存在清洁、通风、无腐蚀性气体的仓库内；除另有规定外，仓库的温度和相对湿度必须满足如下要求：a.温度：5~30°C；b 相对湿度：20%~75%；存储期限：1 年。

Components must be stored in a clean, ventilated, non-corrosive gases warehouse; Unless otherwise specified, the warehouse temperature and relative humidity must meet the following requirements: a.Temperature: 5 ~ 30 °C;b. Relative humidity: 20% ~ 75%; Period of Storage: 1 year.

10.0 使用注意事项 Precautions For Use

1、工作环境温度应该在技术条件规定的范围以内。

Working environment temperature should be within the prescribed scope of technical conditions.

2、不应该靠近发热或可燃元器件安装，最好有大于 3 毫米的间隔，以免损坏元器件。

Near a fever or flammable components should not be installed, it is better to have more than 3 mm intervals, so as not to damage the components.

3、接触引脚时请先佩戴手套。

Please wear gloves when the contact pin.