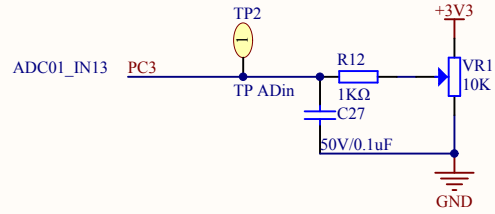
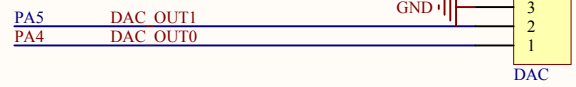


ADC



DAC

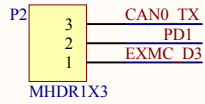
PA5 is an AFIO, please refer to SPI Schematic for right config



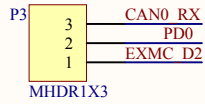
Company Name: GigaDevice		
File Name: AD_DA		
Revision: 1.0	Data: 2017-4	Author: XuFei

CAN

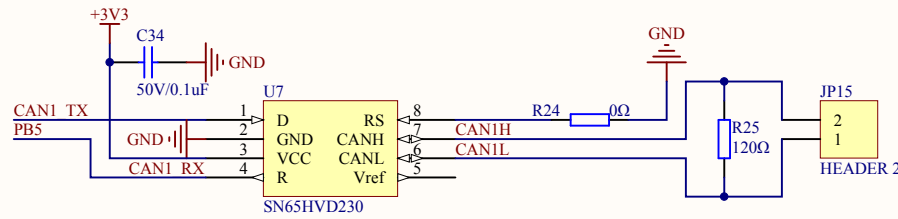
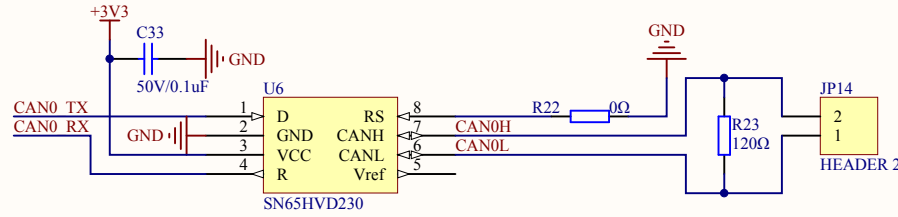
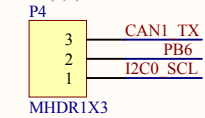
Short P2(1,2) for EXMC function
Short P2(2,3) for CAN0 function



Short P3(1,2) for EXMC function
Short P3(2,3) for CAN0 function



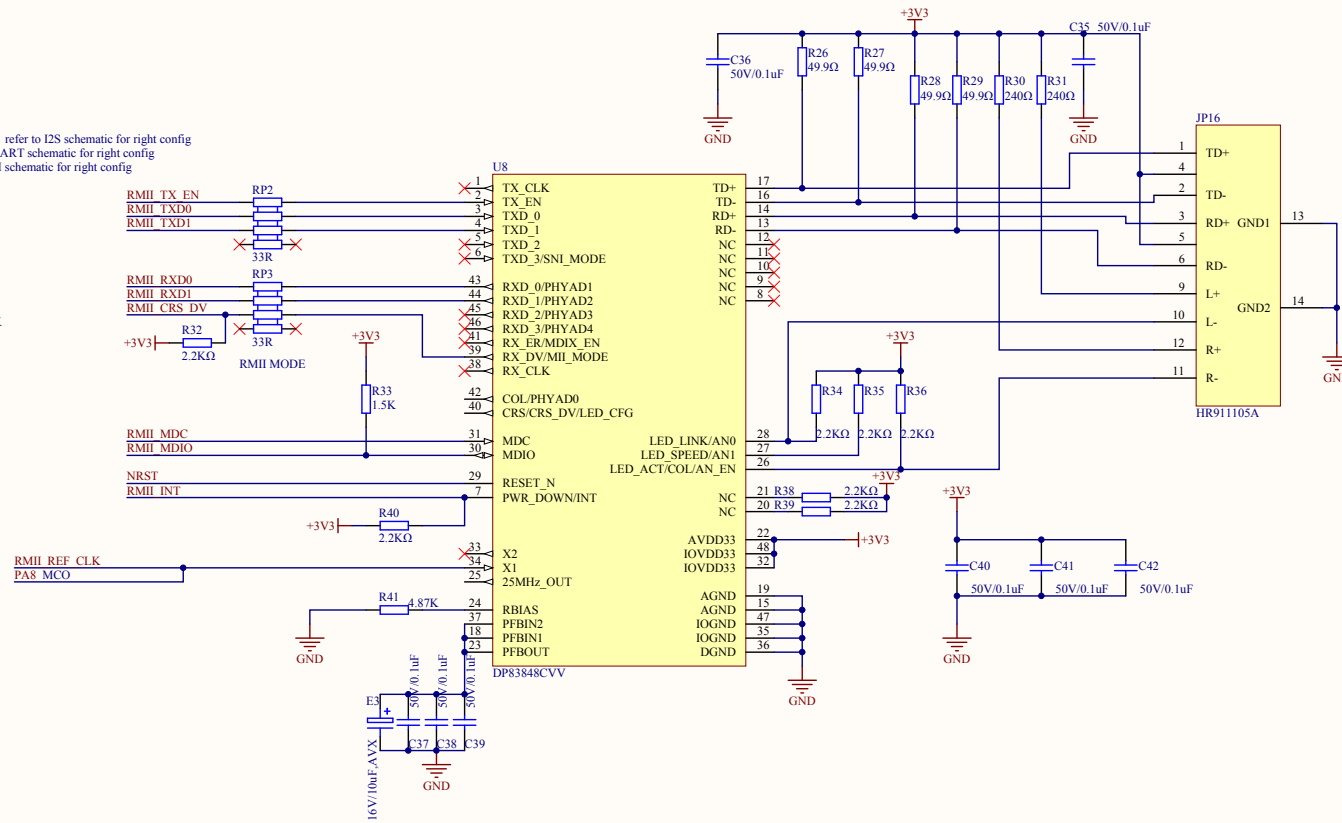
Short P4(1,2) for I2C0 function
Short P4(2,3) for CAN1 function



Company Name: GigaDevice		
File Name: CAN		
Revision: 1.0	Data: 2017-4	Author: XuFei

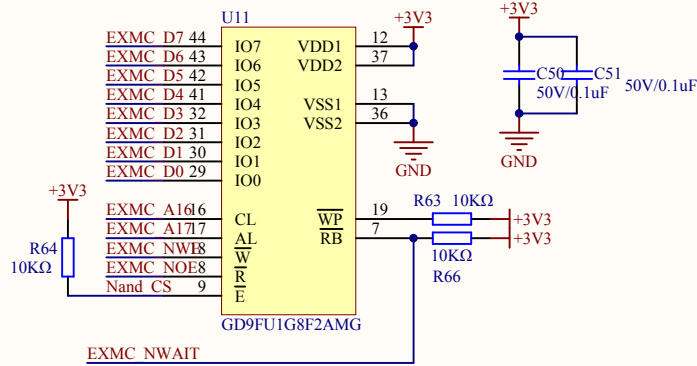
PB12 and PB13 are AFIOs refer to I2S schematic for right config
 PA2 is an AFIO, refer to USART schematic for right config
 PA7 is an AFIO, refer to SPI schematic for right config

- PB11 RMII TX_EN
- PB12 RMII TXD0
- PB13 RMII TXD1
- PC4 RMII RXD0
- PC5 RMII RXD1
- PA7 RMII CRS_DV
- PC1 RMII MDC
- PA2 RMII MDIO
- PB0 RMII INT
- PA1 RMII REF_CLK

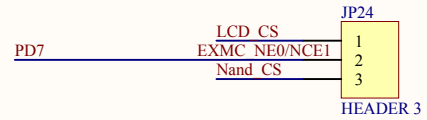
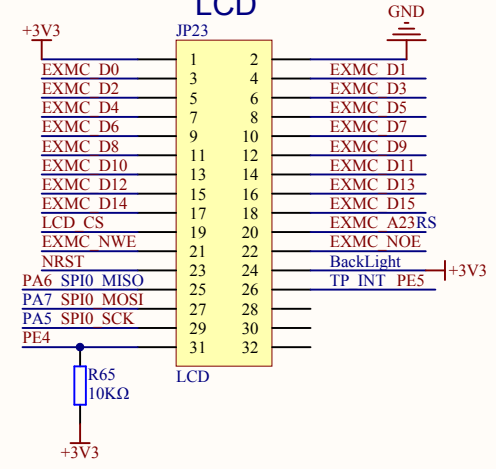


Company Name: GigaDevice		
File Name: Ethernet		
Revision: 1.0	Date: 2017-4	Author: Xufei

Nand Flash



LCD

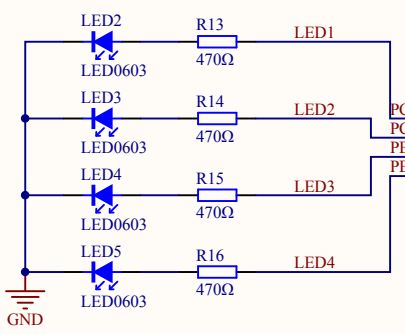


PD0,PD1 are AFIOs, please refer to CAN schematic for right config

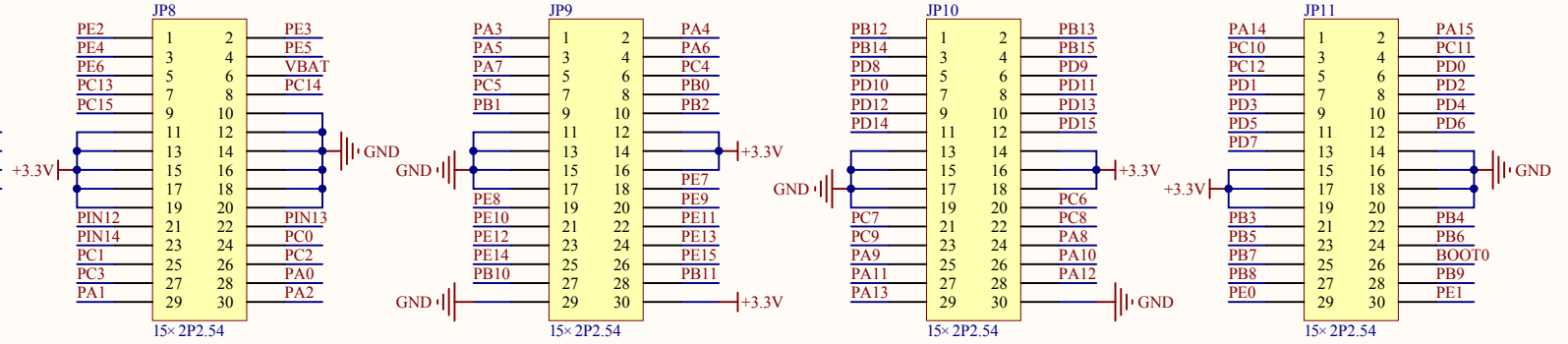
PD14	EXMC D0	PD11	EXMC A16
PD15	EXMC D1	PD12	EXMC A17
PD0	EXMC D2	PE2	EXMC A23
PD1	EXMC D3	PD4	EXMC NOE
PE7	EXMC D4	PD5	EXMC NWE
PE8	EXMC D5	PD6	EXMC NWAIT
PE9	EXMC D6		
PE10	EXMC D7		
PE11	EXMC D8		
PE12	EXMC D9		
PE13	EXMC D10		
PE14	EXMC D11		
PE15	EXMC D12		
PD8	EXMC D13		
PD9	EXMC D14		
PD10	EXMC D15		

Company Name: GigaDevice		
File Name: EXMC		
Revision: 1.0	Data: 2017-4	Author: XuFei

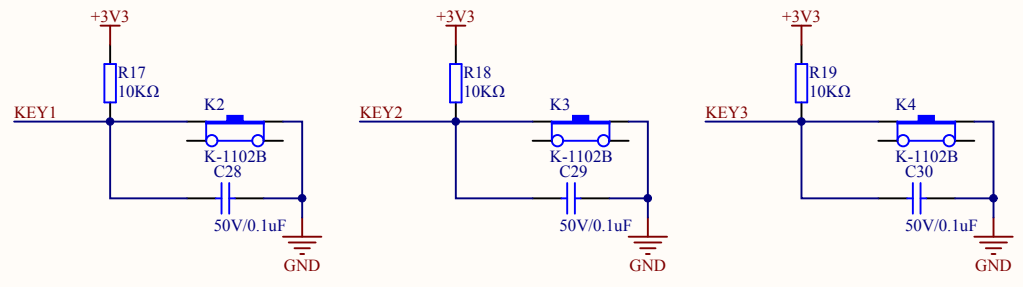
LED



Extension Pin



KEY



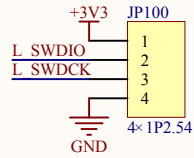
- PA0 KEY1
- PC13 KEY2
- PB14 KEY3

Company Name: GigaDevice

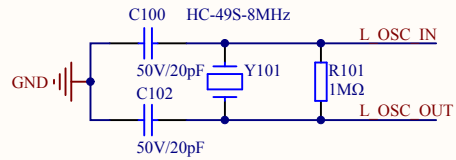
File Name: Extension

Revision: 1.0 Data: 2017-4 Author: XuFei

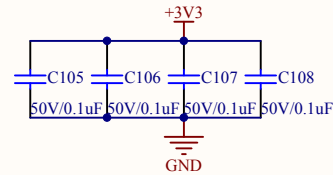
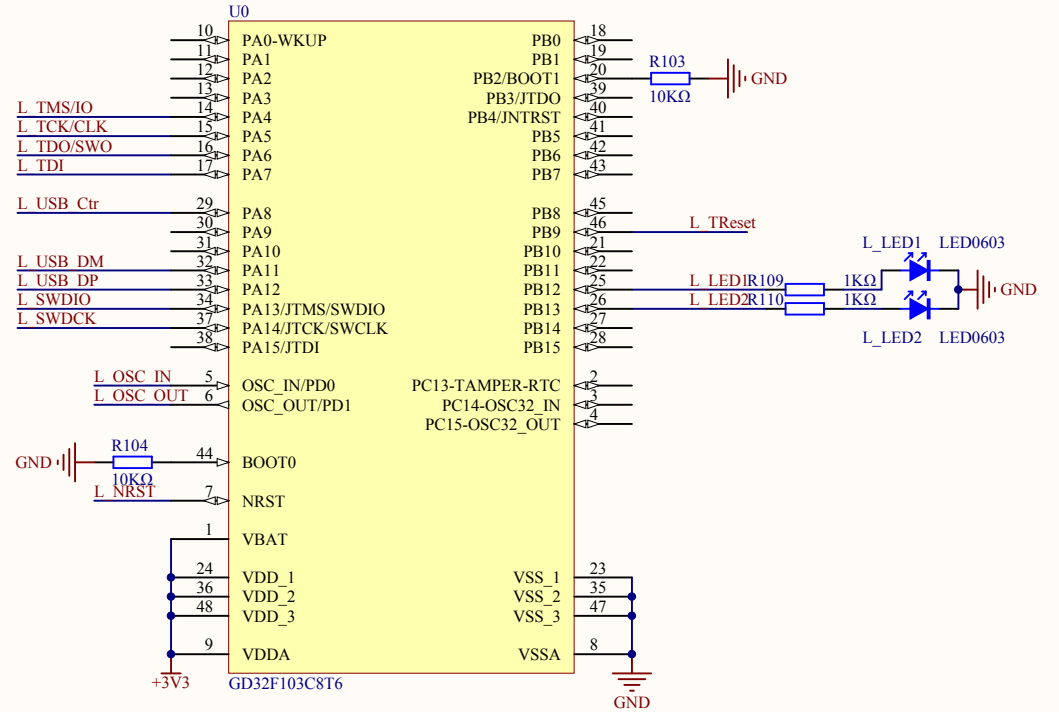
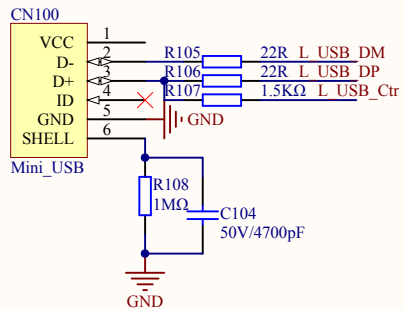
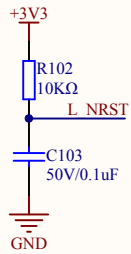
MCU SWD



HXTAL



Reset



Company Name: GigaDevice

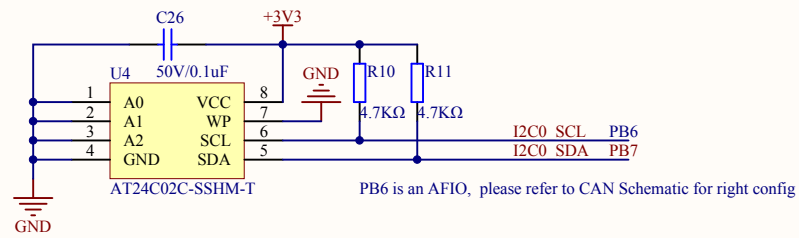
File Name: GDLink

Revision: 1.0

Data: 2015-01-09

Author: XuFei

I2C



Company Name: GigaDevice

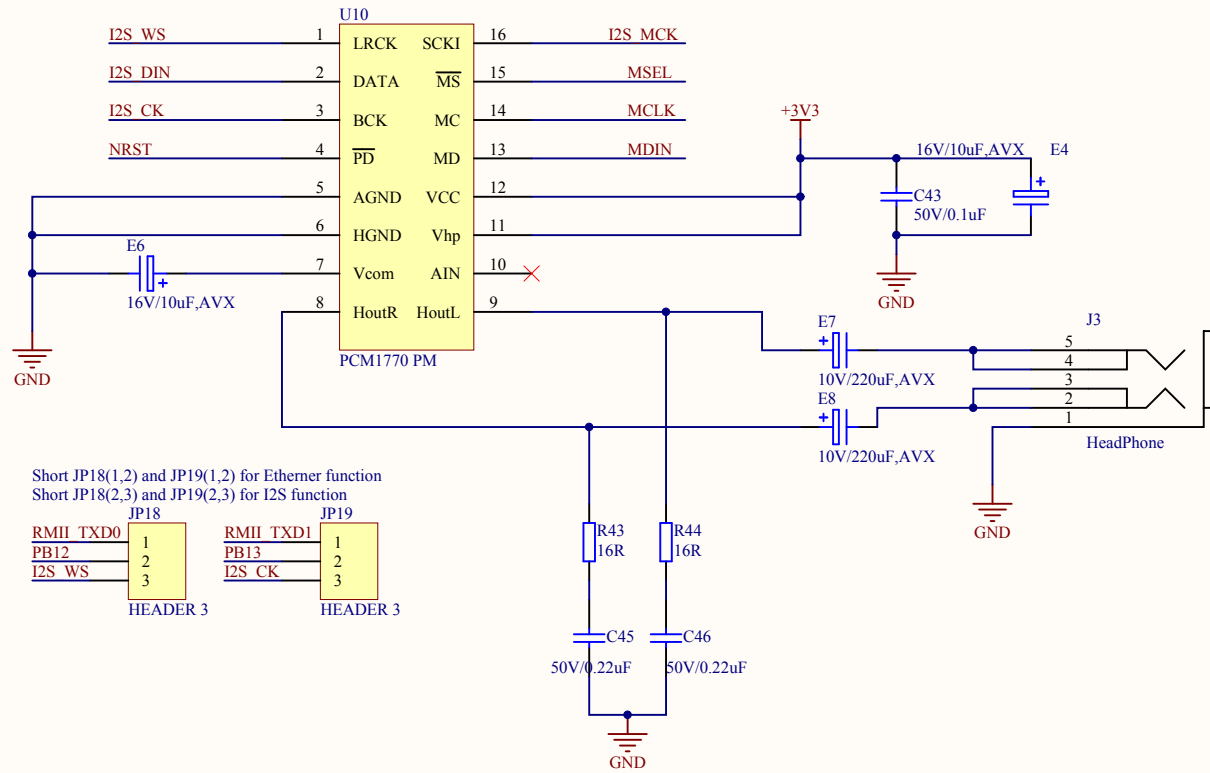
File Name: I2C_SMbus

Revision: 1.0

Data: 2017-4

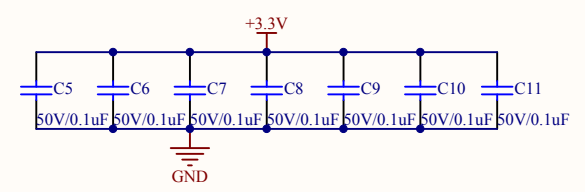
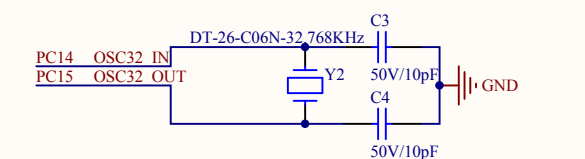
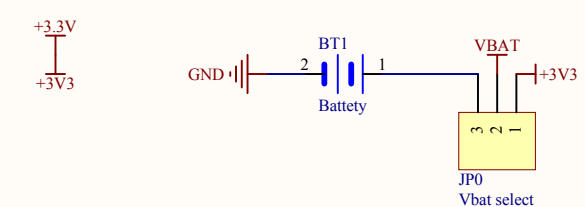
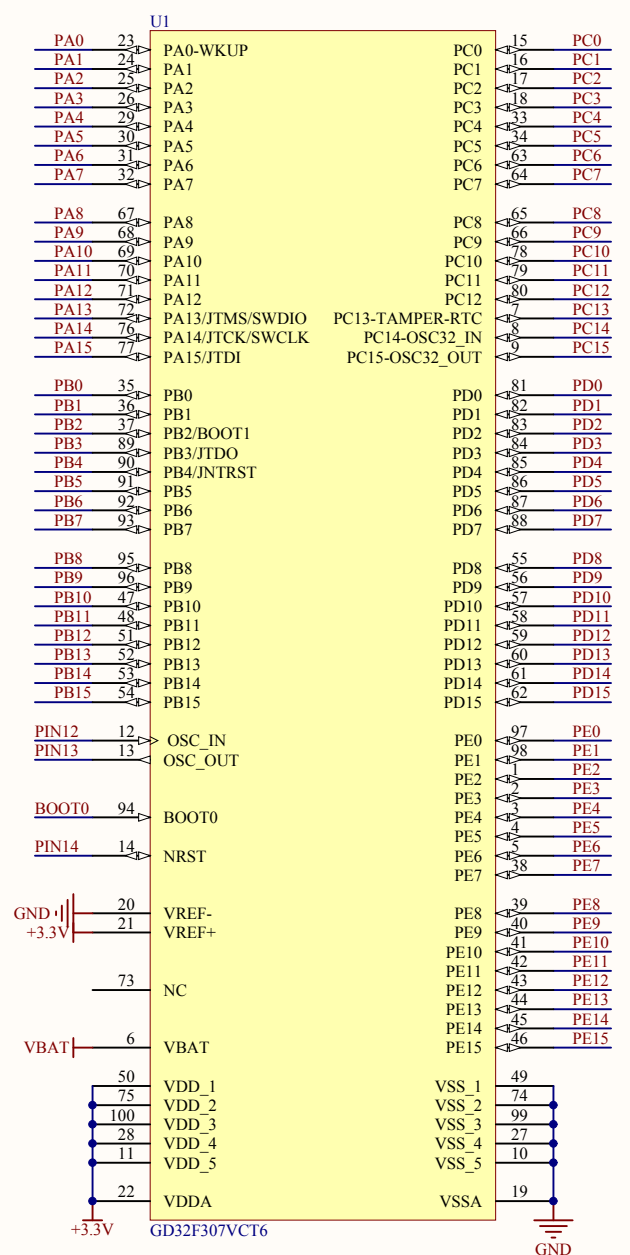
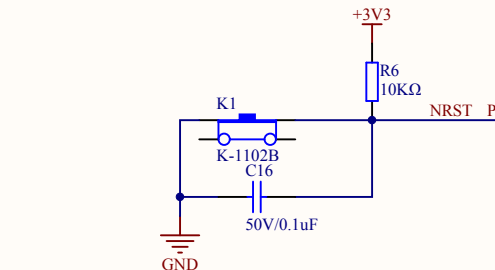
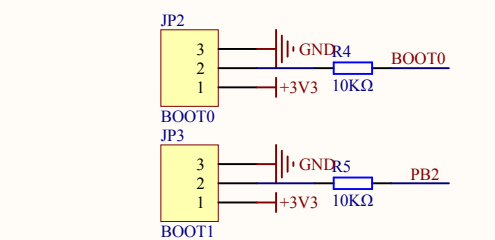
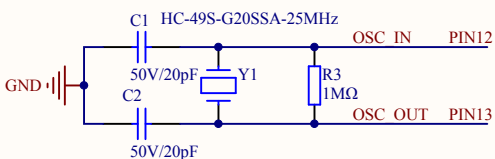
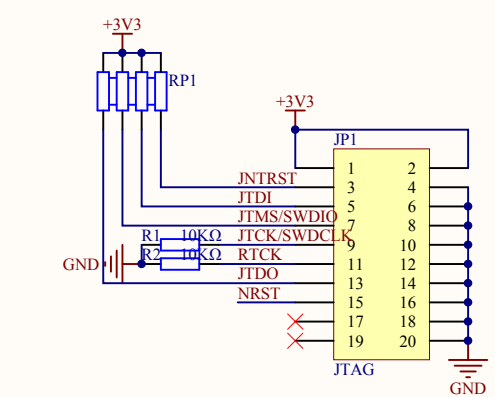
Author: XuFei

PC6 I2S_MCK
 PB15 I2S_DIN
 PA7 SPI0_MOSI MDIN
 SPI0_SCK MCLK
 PA4 MSEL

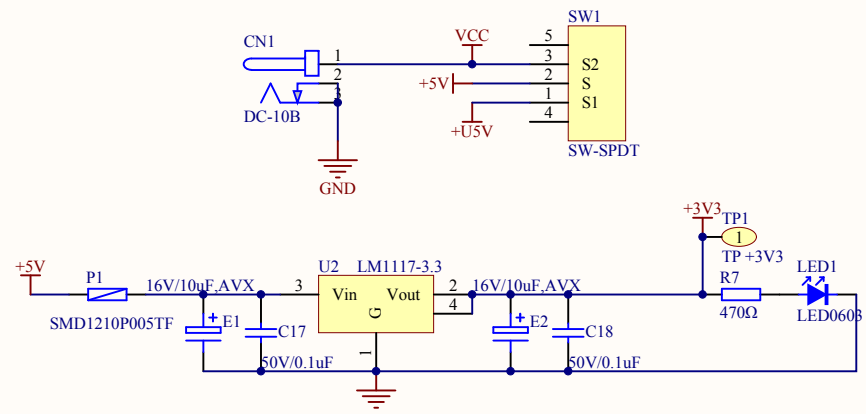


Company Name: GigaDevice		
File Name: I2S		
Revision: 1.0	Data: 2017-4	Author: Lixin

GDLINK	JTAG	PB4
L TDI	JNTRST	PA15
L TMS/IO	JTDO	PA13
L TCK/CLK	JTCK/SWDCLK	PA14
L TDO/SWO	JTDO	PB3
L TRreset	NRST	

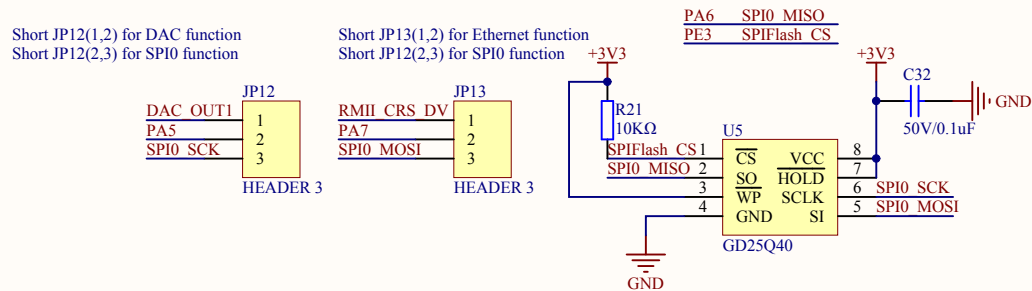


Company Name: GigaDevice		
File Name: MCU		
Revision: 1.0	Data: 2017-4	Author: XuFei



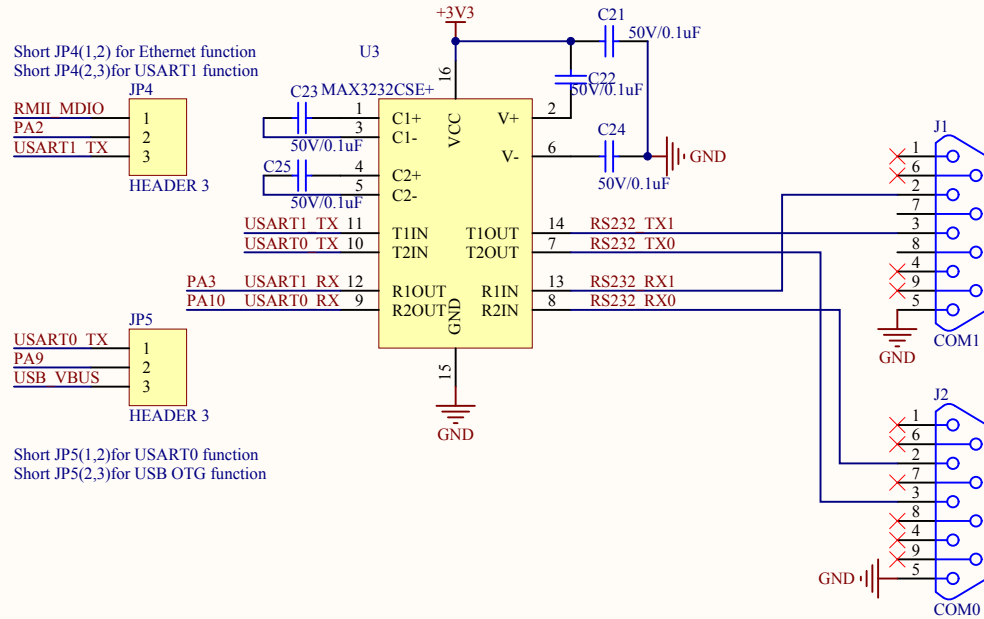
Company Name: GigaDevice		
File Name: Power		
Revision: 1.0	Data: 2017-4	Author: XuFei

SPI Flash

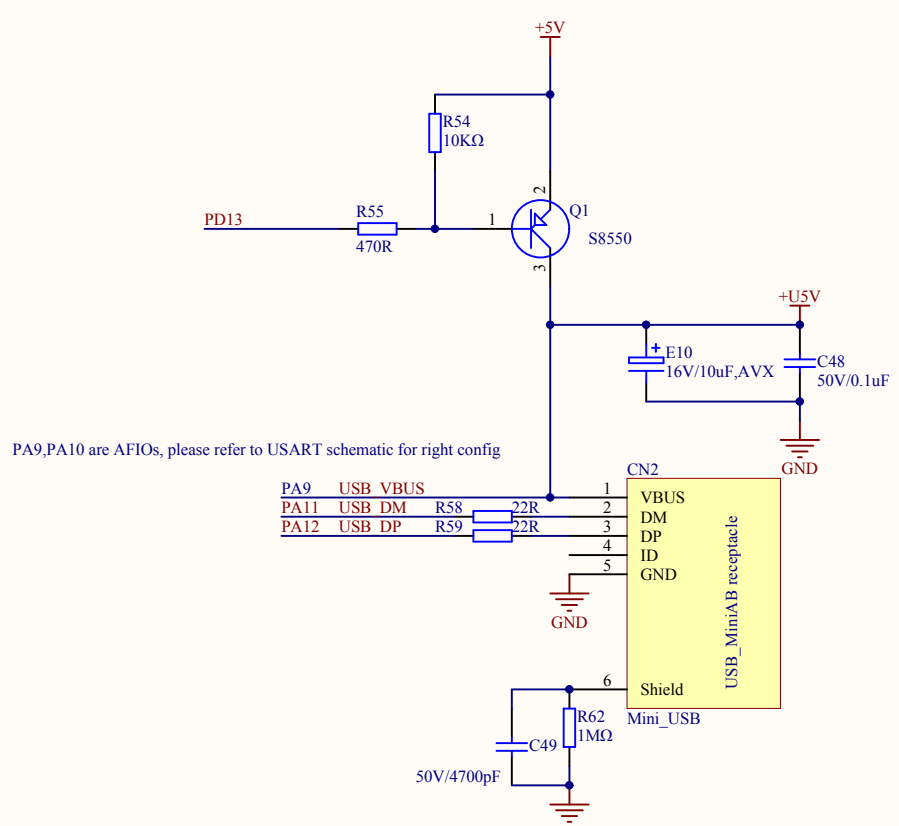


Company Name: GigaDevice		
File Name: SPI		
Revision: 1.0	Data: 2017-4	Author: XuFei

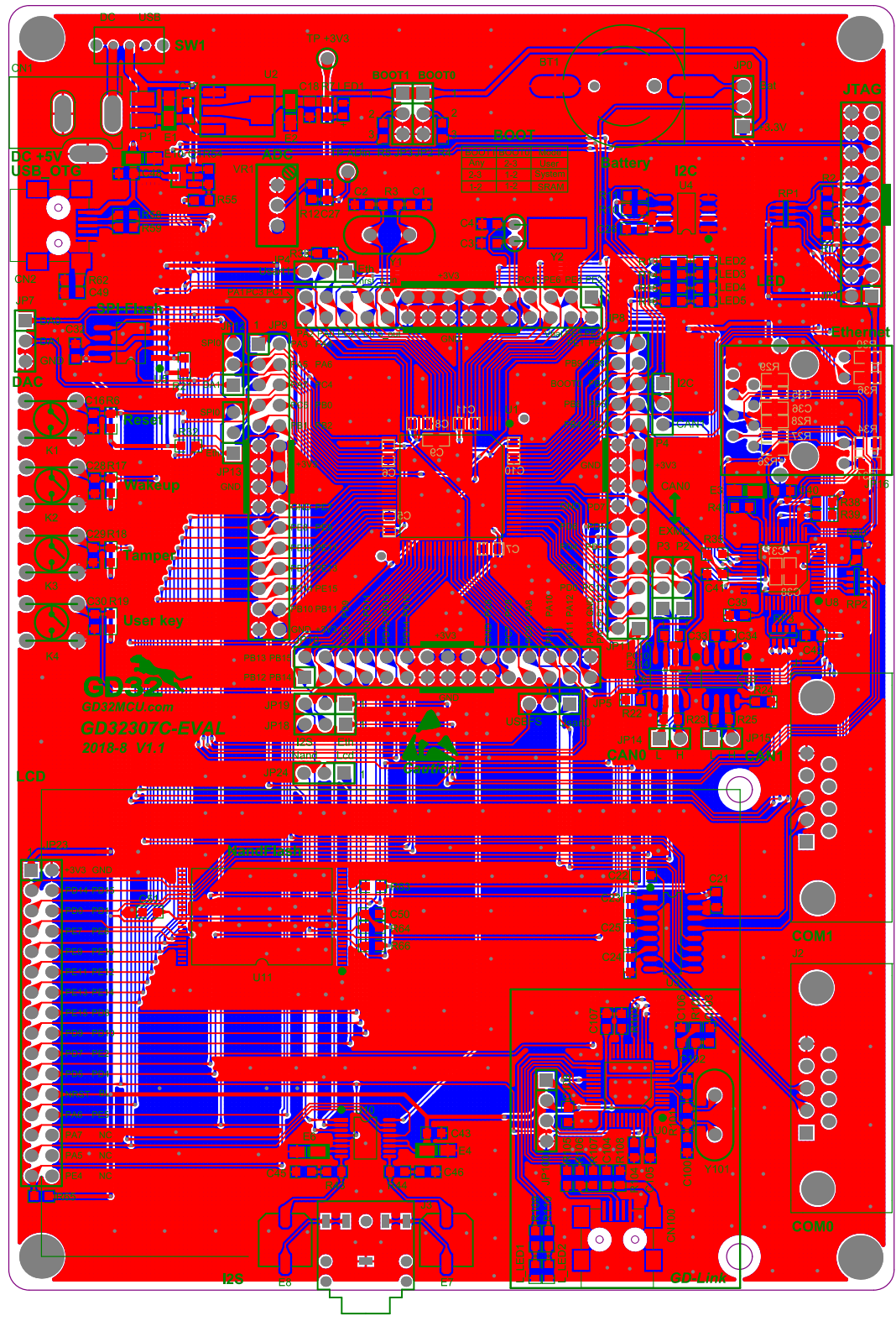
USART0/USART1



Company Name: GigaDevice		
File Name: USART		
Revision: 1.0	Data: 2017-4	Author: XuFei



Company Name: GigaDevice		
File Name: USB_OTG		
Revision: 1.1	Data: 2017-4	Author: Xufei



Component	Value	Used
ADV	2-3	Used
2-3	1-2	System
1-2	1-2	SRAM

GD32
GD32MCU.com
GD32307C-EVAL
2018-8 V1.1

LCD

COM1

COM0

I2S

GD-LINK