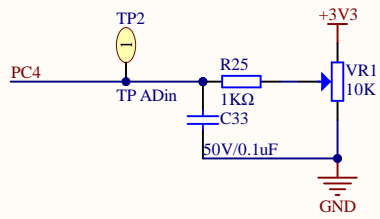


ADC



Company Name: GigaDevice		
File Name: AD		
Revision: 1.0	Data: 2015-01	Author: XuFei

1

2

3

4

A

A

B

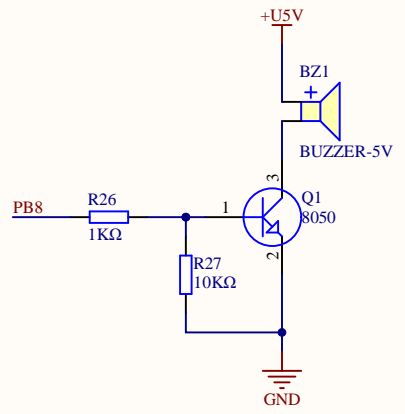
B

C

C

D

D



Company Name: GigaDevice

File Name: Audio

Revision: 1.0

Data: 2015-01

Author: XuFei

1

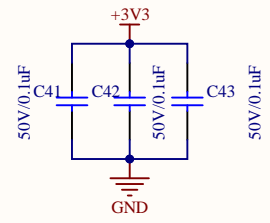
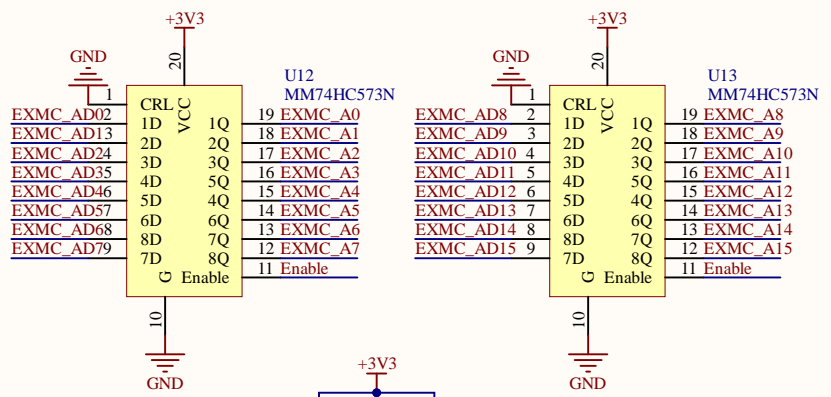
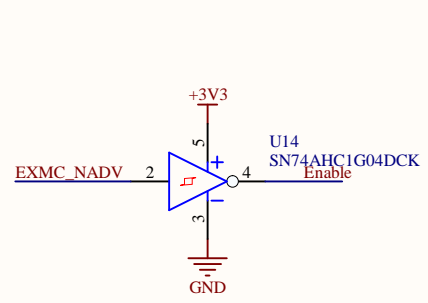
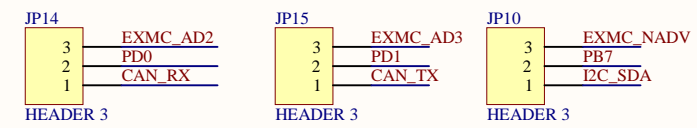
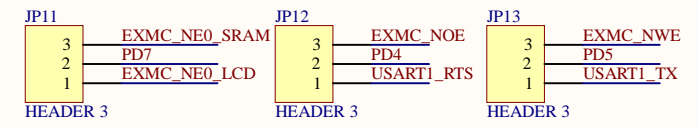
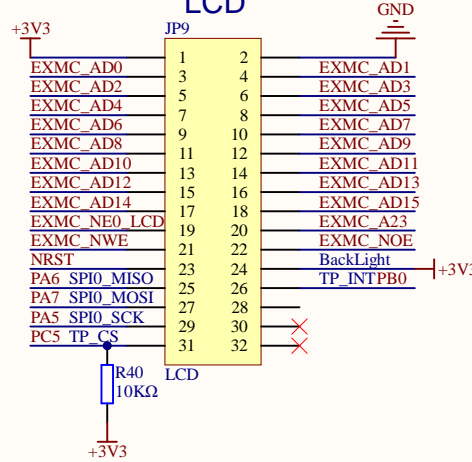
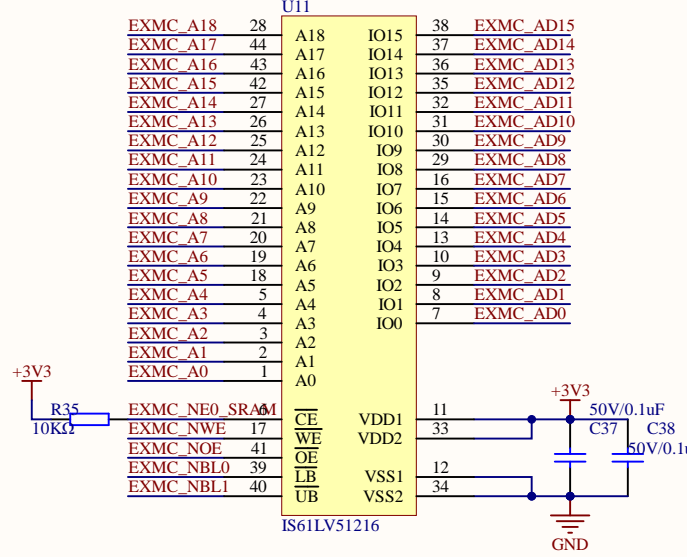
2

3

4

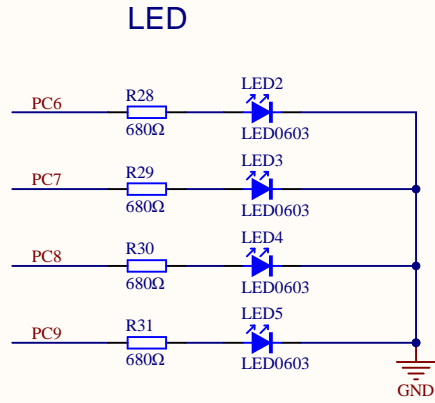
SRAM

LCD

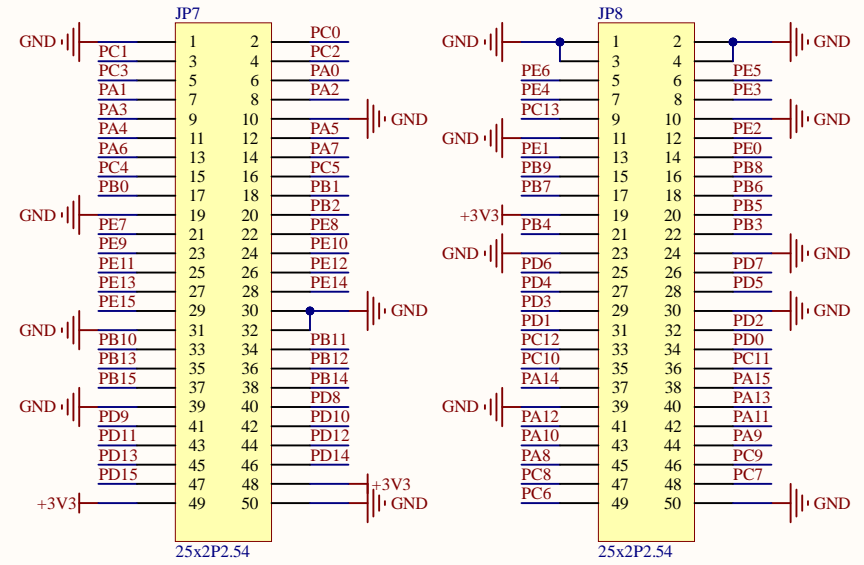


PD14	EXMC_AD0	PD11	EXMC_A16
PD15	EXMC_AD1	PD12	EXMC_A17
PE7	EXMC_AD4	PD13	EXMC_A18
PE8	EXMC_AD5	PE2	EXMC_A23
PE9	EXMC_AD6	PE0	EXMC_NBL0
PE10	EXMC_AD7	PE1	EXMC_NBL1
PE11	EXMC_AD8		
PE12	EXMC_AD9		
PE13	EXMC_AD10		
PE14	EXMC_AD11		
PE15	EXMC_AD12		
PD8	EXMC_AD13		
PD9	EXMC_AD14		
PD10	EXMC_AD15		

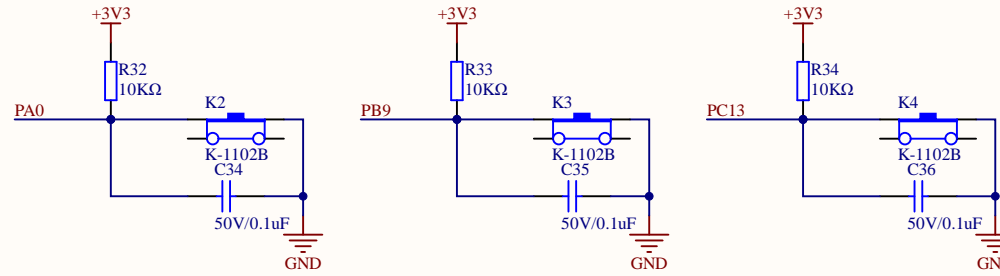
Company Name: GigaDevice		
File Name: EXMC		
Revision: 1.3	Data: 2018-12	Author: XuFei



Extension Pin

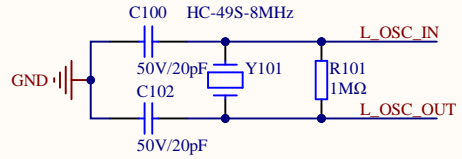
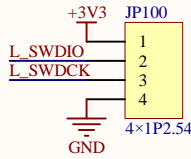


KEY

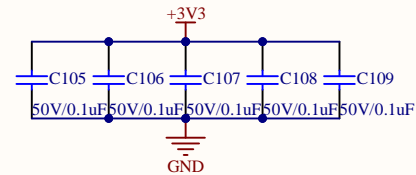
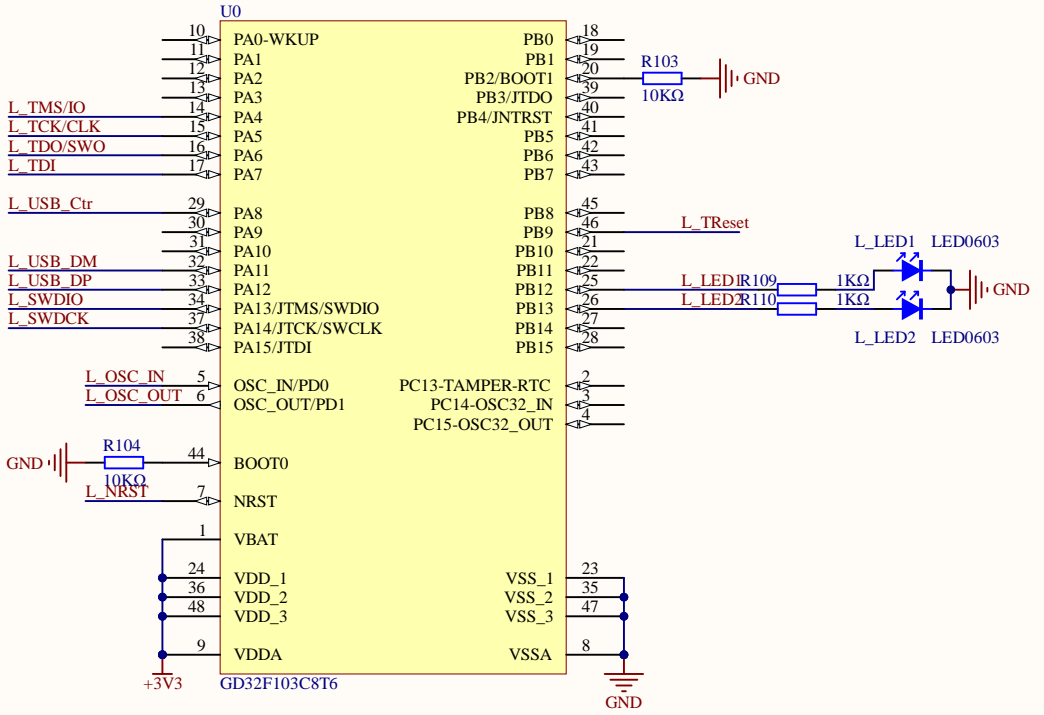
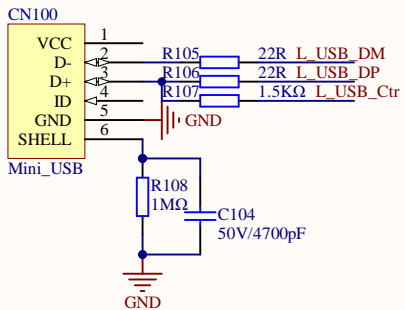
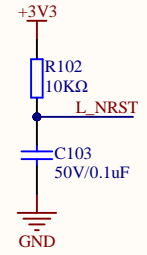


Company Name: GigaDevice		
File Name: Extension		
Revision: 1.0	Data: 2015-01	Author: XuFei

MCU SWD



Reset



Company Name: GigaDevice

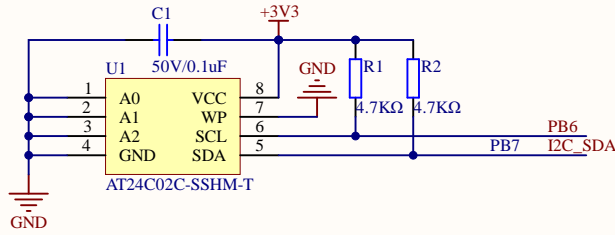
File Name: GDLink

Revision: 1.0

Data: 2015-01-09

Author: XuFei

I2C



Company Name: GigaDevice

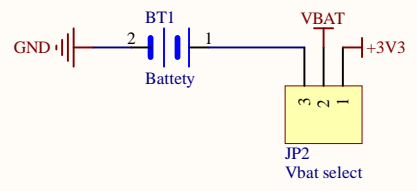
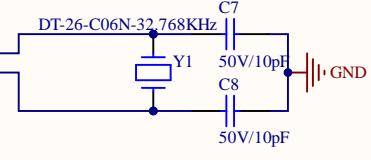
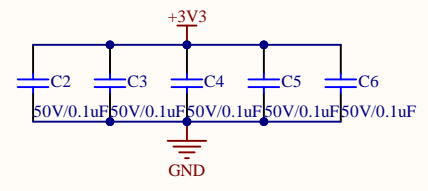
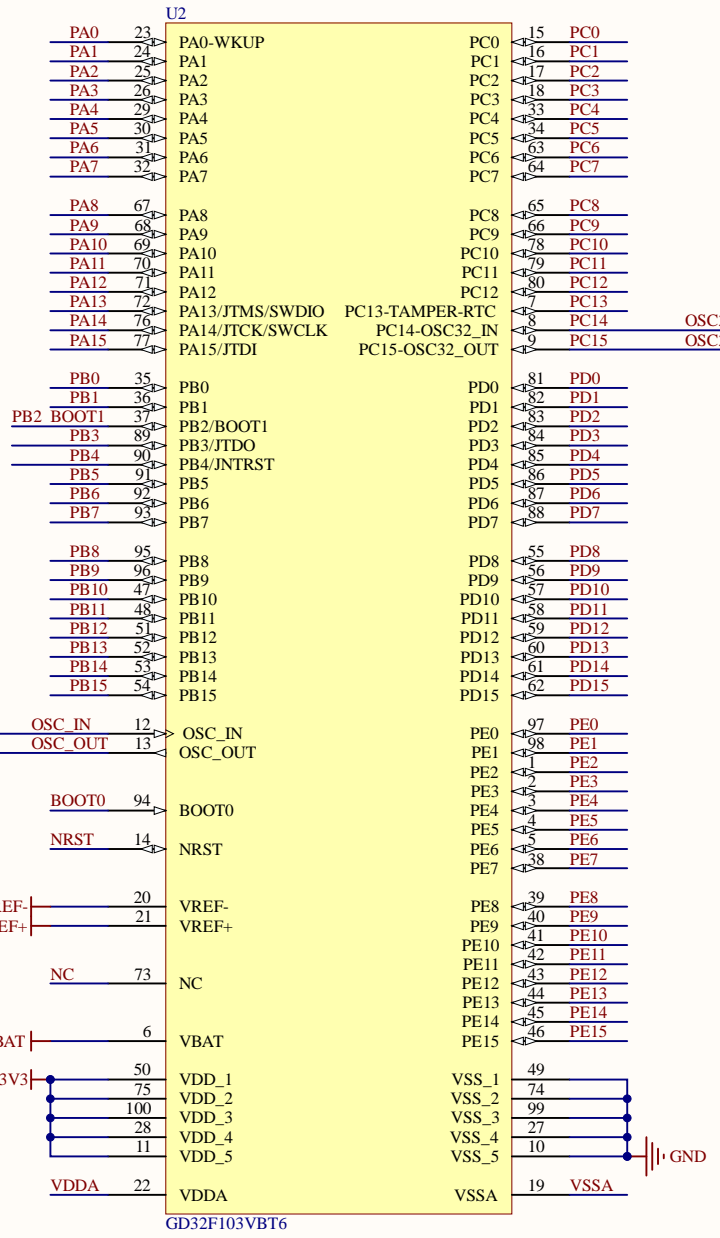
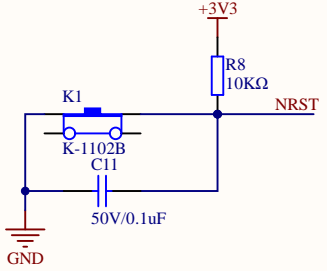
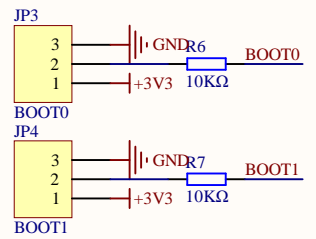
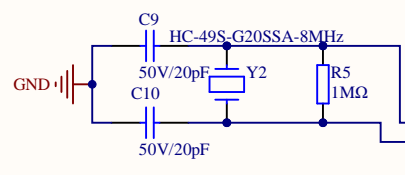
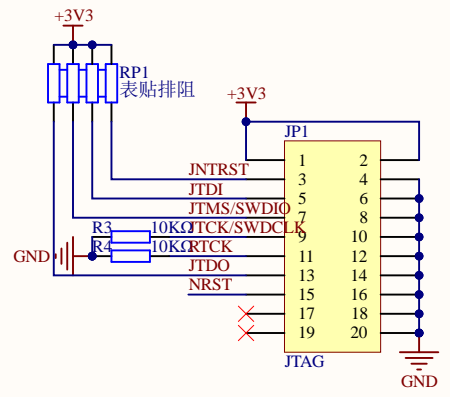
File Name: I2C

Revision: 1.0

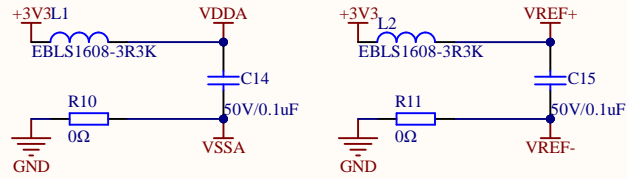
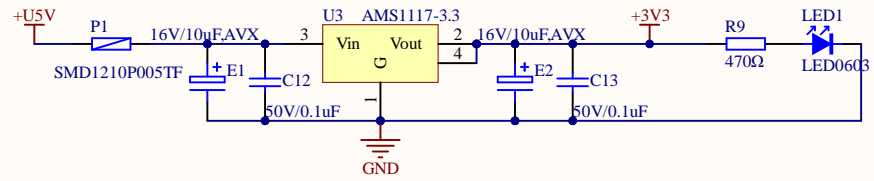
Data: 2015-01

Author: XuFei

GDLINK	JTAG	
L_TDI	JNTRST	PB4
L_TMS/IO	JTDI	PA15
L_TCK/CLK	JTMS/SWDIO	PA13
L_TDO/SWO	JTDO	PA14
L_TReset	NRST	PB3

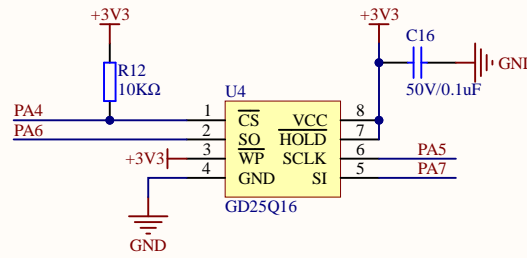


Company Name: GigaDevice		
File Name: MCU		
Revision: 1.0	Data: 2015-01	Author: XuFei



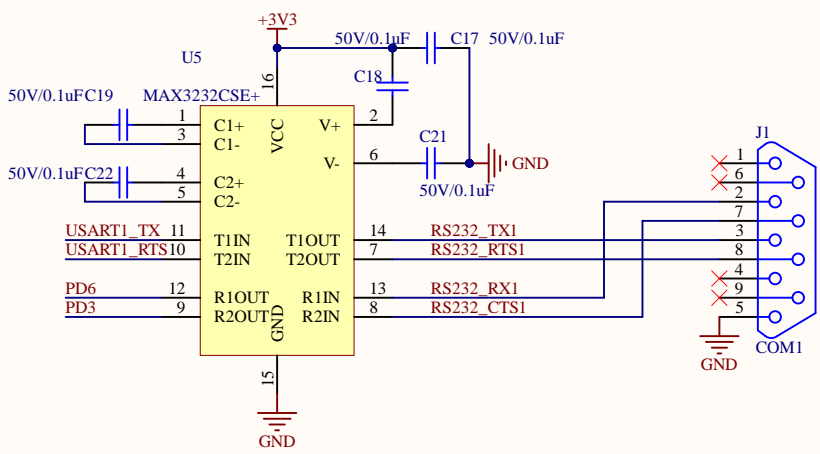
Company Name: GigaDevice		
File Name: Power		
Revision: 1.0	Data: 2015-01	Author: XuFei

SPI Flash

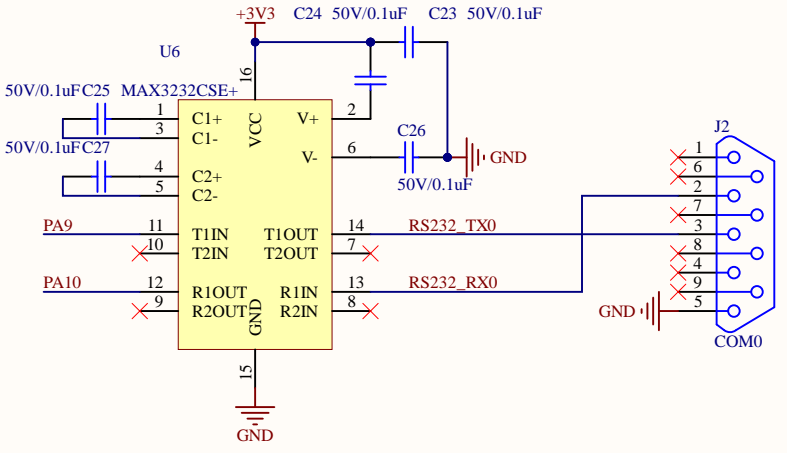


Company Name: GigaDevice		
File Name: SPI		
Revision: 1.0	Data: 2015-01	Author: XuFei

USART1



USART0



Company Name: GigaDevice

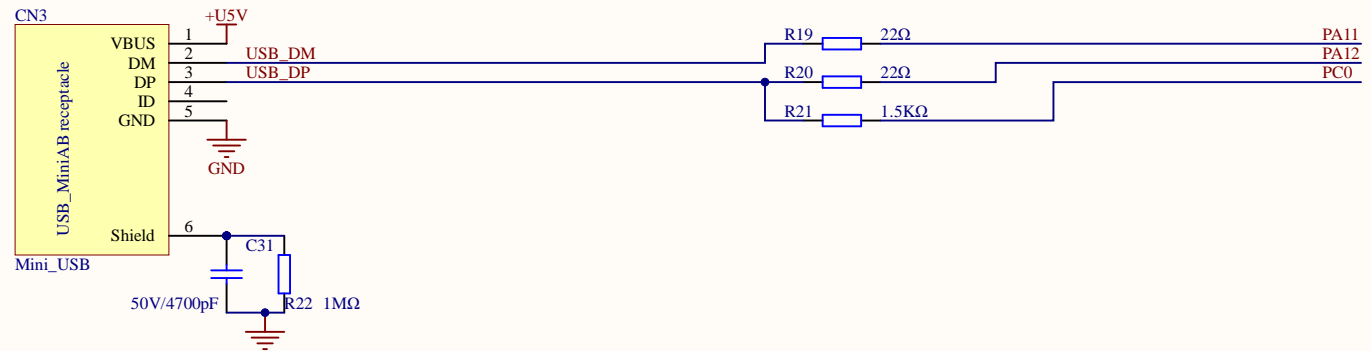
File Name: USART

Revision: 1.0

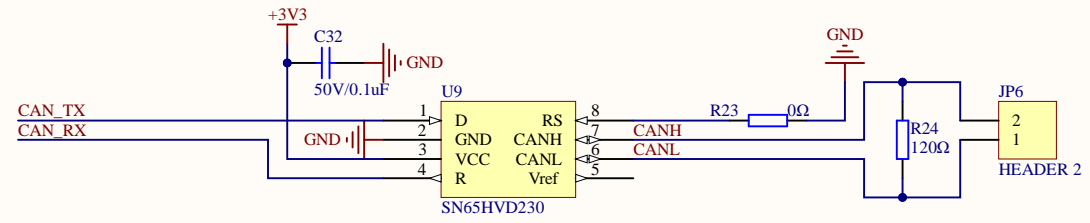
Data: 2015-01

Author: XuFei

USB



CAN



Company Name: GigaDevice		
File Name: USB_CAN		
Revision: 1.0	Data: 2015-01	Author: XuFei

