

1

2

3

4

A

A

B

B

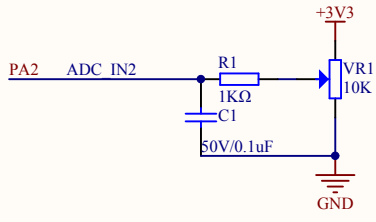
C

C

D

D

### ADC



<b>Company Name: GigaDevice</b>		
<b>File Name: AD</b>		
Revision: 1.0	Data: 2018-9	Author: Xufei

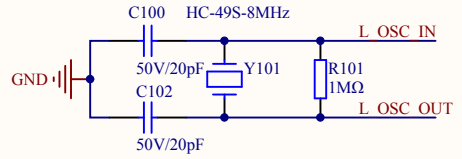
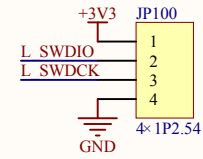
1

2

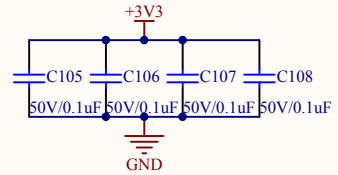
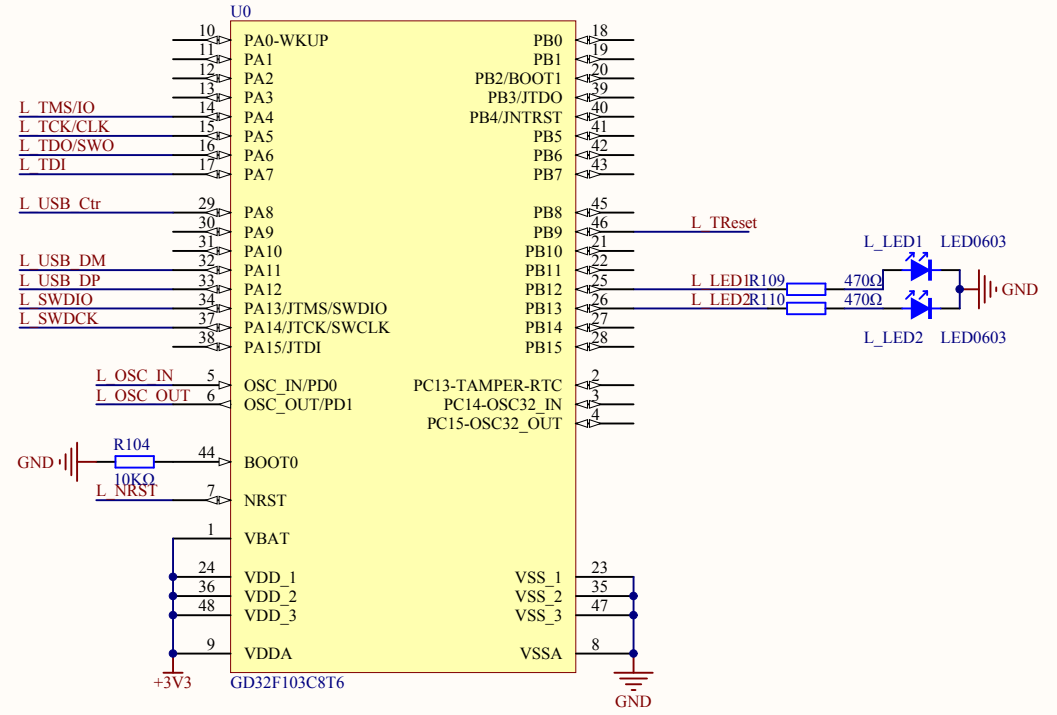
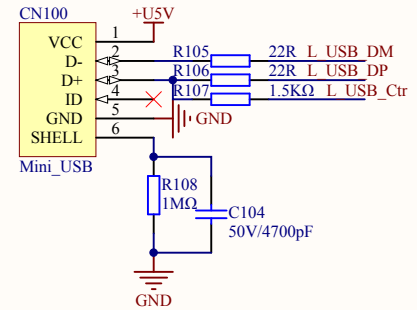
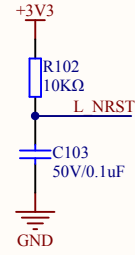
3

4

### MCU SWD



### Reset



Company Name: GigaDevice

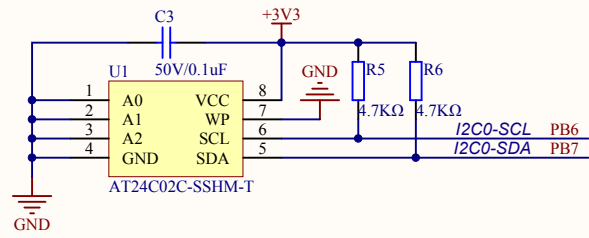
File Name: GDLink

Revision: 1.0

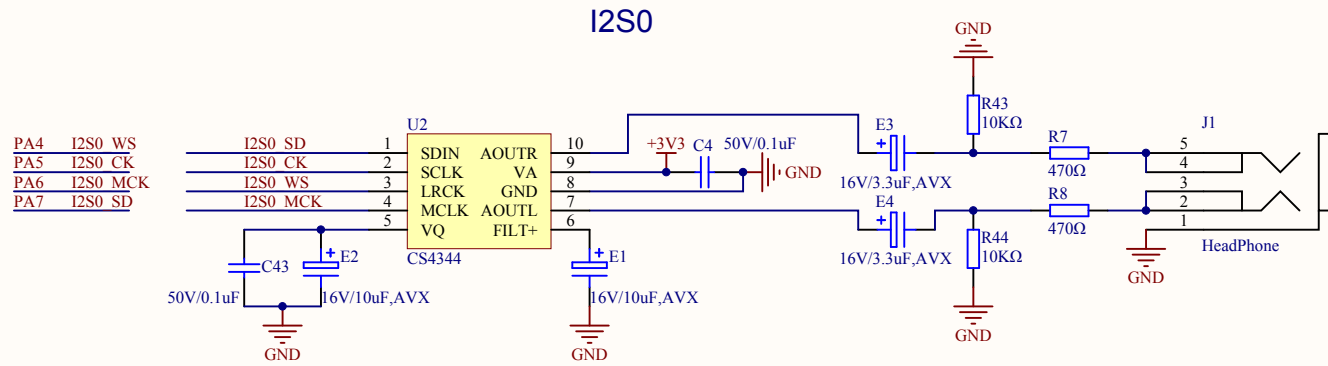
Data: 2018-9

Author: XuFei

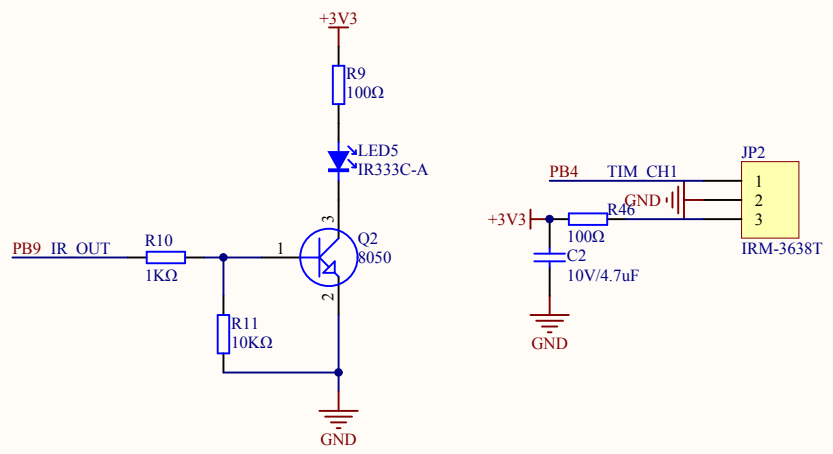
### I2C



<b>Company Name: GigaDevice</b>		
<b>File Name: I2C</b>		
Revision: 1.0	Data: 2017-5	Author: Xufei



<b>Company Name: GigaDevice</b>		
<b>File Name: I2S0</b>		
Revision: 1.0	Data: 2018-9	Author: Xufei



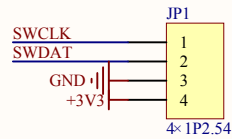
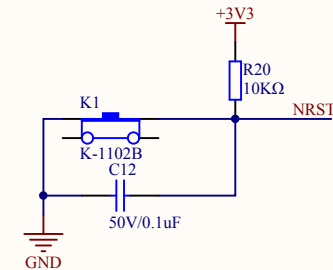
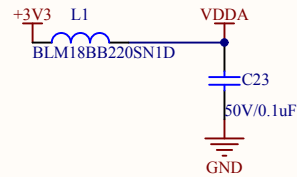
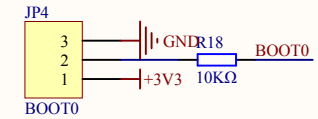
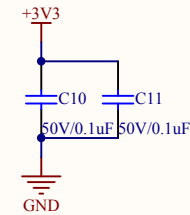
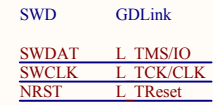
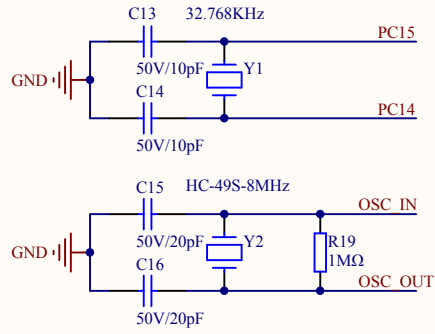
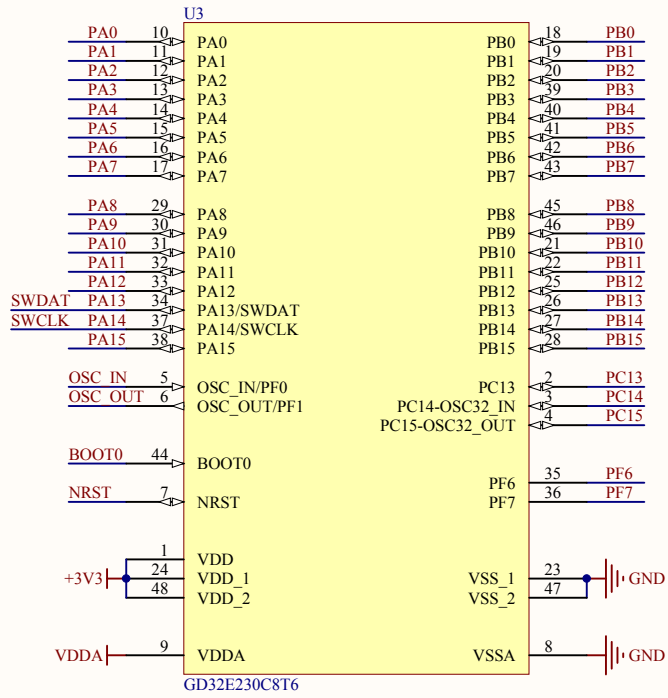
**Company Name: GigaDevice**

**File Name: IR**

Revision: 1.1

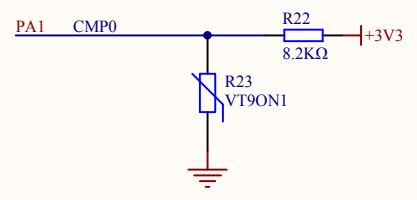
Data: 2018-10

Author: Xufei

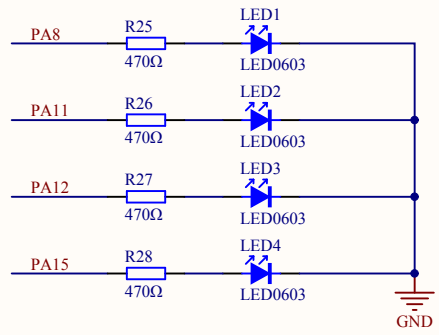


<b>Company Name: GigaDevice</b>		
<b>File Name: MCU</b>		
Revision: 1.0	Data: 2018-9	Author: Xufei

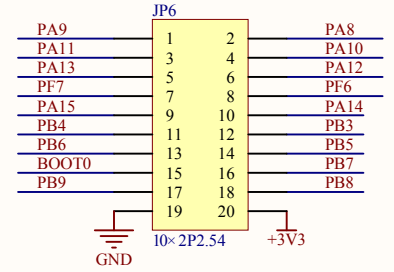
### COMPARATOR



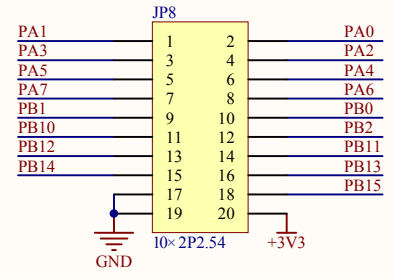
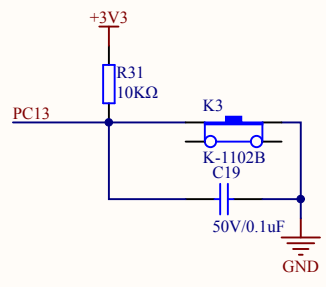
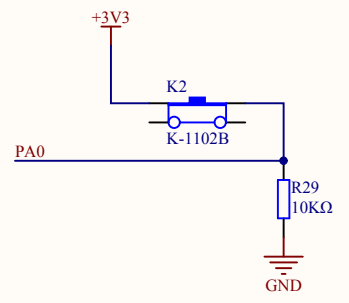
### LED



### EXTENTION



### KEY



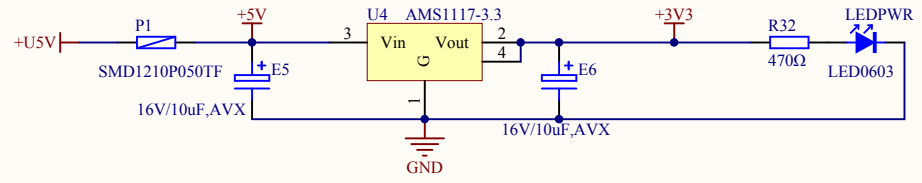
**Company Name: GigaDevice**

**File Name: Peripherals**

Revision: 1.0

Data: 2018-9

Author: Xufei



**Company Name: GigaDevice**

**File Name: Power**

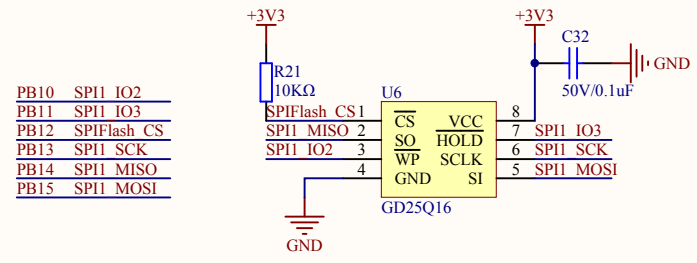
Revision: 1.0

Data: 2018-9

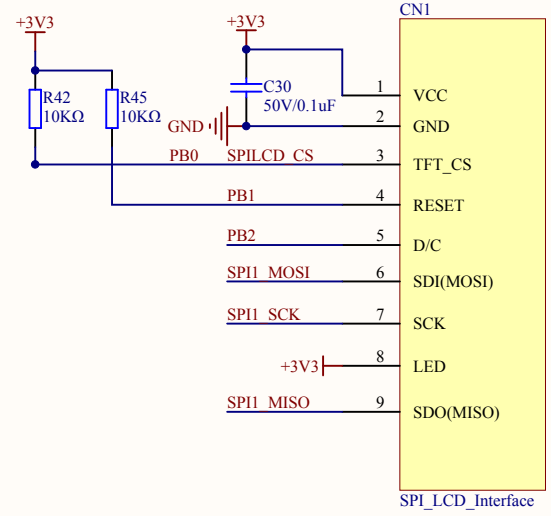
Author: Xufei



### SPI Flash

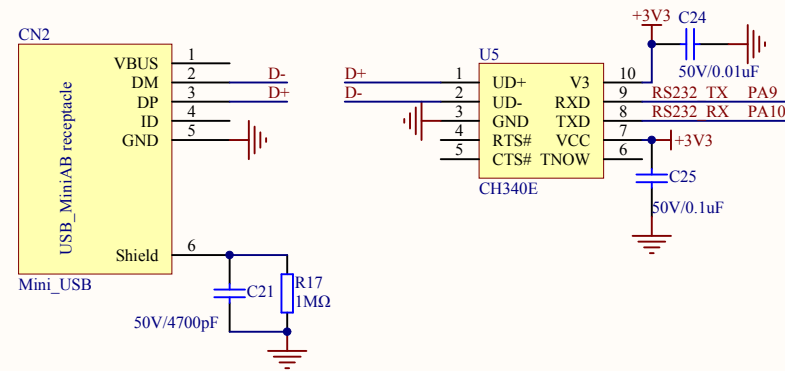


### SPI LCD



<b>Company Name: GigaDevice</b>		
<b>File Name: SPI</b>		
Revision: 1.0	Data: 2017-5	Author: Xufei

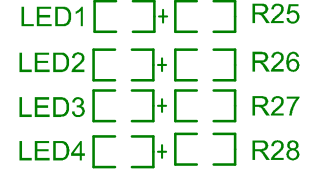
### USART To USB



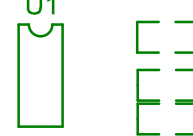
<b>Company Name: GigaDevice</b>		
<b>File Name: USART</b>		
Revision: 1.0	Data: 2018-9	Author: Xufei

**USART**

**LED**



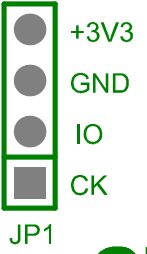
**I2C**



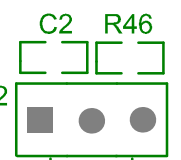
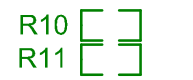
**BOOT0**



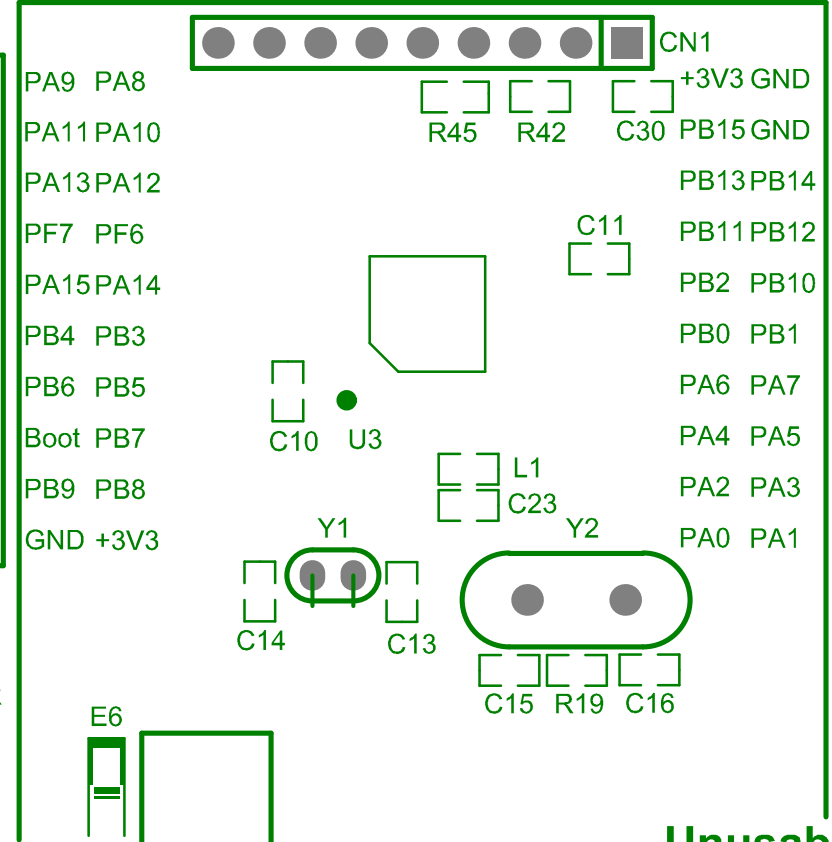
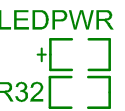
**SWD**



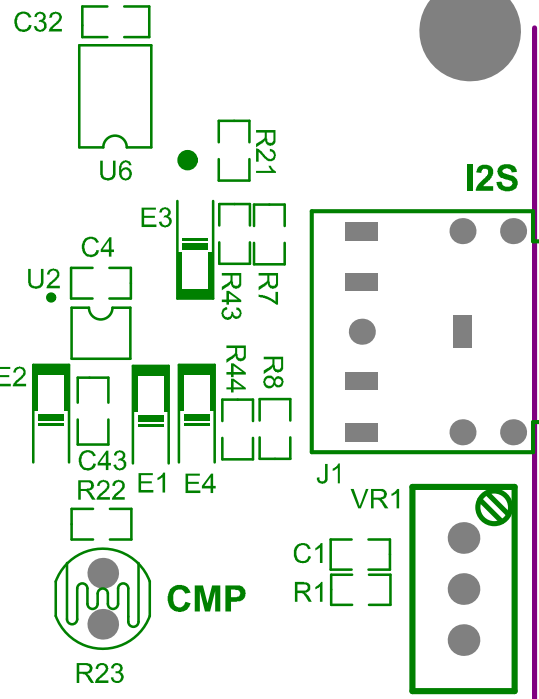
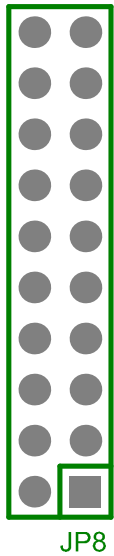
**GD32**  
GD32MCU.com  
**GD32E230C-EVAL**  
2018-11 V1.1



LED5



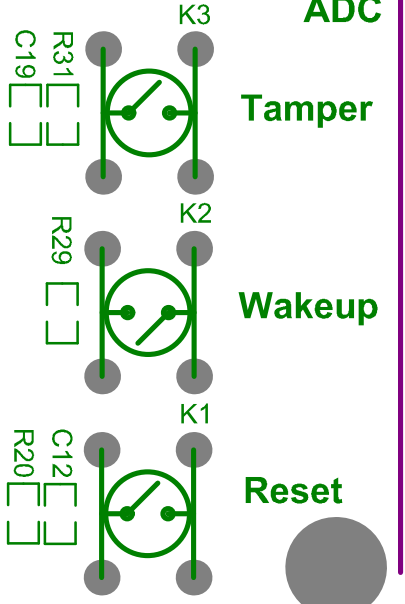
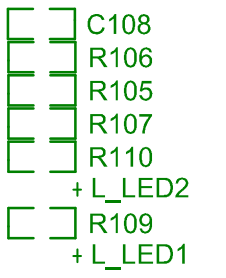
**LCD**



**I2S**

**ADC**

**Unusable**



**Tamper**

**Wakeup**

**Reset**

**GD-Link**