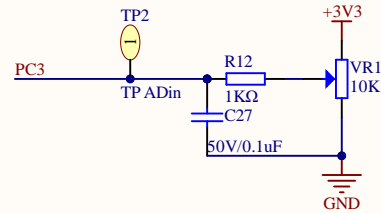
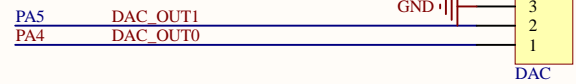


### ADC



### DAC

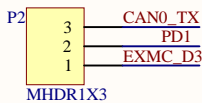
PA5 is an AFIO, please refer to SPI Schematic for right config



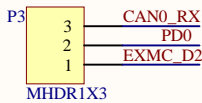
Company Name: GigaDevice		
File Name: AD_DA		
Revision: 1.0	Data: 2013-8-20	Author: XuFei

# CAN

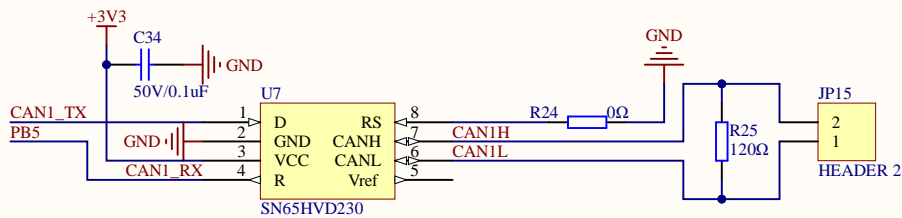
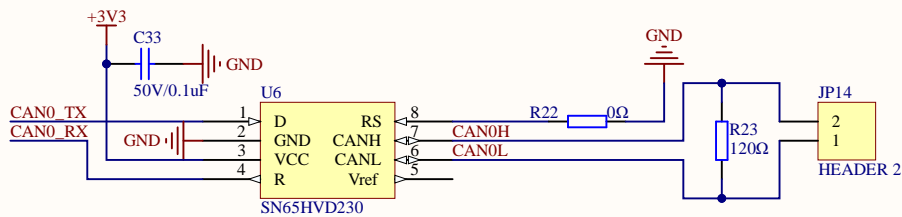
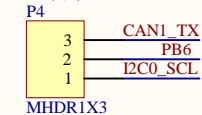
Short P2(1,2) for EXMC function  
Short P2(2,3) for CAN0 function



Short P3(1,2) for EXMC function  
Short P3(2,3) for CAN0 function



Short P4(1,2) for I2C0 function  
Short P4(2,3) for CAN1 function



Company Name: GigaDevice

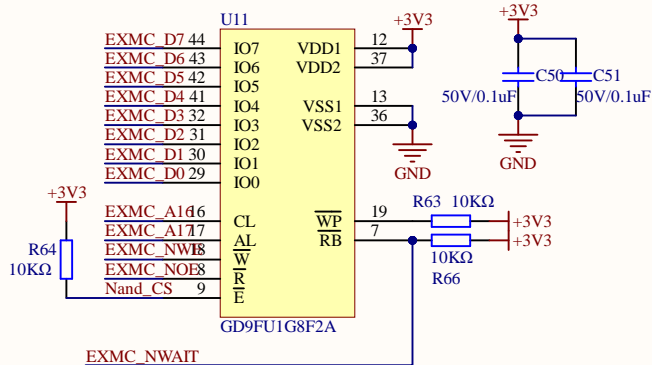
File Name: CAN

Revision: 1.0

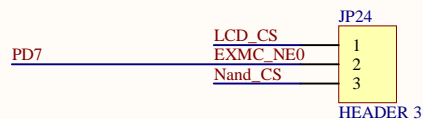
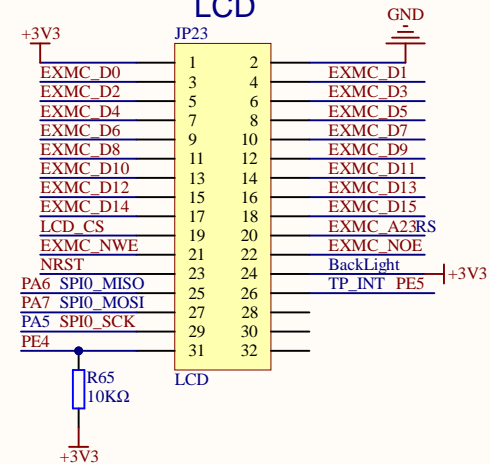
Data: 2013-7-24

Author: XuFei

### Nand Flash



### LCD

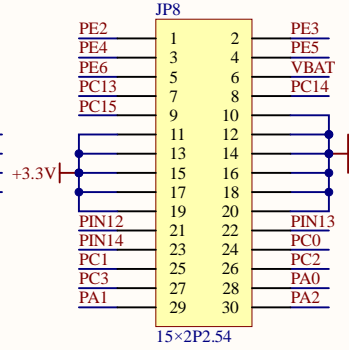
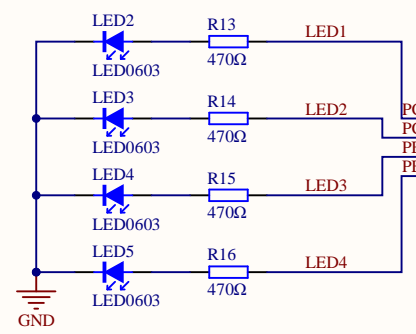


PD0,PD1 are AFIOs, please refer to CAN schematic for right config

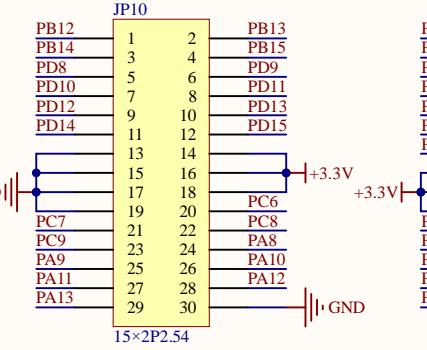
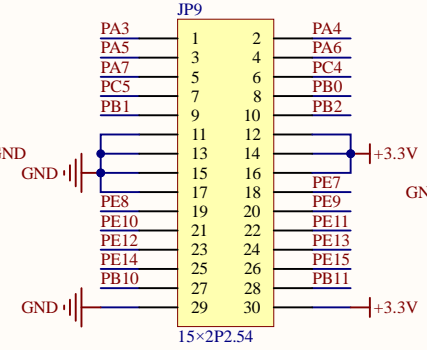
PD14	EXMC_D0	PD11	EXMC_A16
PD15	EXMC_D1	PD12	EXMC_A17
PD0	EXMC_D2	PE2	EXMC_A23
PD1	EXMC_D3	PD4	EXMC_NOE
PE7	EXMC_D4	PD5	EXMC_NWE
PE8	EXMC_D5	PD6	EXMC_NWAIT
PE9	EXMC_D6		
PE10	EXMC_D7		
PE11	EXMC_D8		
PE12	EXMC_D9		
PE13	EXMC_D10		
PE14	EXMC_D11		
PE15	EXMC_D12		
PD8	EXMC_D13		
PD9	EXMC_D14		
PD10	EXMC_D15		

Company Name: GigaDevice		
File Name: EXMC		
Revision: 1.0	Data: 2013-8-20	Author: XuFei

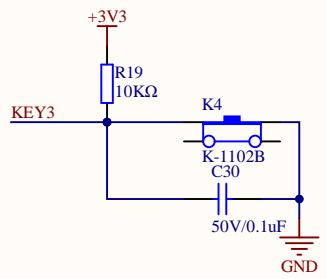
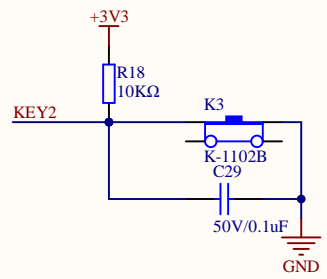
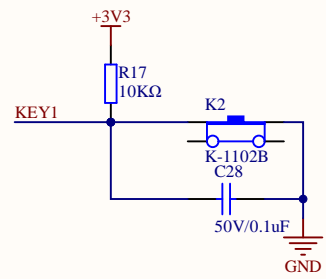
### LED



### Extension Pin



### KEY



- PA0 KEY1
- PC13 KEY2
- PB14 KEY3

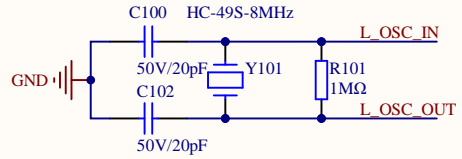
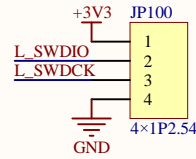
Company Name: GigaDevice

File Name: Extension

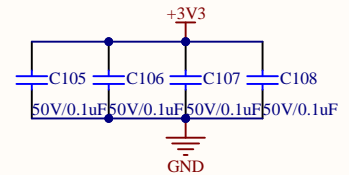
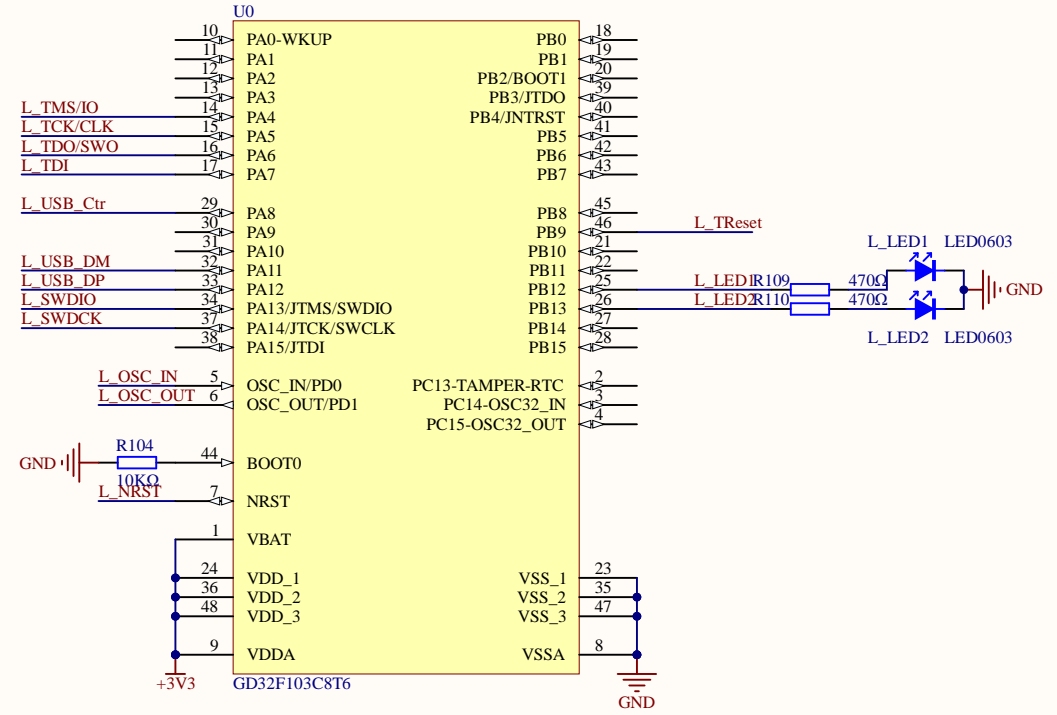
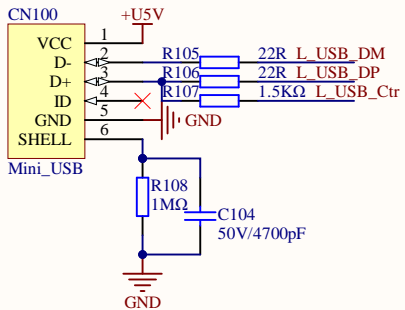
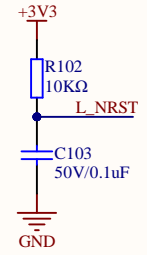
Revision: 1.0

Data: 2013-8-20

Author: XuFei



### Reset



Company Name: GigaDevice

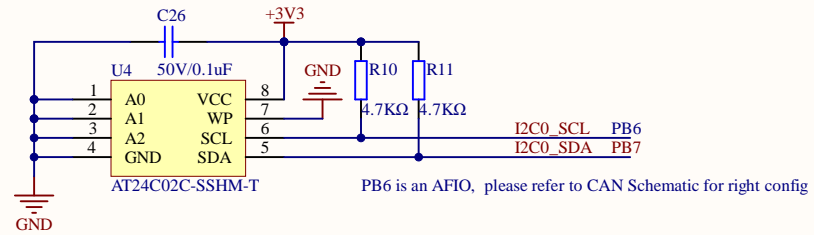
File Name: GDLink

Revision: 1.0

Data: 2016-03

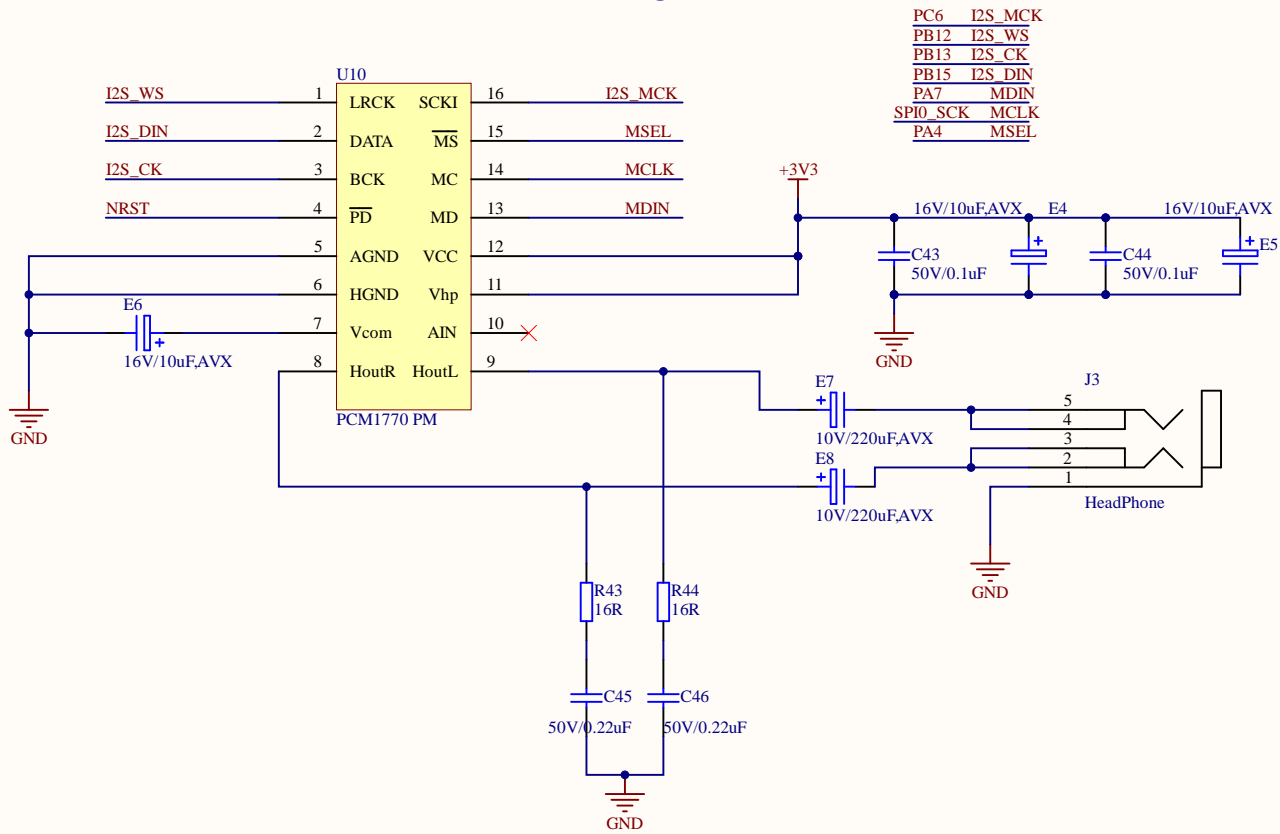
Author: XuFei

# I2C



Company Name: GigaDevice		
File Name: I2C		
Revision: 1.0	Data: 2013-8-20	Author: XuFei

# I2S



- PC6 I2S\_MCK
- PB12 I2S\_WS
- PB13 I2S\_CK
- PB15 I2S\_DIN
- PA7 MDIN
- SPI0\_SCK MCLK
- PA4 MSEL

Company Name: GigaDevice

File Name: I2S

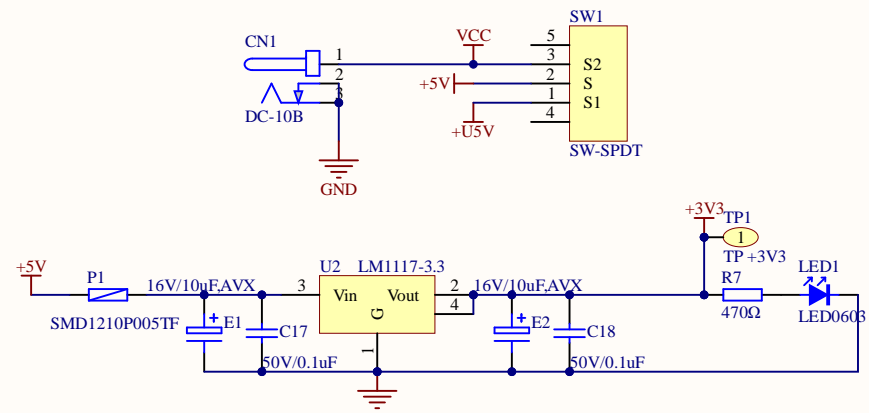
Revision: 1.0

Data: 2013-7-23

Author: Lixin







Company Name: GigaDevice

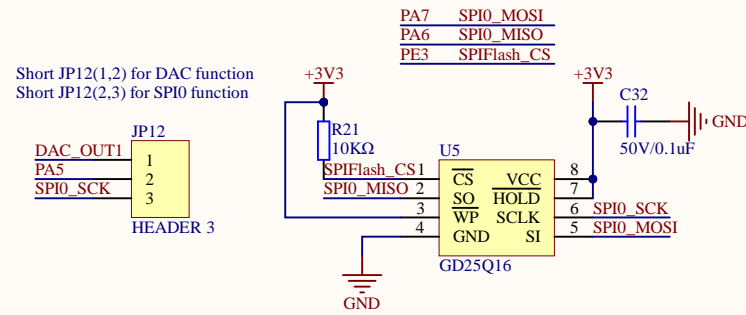
File Name: Power

Revision: 1.0

Data: 2013-8-20

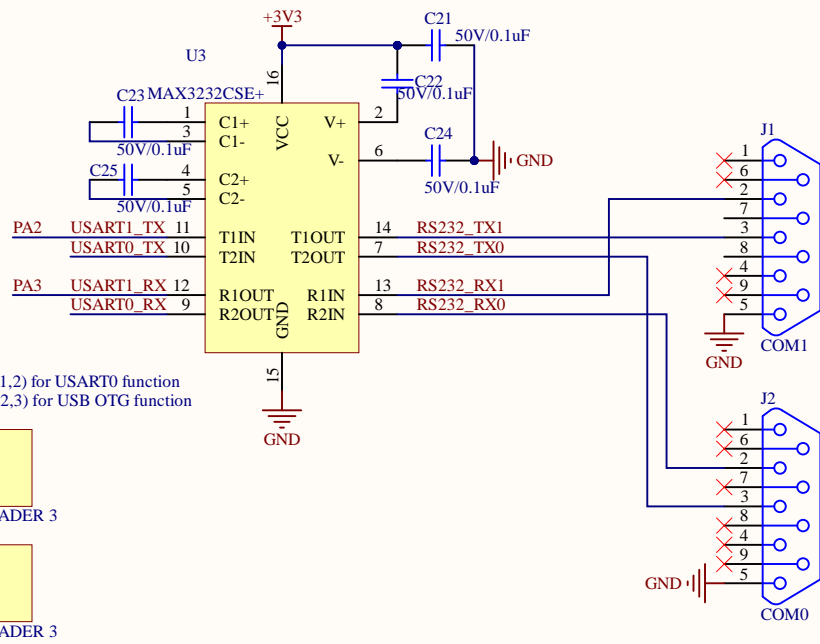
Author: XuFei

### SPI Flash

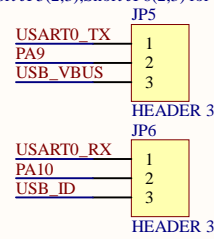


Company Name: GigaDevice		
File Name: SPI		
Revision: 1.0	Data: 2013-8-20	Author: XuFei

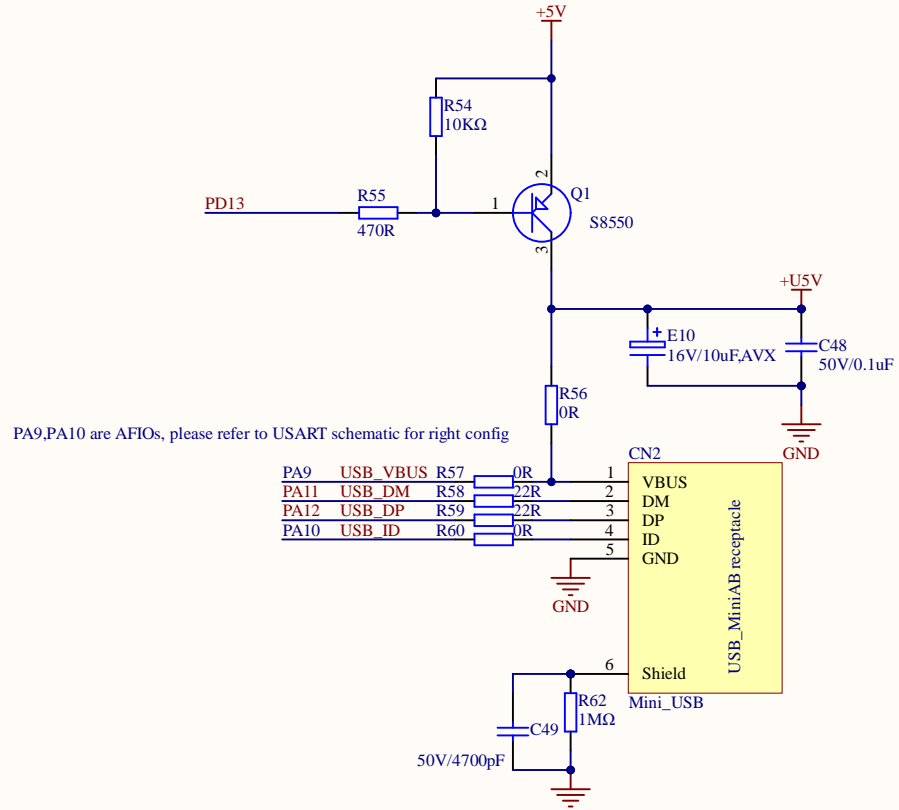
### USART0/USART1



Short JP5(1,2), Short JP6(1,2) for USART0 function  
 Short JP5(2,3), Short JP6(2,3) for USB OTG function



Company Name: GigaDevice		
File Name: USART		
Revision: 1.0	Data: 2013-8-20	Author: XuFei



Company Name: GigaDevice

File Name: USB\_OTG

Revision: 1.1

Data: 2013.9.10

Author: Xufei

