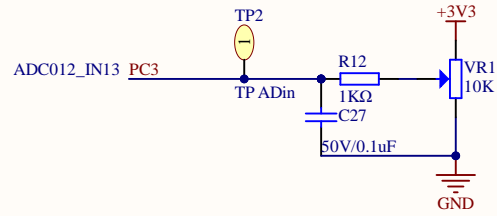
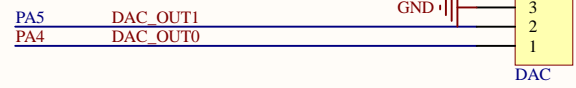


ADC



DAC

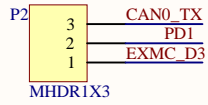
PA5 is an AFIO, please refer to SPI Schematic for right config



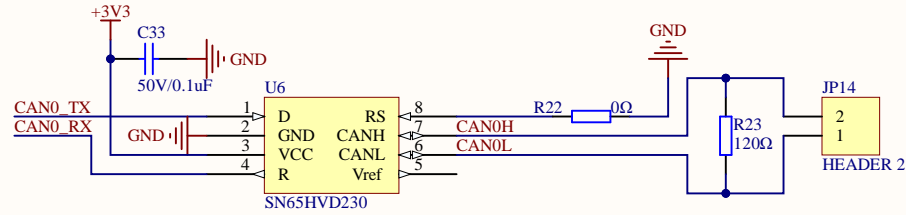
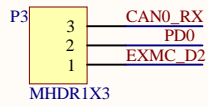
Company Name: GigaDevice		
File Name: AD_DA		
Revision: 1.0	Data: 2013-8-20	Author: XuFei

CAN

Short P2(1,2) for EXMC function
 Short P2(2,3) for CAN0 function

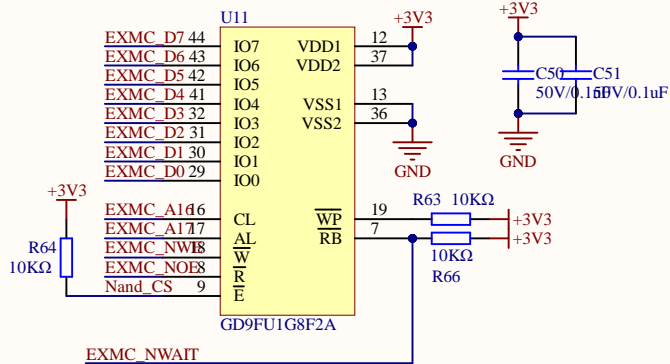


Short P3(1,2) for EXMC function
 Short P3(2,3) for CAN0 function

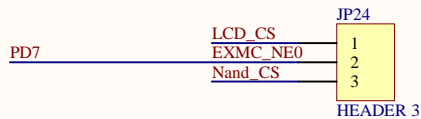
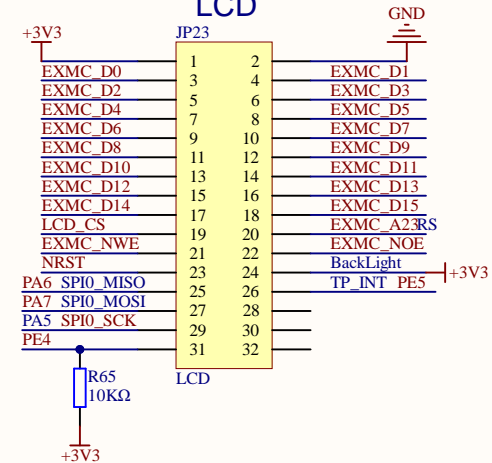


Company Name: GigaDevice		
File Name: CAN		
Revision: 1.0	Data: 2013-7-24	Author: XuFei

Nand Flash



LCD



PD0,PD1 are AFIOs, please refer to CAN schematic for right config

PD14	EXMC_D0	PD11	EXMC_A16
PD15	EXMC_D1	PD12	EXMC_A17
PD0	EXMC_D2	PE2	EXMC_A23
PD1	EXMC_D3	PD4	EXMC_NOE
PE7	EXMC_D4	PD5	EXMC_NWE
PE8	EXMC_D5	PD6	EXMC_NWAIT
PE9	EXMC_D6		
PE10	EXMC_D7		
PE11	EXMC_D8		
PE12	EXMC_D9		
PE13	EXMC_D10		
PE14	EXMC_D11		
PE15	EXMC_D12		
PD8	EXMC_D13		
PD9	EXMC_D14		
PD10	EXMC_D15		

Company Name: GigaDevice

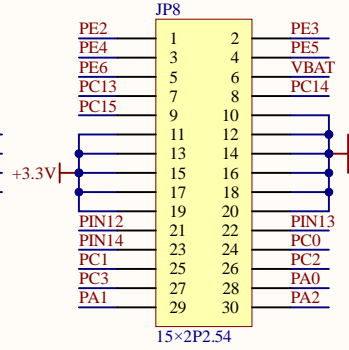
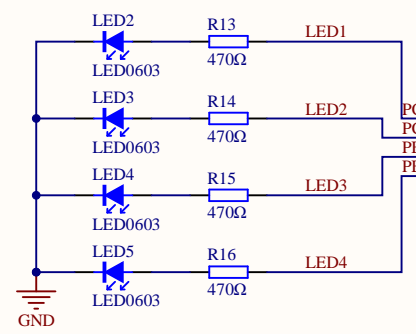
File Name: EXMC

Revision: 1.0

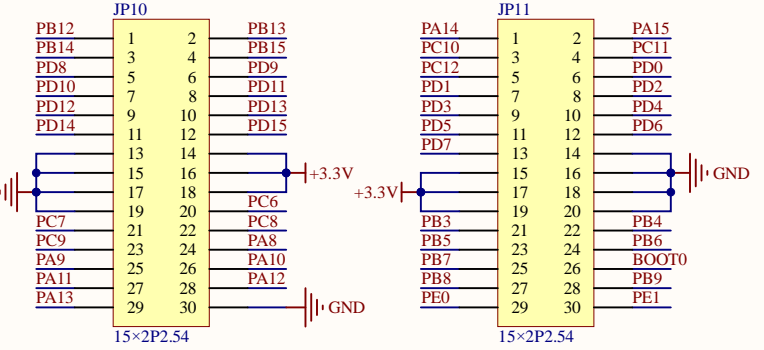
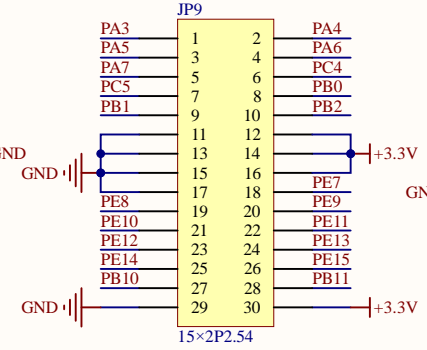
Data: 2013-8-20

Author: XuFei

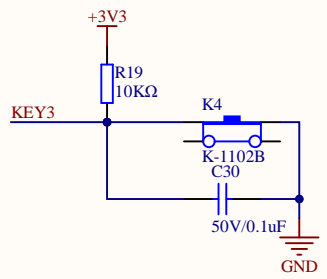
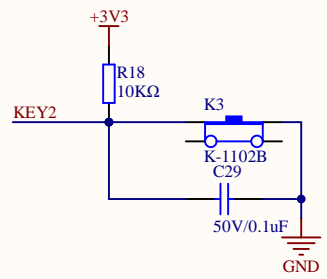
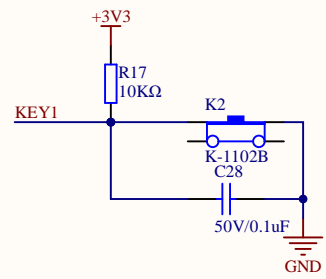
LED



Extension Pin



KEY



- PA0 KEY1
- PC13 KEY2
- PB14 KEY3

Company Name: GigaDevice

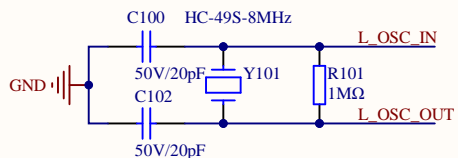
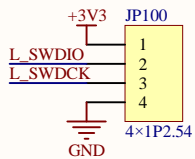
File Name: Extension

Revision: 1.0

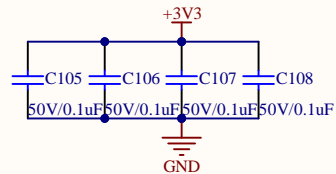
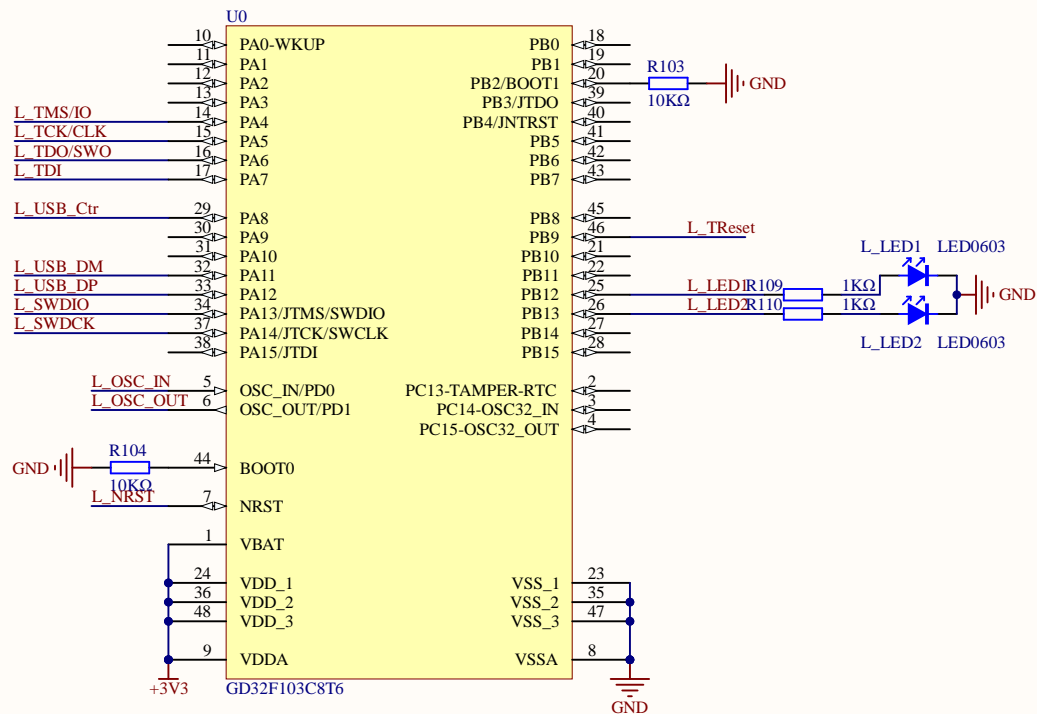
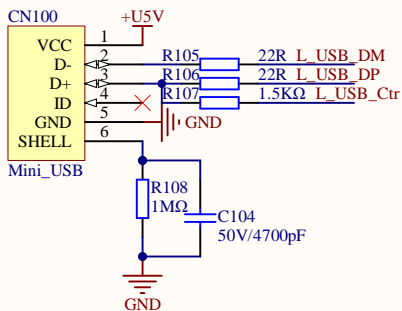
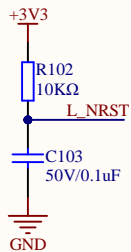
Data: 2013-8-20

Author: XuFei

MCU SWD



Reset



Company Name: GigaDevice

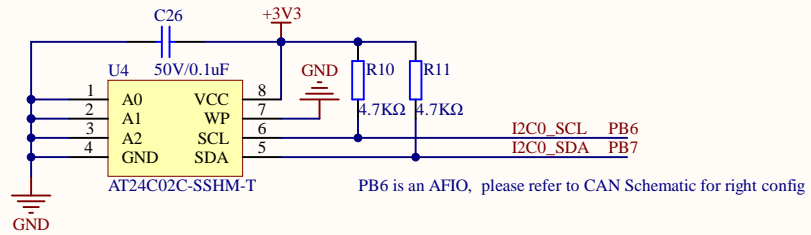
File Name: GDLink

Revision: 1.0

Data: 2016-03

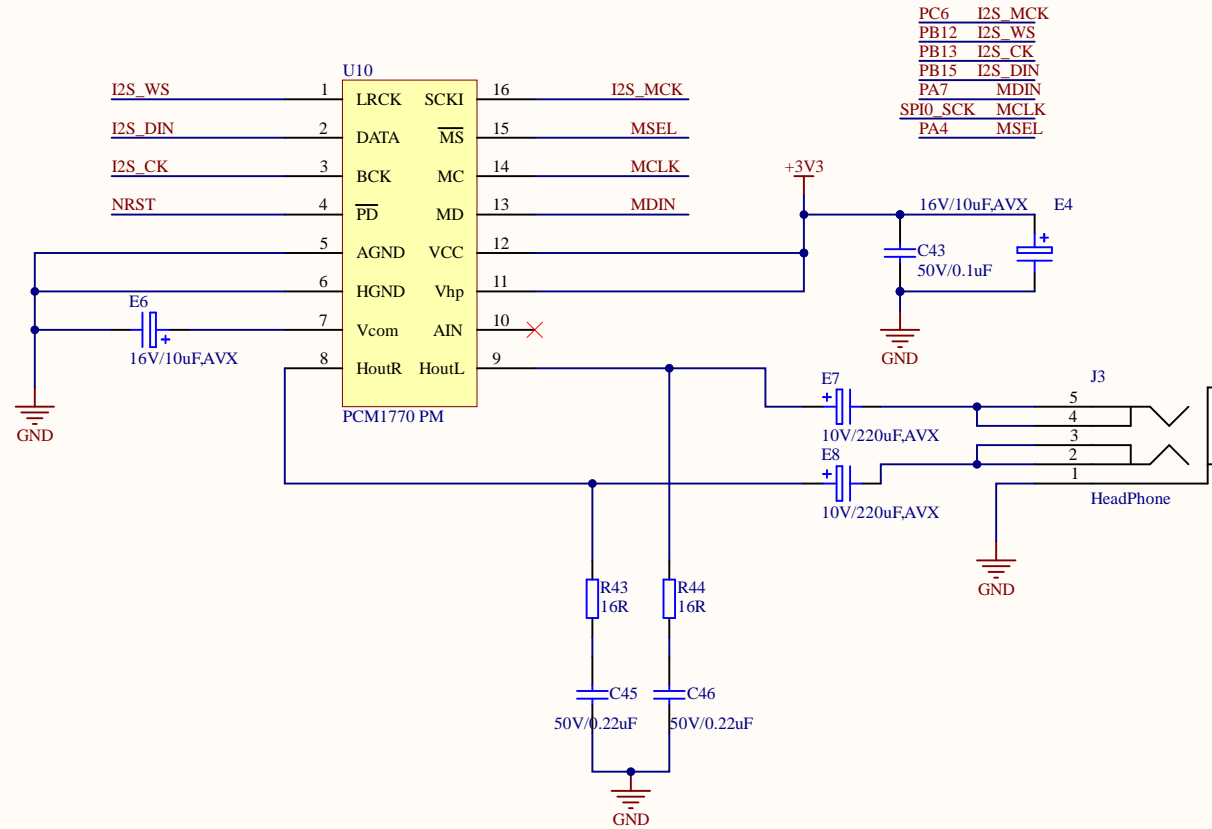
Author: XuFei

I2C



Company Name: GigaDevice		
File Name: I2C		
Revision: 1.0	Data: 2013-8-20	Author: XuFei

I2S



PC6	I2S_MCK
PB12	I2S_WS
PB13	I2S_CK
PB15	I2S_DIN
PA7	MDIN
SPI0_SCK	MCLK
PA4	MSEL

Company Name: GigaDevice

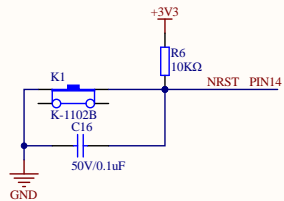
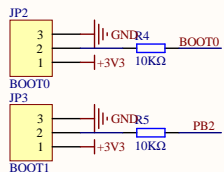
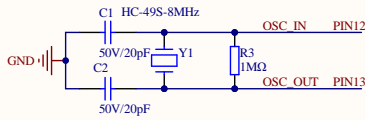
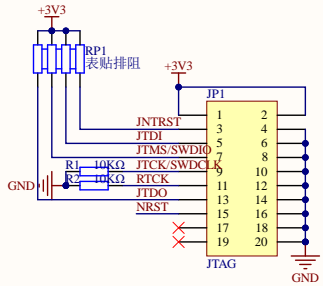
File Name: I2S

Revision: 1.1

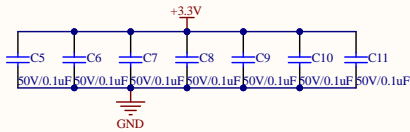
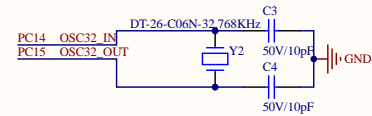
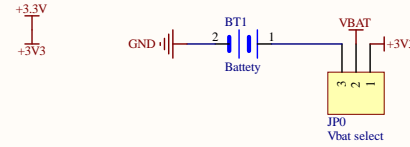
Data: 2015-2

Author: Xufei

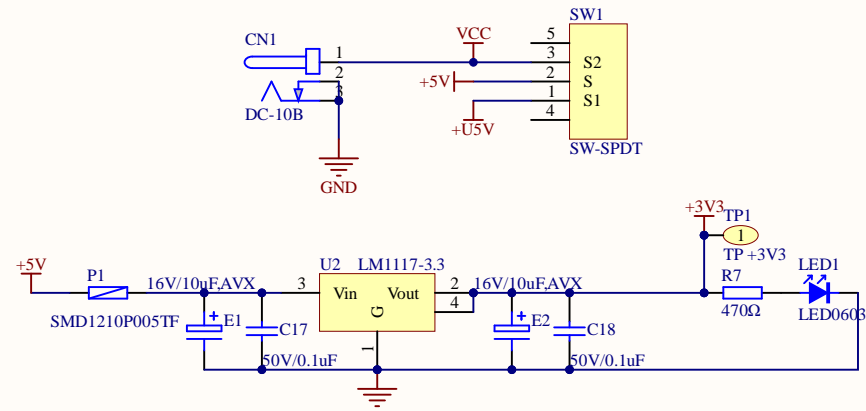
GDLink	JTAG	PB4
L_TDI	JTMS	PA15
L_TMS/IO	JTCK/SWDIO	PA13
L_TCK/CLK	JTCK/SWDCLK	PA14
L_TDO/SWO	JTDO	PB3
L_TReset	NRST	



PA0	23	PC0	15	PC0
PA1	24	PC1	16	PC1
PA2	25	PC2	17	PC2
PA3	26	PC3	18	PC3
PA4	27	PC4	19	PC4
PA5	30	PC5	20	PC5
PA6	31	PC6	21	PC6
PA7	32	PC7	22	PC7
PA8	67	PC8	65	PC8
PA9	68	PC9	66	PC9
PA10	69	PC10	67	PC10
PA11	70	PC11	68	PC11
PA12	71	PC12	69	PC12
PA13	72	PC13	70	PC13
PA14	73	PC14	71	PC14
PA15	74	PC15	72	PC15
PB0	35	PD0	81	PD0
PB1	36	PD1	82	PD1
PB2	37	PD2	83	PD2
PB3	89	PD3	84	PD3
PB4	90	PD4	85	PD4
PB5	91	PD5	86	PD5
PB6	92	PD6	87	PD6
PB7	93	PD7	88	PD7
PB8	95	PD8	55	PD8
PB9	96	PD9	56	PD9
PB10	47	PD10	57	PD10
PB11	48	PD11	58	PD11
PB12	51	PD12	59	PD12
PB13	52	PD13	60	PD13
PB14	53	PD14	61	PD14
PB15	54	PD15	62	PD15
PIN12	12	PE0	97	PE0
PIN13	13	PE1	98	PE1
		PE2	99	PE2
		PE3	100	PE3
		PE4	101	PE4
		PE5	102	PE5
		PE6	103	PE6
		PE7	104	PE7
		PE8	39	PE8
		PE9	40	PE9
		PE10	41	PE10
		PE11	42	PE11
		PE12	43	PE12
		PE13	44	PE13
		PE14	45	PE14
		PE15	46	PE15
		VSS_1	49	
		VSS_2	74	
		VSS_3	99	
		VSS_4	27	
		VSS_5	10	
		VSSA	19	
VDD_1	50			
VDD_2	75			
VDD_3	100			
VDD_4	28			
VDD_5	11			
VDDA	22			



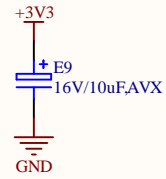
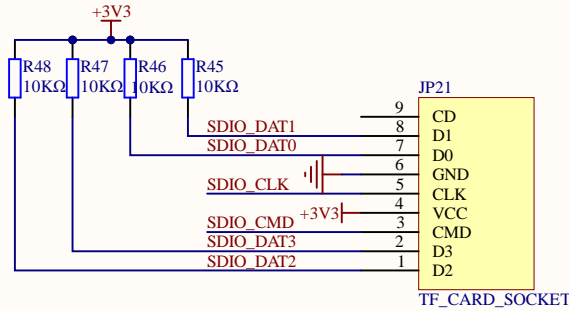
Company Name: GigaDevice		
File Name: MCU		
Revision: 1.0	Date: 2013-8-20	Author: XuFei



Company Name: GigaDevice		
File Name: Power		
Revision: 1.0	Data: 2013-8-20	Author: XuFei

SDIO

PC11	SDIO_DAT3
PD2	SDIO_CMD
PC12	SDIO_CLK
PC8	SDIO_DAT0
PC9	SDIO_DAT1
PC10	SDIO_DAT2



Company Name: GigaDevice

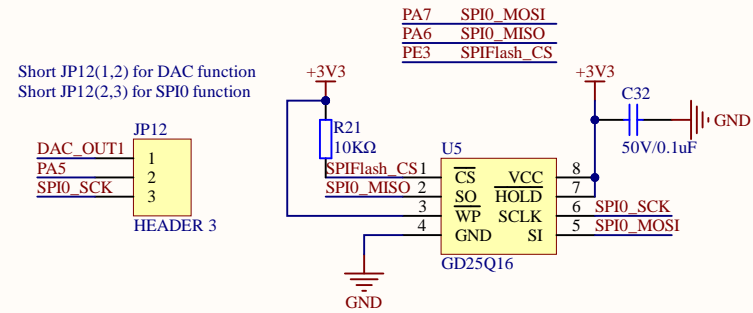
File Name: SDIO

Revision: 1.1

Data: 2015-2

Author: Xufei

SPI Flash



Company Name: GigaDevice

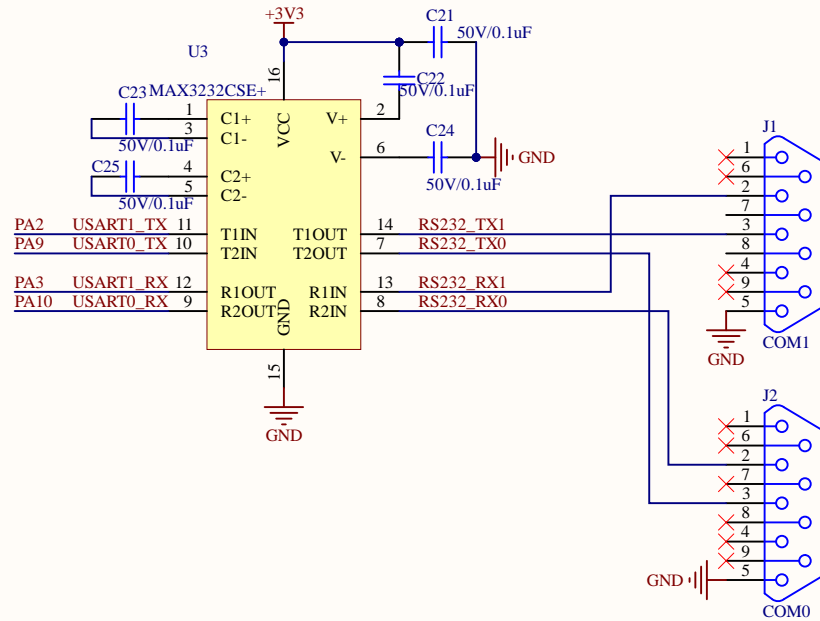
File Name: SPI

Revision: 1.0

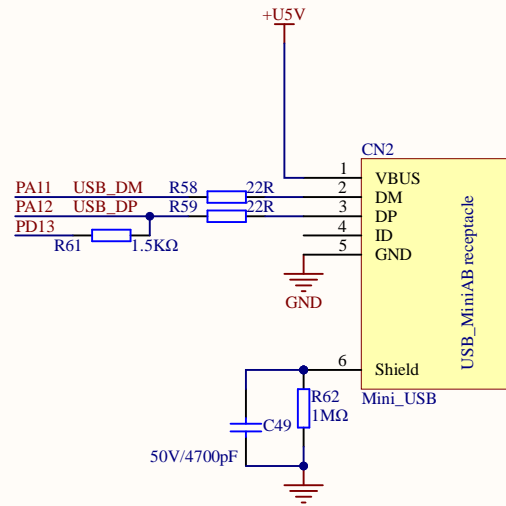
Data: 2013-8-20

Author: XuFei

USART0/USART1



Company Name: GigaDevice		
File Name: USART		
Revision: 1.0	Data: 2018-12	Author: XuFei



Company Name: GigaDevice		
File Name: USBD		
Revision: 1.1	Data: 2018-12	Author: Xufei

