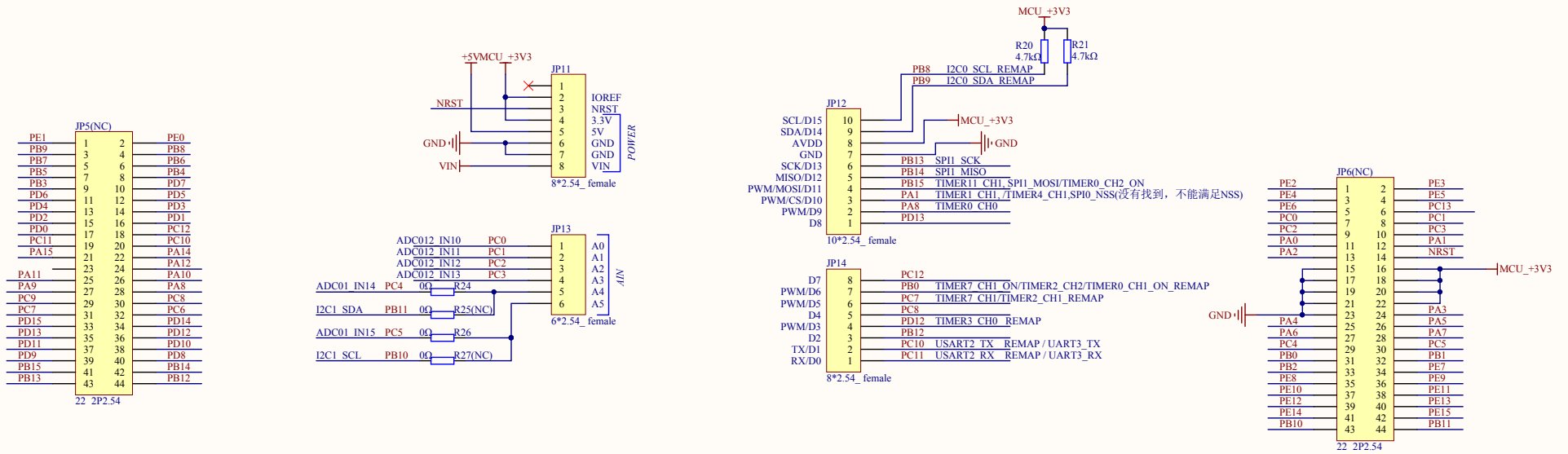


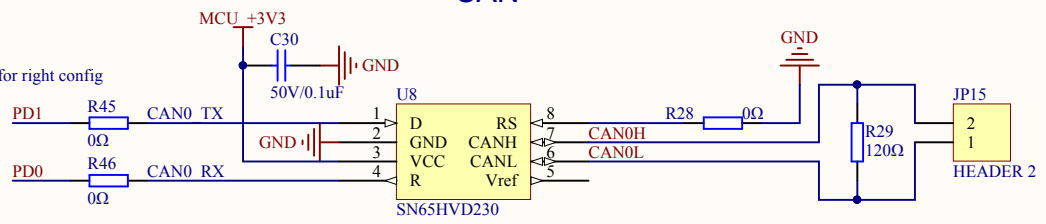
Arduino uno connector



Company Name: GigaDevice		
File Name: Arduino		
Revision: 1.0	Data: 2018-10	Author: kywang

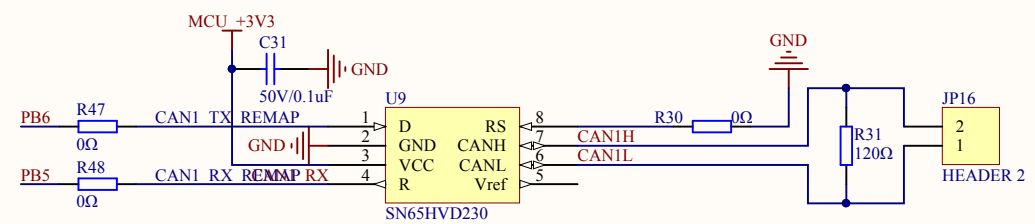
CAN

PD0 PD1 are AFIOs, refer to EXMC_LCD schematic for right config



PB6 is an AFIO, refer to I2C schematic for right config

PB5 is an AFIO, refer to LCD schematic for right config



Company Name: GigaDevice		
File Name: CAN		
Revision: 1.0	Data: 2018-10	Author: kywang

A

B

C

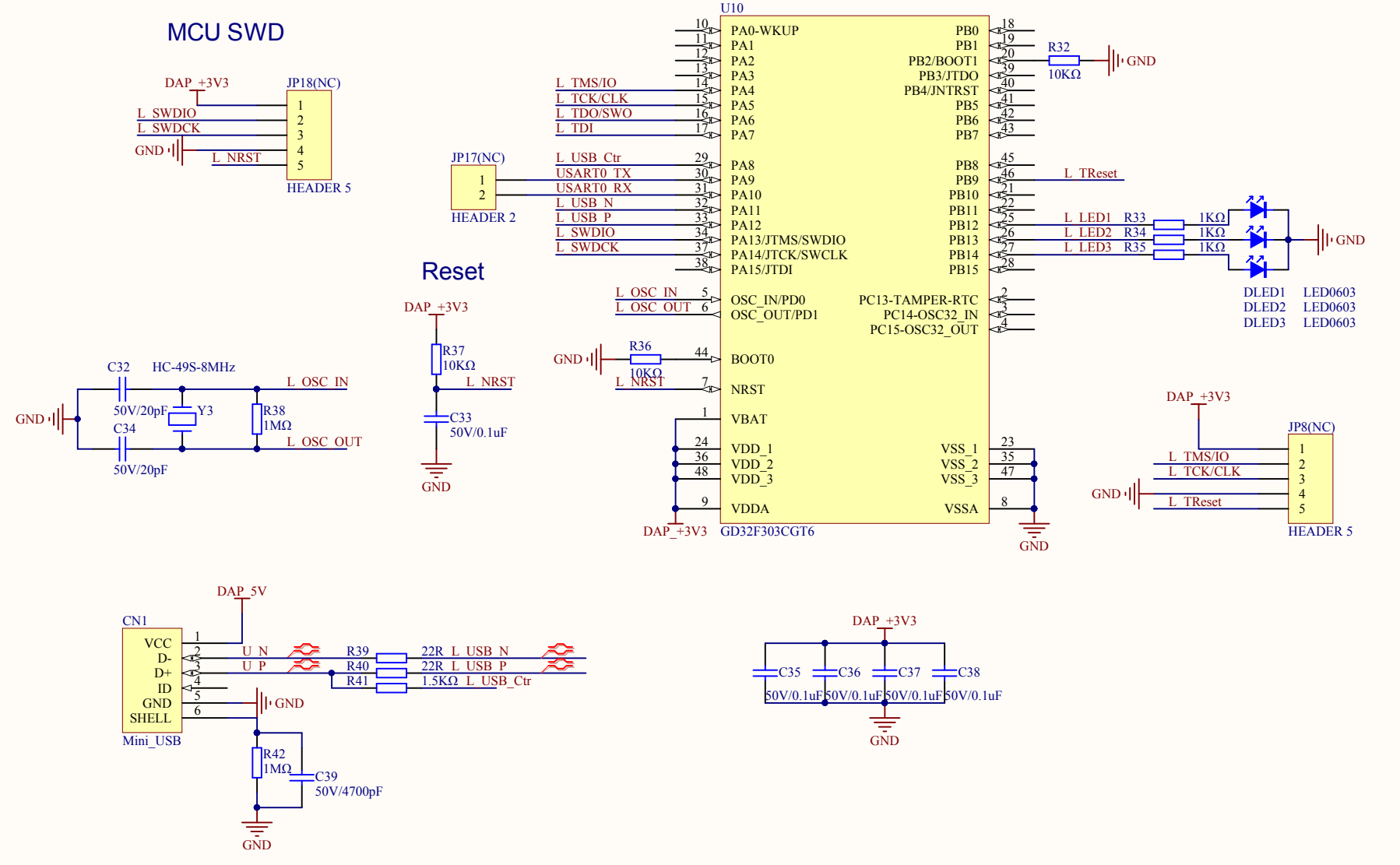
D

A

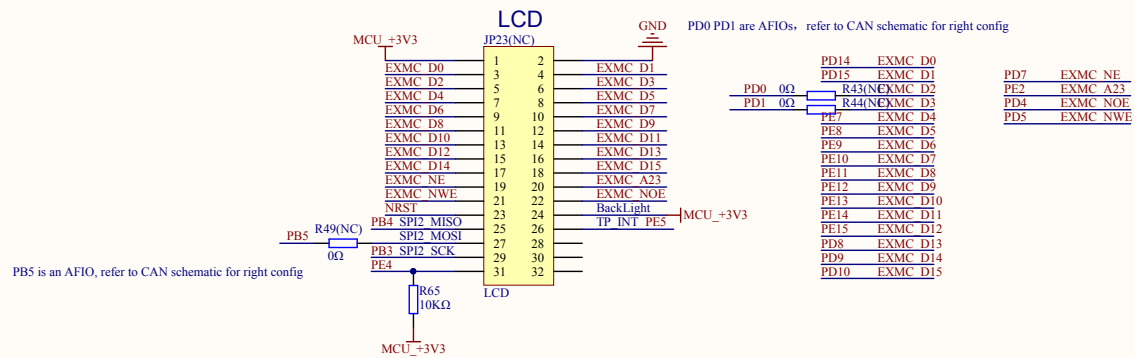
B

C

D



Company Name: GigaDevice		
File Name: DAPLink		
Revision: 1.0	Data: 2018-10	Author: kywang



Company Name: GigaDevice

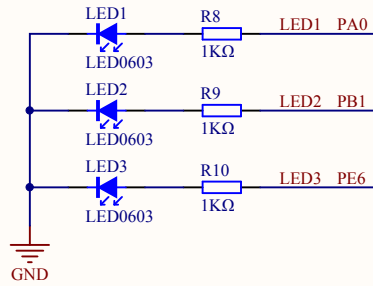
File Name: EXMC

Revision: 1.0

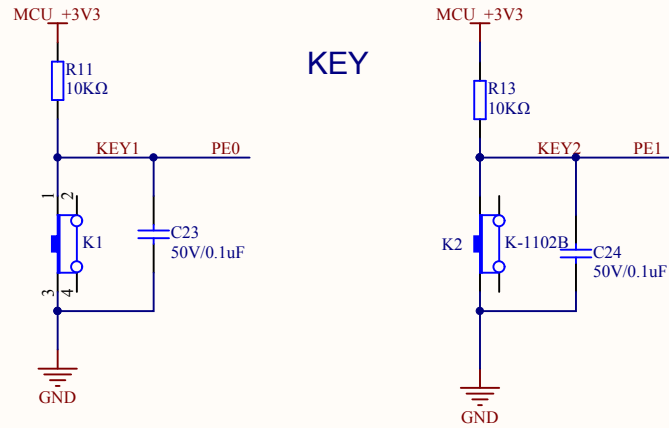
Date: 2018-10

Author: kywang

LED



KEY



Company Name: GigaDevice

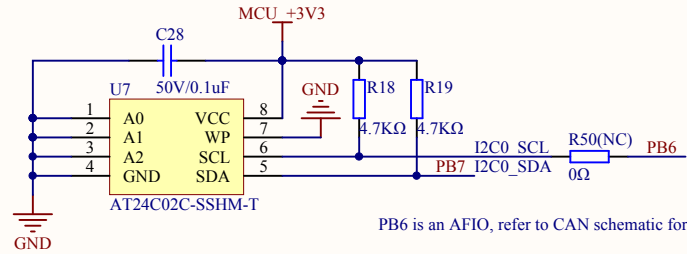
File Name: Extension

Revision: 1.0

Data: 2018-10

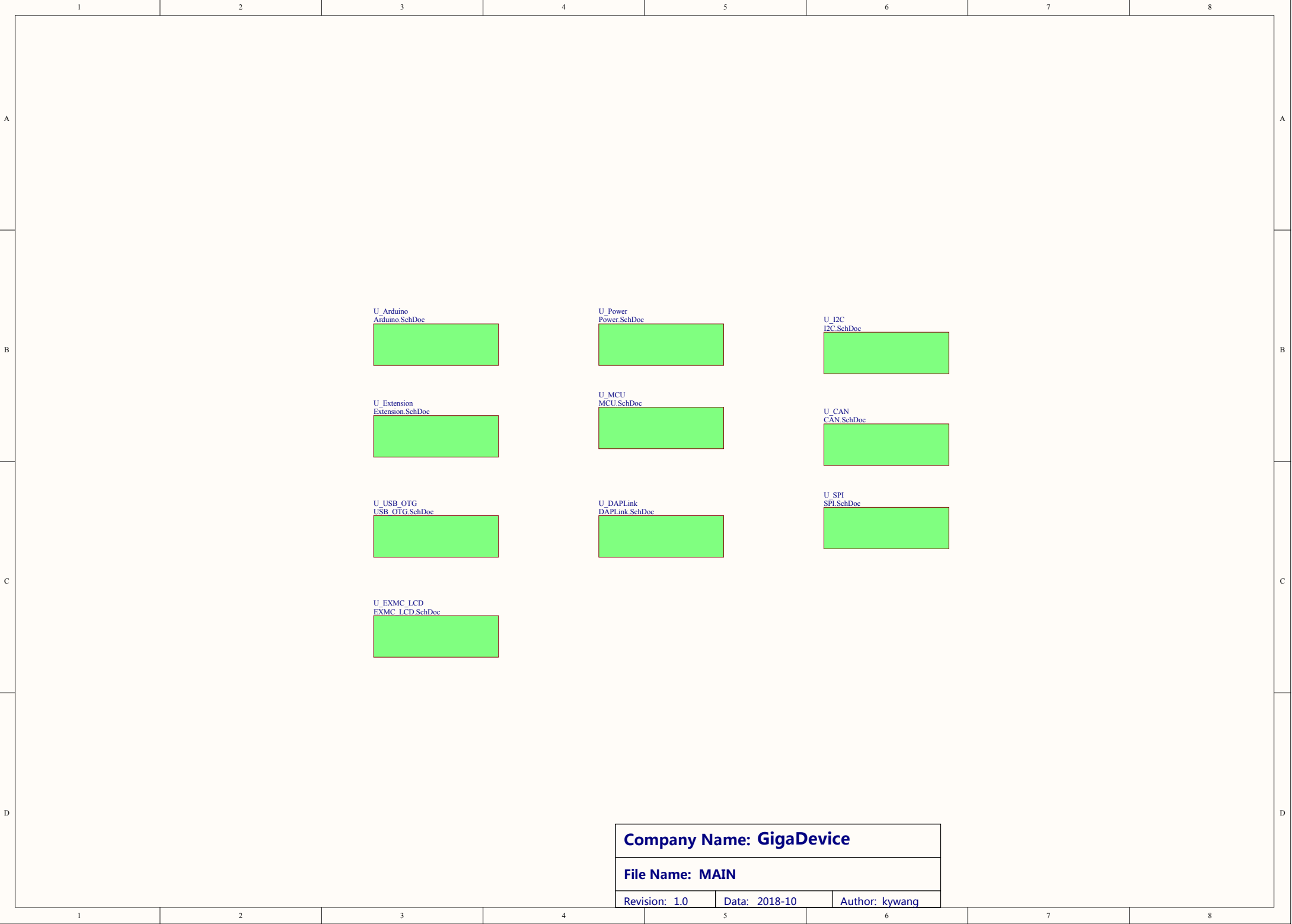
Author: kywang

I2C

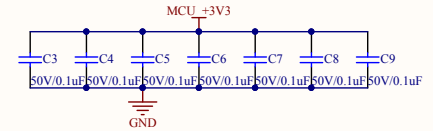
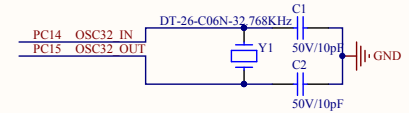
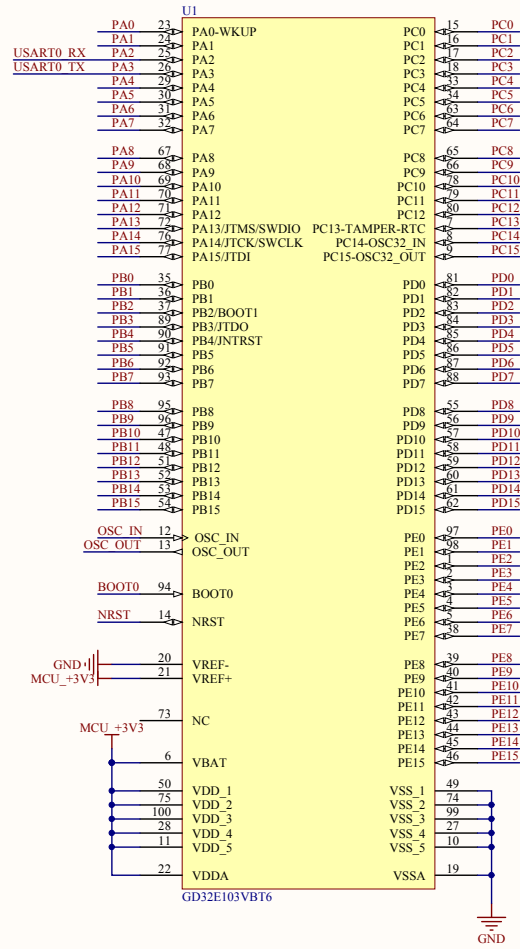
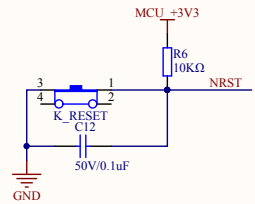
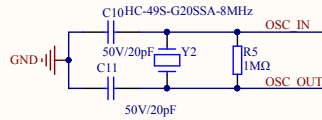
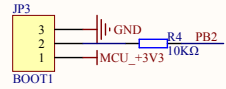
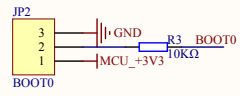
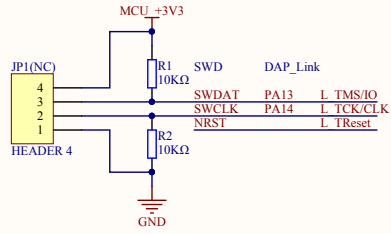


PB6 is an AFIO, refer to CAN schematic for right config

Company Name: GigaDevice		
File Name: I2C_SMbus		
Revision: 1.0	Data: 2018-10	Author: kywang



Company Name: GigaDevice		
File Name: MAIN		
Revision: 1.0	Data: 2018-10	Author: kywang



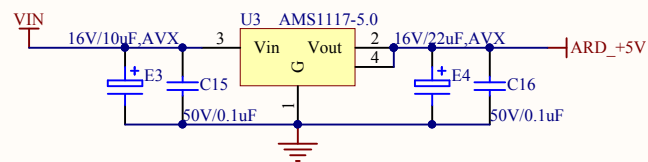
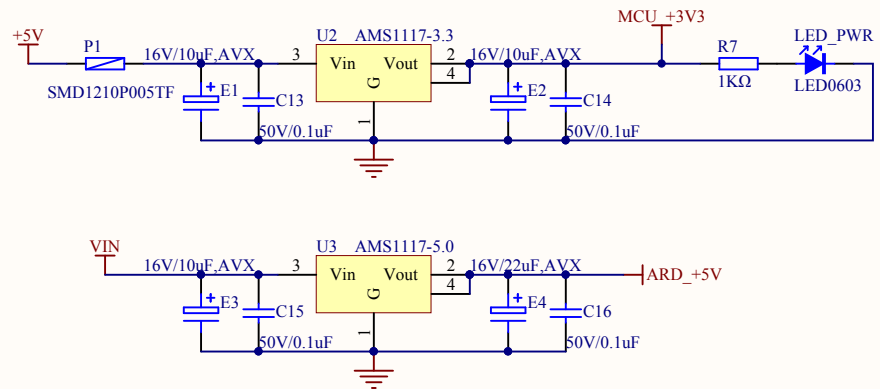
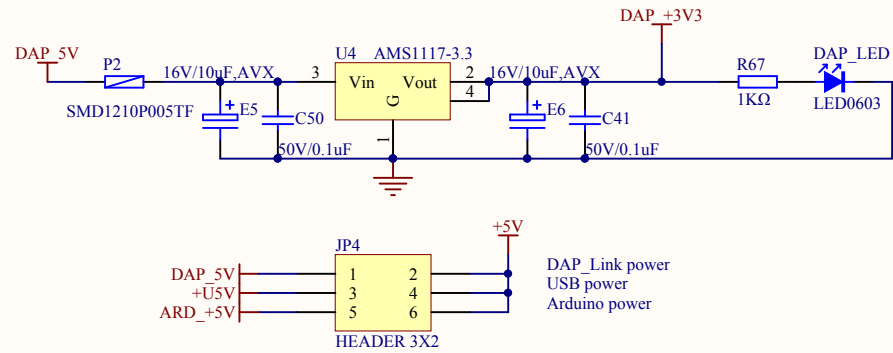
Company Name: GigaDevice

File Name: MCU

Revision: 1.0

Date: 2018-10

Author: kywang



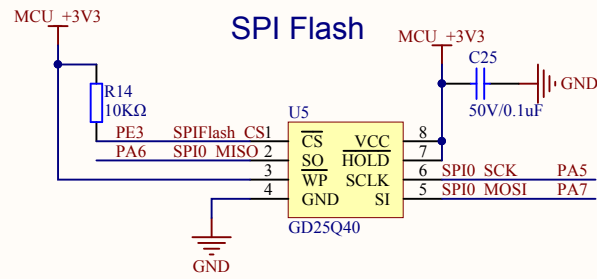
Company Name: GigaDevice

File Name: Power

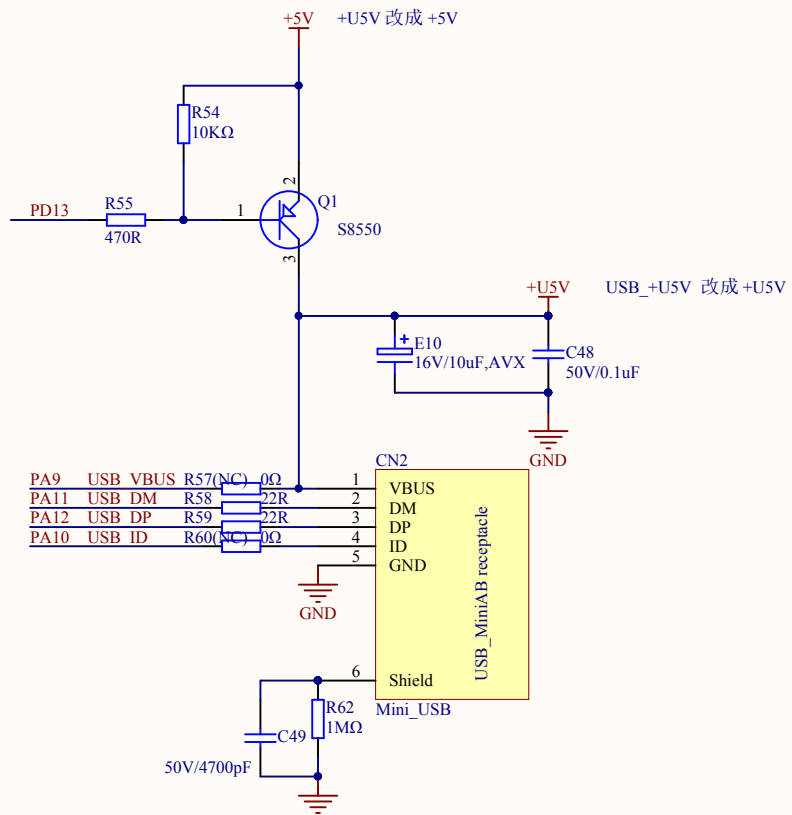
Revision: 1.0

Data: 2018-10

Author: kywang



Company Name: GigaDevice		
File Name: SPI		
Revision: 1.0	Data: 2018-10	Author: kywang



Company Name: GigaDevice

File Name: USBFS

Revision: 1.1

Data: 2018-1

Author: Xufei

