

SPECIFICATION

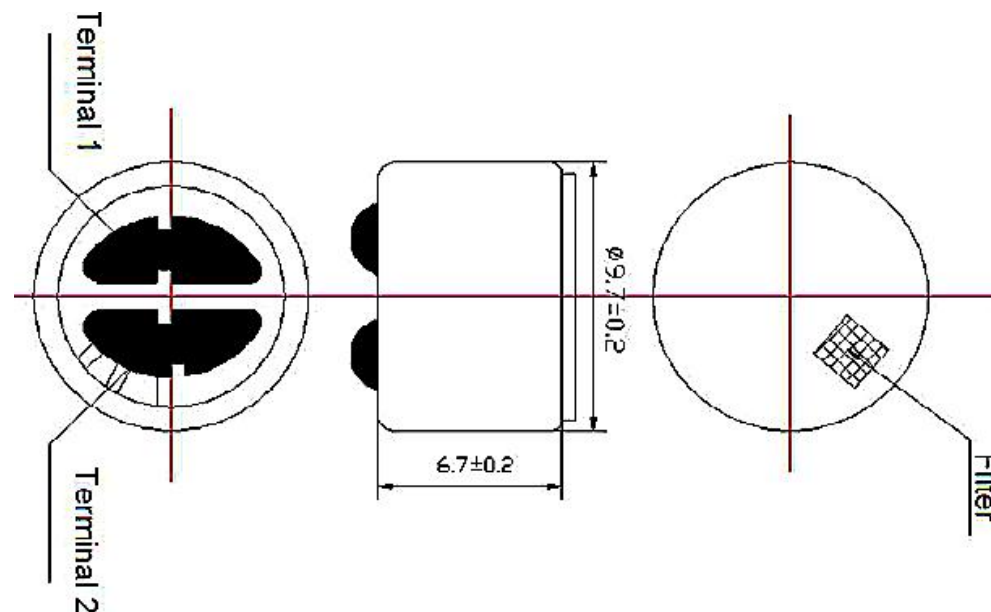
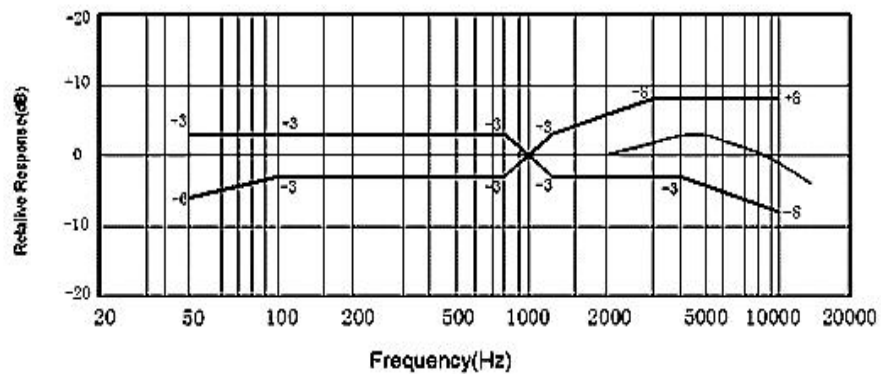
1	Model No.	MIC-9767-30
2	Size	Φ9.7X6.7mm
3	Sensitivity	-30dB+/-2 dB
4	Impedance	2.2K OHM
5	Directivity	Omni-directional
6	Current Consumption	500μA
7	Operation Voltage Range	4.5V(1.0~10.0)
8	S/N Ratio	40 dB Min
9	Decreasing Voltage Characteristic	-3 dB



REVISION HISTORY

LTR	DESCRIPTION	DATE	APPROVED
-	RELEASED FROM ENGINEERING	9/23/2003	Y M
A			
B			
C			

f=1KHz,S.P.L=1μBar,VS=4.5-3.0V,Distortion<1%



NOTES:

- 1.ALL DIMENSIONS ARE IN MILLIMETERS
- 2.SPECIFICATIONS SUBJECT TO CHANGE WITHOUT NOTICE

UNLESS OTHERWISE SPECIFIED, DIMENSIONS ARE IN MILLIMETERS TOLERANCES ARE +/-0.5 AND ANGLES ARE +/-3°	SIZE	Designed by	Date	Checked by	Date	Approved by	Date	Drawed date
	A4			MIC-9767-30		C/MIC	Edition	