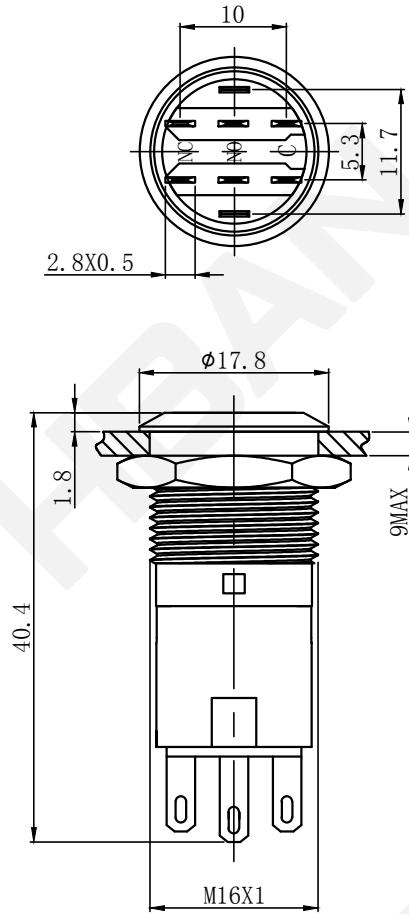
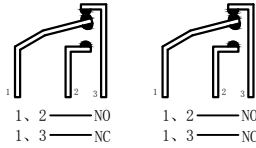


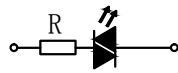
UNIT: mm (毫米)



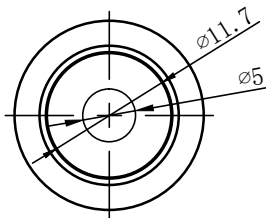
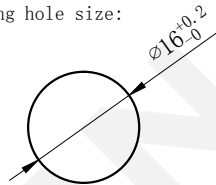
开关结构说明:  
Switch structure description:



灯珠等效电路:  
Lamp bead equivalent circuit:



安装孔尺寸:  
Mounting hole size:



Technical requirements:

1. The surface is smooth without burr
2. Rated voltage: 1th: 5A Ui: 250V
3. Working environment temperature: -25 ~ +65
4. Operation type: Momentary; Latching
5. Movement stroke: About 3.2 mm
6. Connection form: Matching connectors/Welding wire
7. Tightening torque: about 0.6 nm
8. Contact configuration: 1N01NC

9. Appearance material:  
Button surface: PC/Nickel-plated brass/Stainless steel/Aluminum  
Housing: Nickel-plated brass/Stainless steel/Aluminum  
Base: PBT  
Contact: Silver alloy

10. Lamp bead parameters:  
Rated voltage: 6V/12V/24V/36V; 110V/220V; Other voltages can be customized  
Rated current: 20 mA

11. LED Color: Red/Green/Yellow/Orange/Blue/White
12. LED Life: 50,000 hours

Performance requirements:

1. Protection grade: IP67
2. Contact resistance: 50 m
3. Insulation resistance: 100 m
4. Dielectric Intensity: AC2500V, 1 min, No flicker or breakdown
5. Life:  
Electrical part: No abnormal movement for 50,000 times, under rated load  
Mechanical part: No abnormal movement for 1000,000 times

HBAN  
红波

Autodesk

Autodesk

描 图

描 校

底 图 号

装 订 号

|          |             |              |                   |             |  |
|----------|-------------|--------------|-------------------|-------------|--|
|          |             |              |                   |             | SHANGHAI HONGBO ELECTRIC CO. LTD.              |
|          |             |              |                   |             | 上海红波电器有限公司                                     |
| 标记       | 处数          | 更改文件号        | 签字                | 日期          | 名称(TITLE):<br>M16 Emergency stop button switch |
| 制图       | APPD.<br>审核 | SCALE.<br>比例 | countersign<br>会签 | Date.<br>日期 | M16金属防水按钮开关                                    |
| 倪力晓      | 陈秋霞         | 1.5:1        |                   | 2019.11.14  | 图号(DWG NO):<br>HBS1-AGQ16F-11D(Z)/J            |
| PW<br>单重 |             | P.<br>页码     | 第1页 共1页(1/1)      |             |  |