

General Description

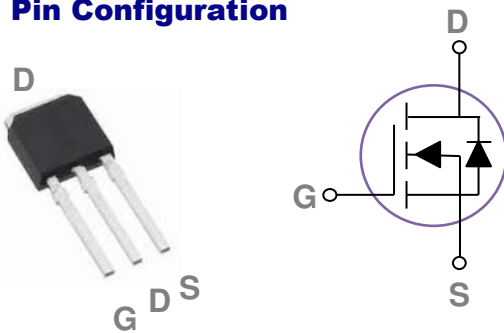
These N-Channel enhancement mode power field effect transistors are using trench DMOS technology. This advanced technology has been especially tailored to minimize on-state resistance, provide superior switching performance, and withstand high energy pulse in the avalanche and commutation mode. These devices are well suited for high efficiency fast switching applications.

BVDSS	RDSON	ID
800V	3.9Ω	3.2A

Features

- 800V,3.2A, $R_{DS(ON)} = 3.9\Omega @ V_{GS} = 10V$
- Improved dv/dt capability
- Fast switching
- 100% EAS Guaranteed
- Green Device Available

TO251 Pin Configuration



Applications

- Networking
- Load Switch
- LED applications
- Quick Charger

Absolute Maximum Ratings $T_c=25^\circ\text{C}$ unless otherwise noted

Symbol	Parameter	Rating	Units
V_{DS}	Drain-Source Voltage	800	V
V_{GS}	Gate-Source Voltage	± 30	V
I_D	Drain Current – Continuous ($T_c=25^\circ\text{C}$)	3.2	A
	Drain Current – Continuous ($T_c=100^\circ\text{C}$)	2	A
I_{DM}	Drain Current – Pulsed ¹	12.8	A
EAS	Single Pulse Avalanche Energy ²	135	mJ
IAS	Single Pulse Avalanche Current ²	3	A
P_D	Power Dissipation ($T_c=25^\circ\text{C}$)	94	W
	Power Dissipation – Derate above 25°C	0.75	W/ $^\circ\text{C}$
T_{STG}	Storage Temperature Range	-50 to 150	$^\circ\text{C}$
T_J	Operating Junction Temperature Range	-50 to 150	$^\circ\text{C}$

Thermal Characteristics

Symbol	Parameter	Typ.	Max.	Unit
$R_{\theta JA}$	Thermal Resistance Junction to ambient	---	62	$^\circ\text{C}/\text{W}$
$R_{\theta JC}$	Thermal Resistance Junction to Case	---	1.33	$^\circ\text{C}/\text{W}$

Electrical Characteristics (T_J=25 °C, unless otherwise noted)
Off Characteristics

Symbol	Parameter	Conditions	Min.	Typ.	Max.	Unit
BV _{DSS}	Drain-Source Breakdown Voltage	V _{GS} =0V , I _D =250μA	800	---	---	V
ΔBV _{DSS} /ΔT _J	BV _{DSS} Temperature Coefficient	Reference to 25°C , I _D =1mA	---	0.75	---	V/°C
I _{DSS}	Drain-Source Leakage Current	V _{DS} =800V , V _{GS} =0V , T _J =25°C	---	---	1	μA
		V _{DS} =640V , V _{GS} =0V , T _J =125°C	---	---	50	μA
I _{GSS}	Gate-Source Leakage Current	V _{GS} =±30V , V _{DS} =0V	---	---	±100	nA

On Characteristics

R _{DS(ON)}	Static Drain-Source On-Resistance	V _{GS} =10V , I _D =2A	---	3.4	3.9	Ω
V _{GS(th)}	Gate Threshold Voltage	V _{GS} =V _{DS} , I _D =250μA	2.5	3.4	4.5	V
g _{fs}	Forward Transconductance	V _{DS} =10V , I _D =1A	---	3	---	S

Dynamic and switching Characteristics

Q _g	Total Gate Charge ^{3, 4}	V _{DS} =640V , V _{GS} =10V , I _D =3A	---	19	---	nC
Q _{gs}	Gate-Source Charge ^{3, 4}		---	4	---	
Q _{gd}	Gate-Drain Charge ^{3, 4}		---	9	---	
T _{d(on)}	Turn-On Delay Time ^{3, 4}	V _{DD} =400V , V _{GS} =10V , R _G =25Ω I _D =3A	---	17	---	ns
T _r	Rise Time ^{3, 4}		---	29	---	
T _{d(off)}	Turn-Off Delay Time ^{3, 4}		---	52	---	
T _f	Fall Time ^{3, 4}		---	29	---	
C _{iss}	Input Capacitance	V _{DS} =25V , V _{GS} =0V , F=1MHz	---	680	---	pF
C _{oss}	Output Capacitance		---	55	---	
C _{rss}	Reverse Transfer Capacitance		---	9.5	---	
R _g	Gate resistance	V _{GS} =0V , V _{DS} =0V , F=1MHz	---	3.6	---	Ω

Drain-Source Diode Characteristics and Maximum Ratings

Symbol	Parameter	Conditions	Min.	Typ.	Max.	Unit
I _S	Continuous Source Current	V _G =V _D =0V , Force Current	---	---	3.2	A
I _{SM}	Pulsed Source Current		---	---	6.4	A
V _{SD}	Diode Forward Voltage	V _{GS} =0V , I _S =1A , T _J =25°C	---	---	1	V
t _{rr}	Reverse Recovery Time	V _{GS} =0V , I _S =2A , di/dt=100A/μs T _J =25°C	---	151	---	nS
Q _{rr}	Reverse Recovery Charge		---	1.34	---	μC

Note :

1. Repetitive Rating : Pulsed width limited by maximum junction temperature.
2. V_{DD}=50V, V_{GS}=10V, L=30mH, I_{AS}=3A., R_G=25Ω, Starting T_J=25°C.
3. The data tested by pulsed , pulse width ≤ 300us , duty cycle ≤ 2%.
4. Essentially independent of operating temperature.

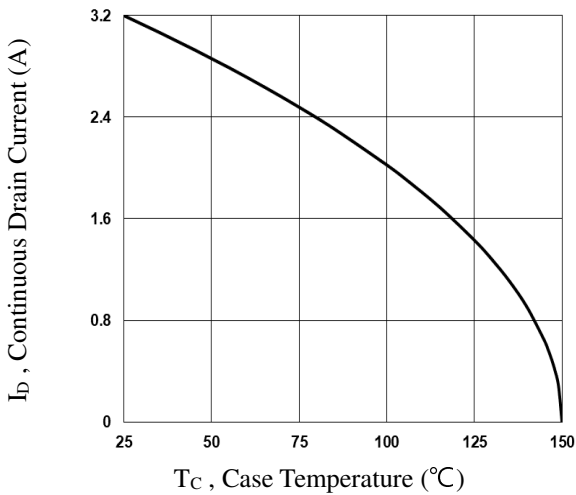


Fig.1 Continuous Drain Current vs. T_c

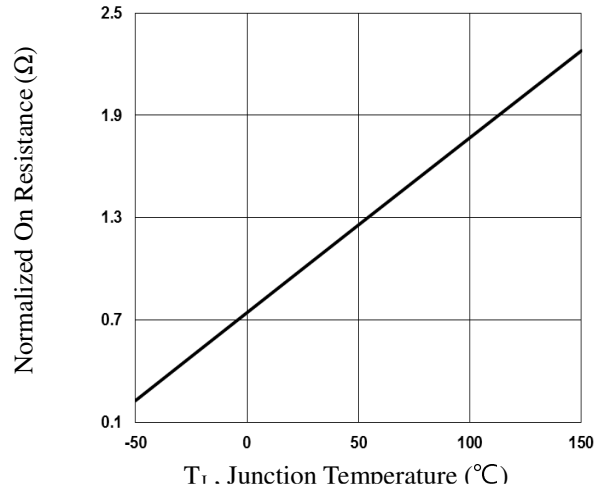


Fig.2 Normalized $R_{DS(on)}$ vs. T_j

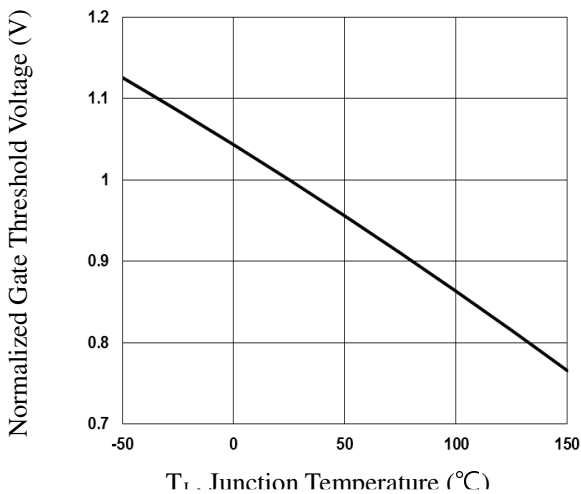


Fig.3 Normalized V_{th} vs. T_j

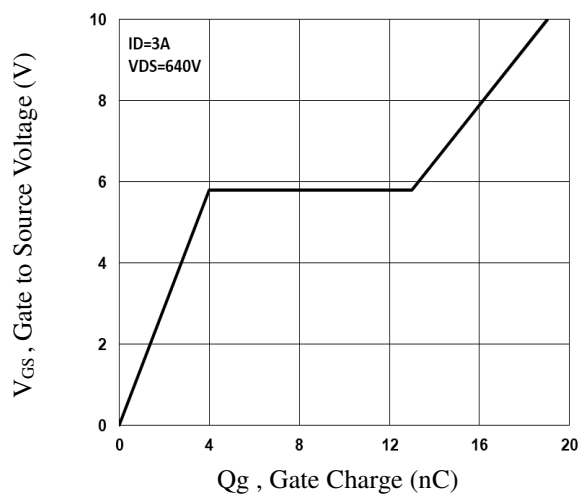


Fig.4 Gate Charge Characteristics

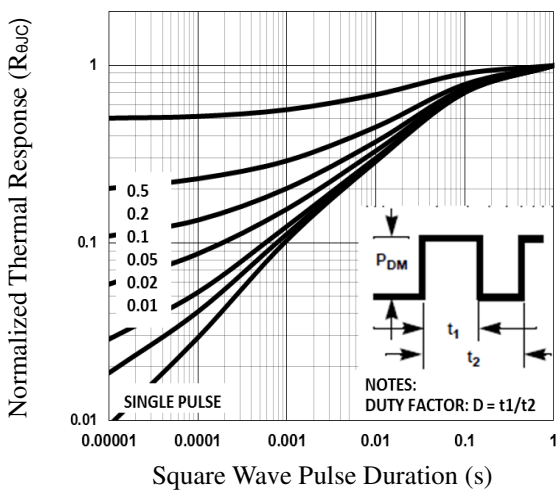


Fig.5 Normalized Transient Impedance

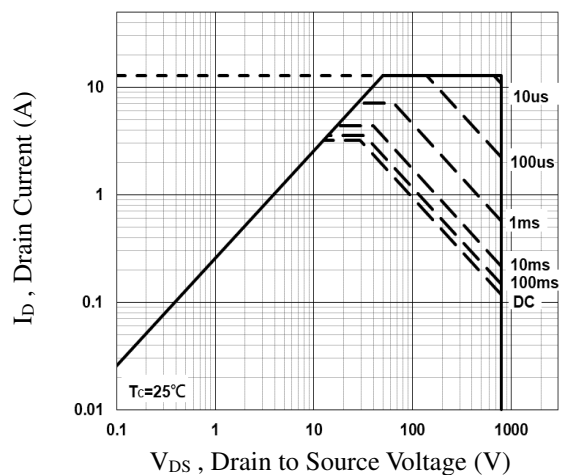


Fig.6 Maximum Safe Operation Area

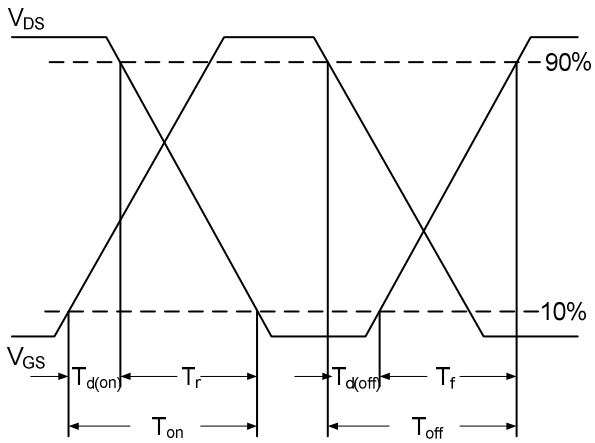


Fig.7 Switching Time Waveform

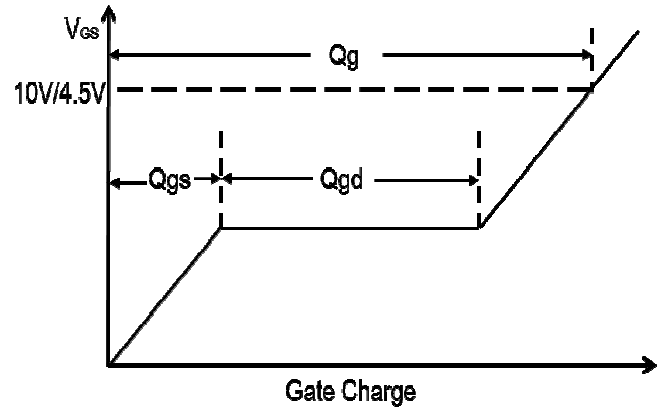
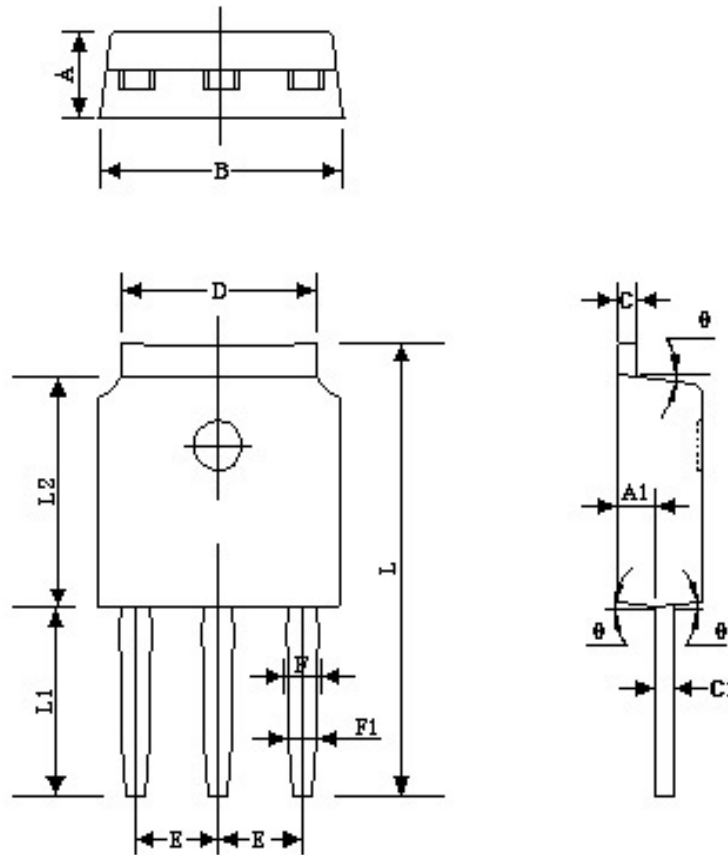


Fig.8 Gate Charge Waveform

TO251 PACKAGE INFORMATION



Symbol	Dimensions In Millimeters		Dimensions In Inches	
	MAX	MIN	MAX	MIN
A	2.400	2.200	0.094	0.087
A1	1.110	0.910	0.044	0.036
B	6.700	6.500	0.264	0.256
C	0.580	0.460	0.023	0.018
C1	0.580	0.460	0.023	0.018
D	5.460	5.100	0.215	0.201
E	2.386	2.186	0.094	0.086
F	0.940	0.740	0.037	0.029
F1	0.860	0.660	0.034	0.026
L	12.300	11.700	0.484	0.461
L1	5.200	4.800	0.205	0.189
L2	6.200	6.000	0.244	0.236
θ	9°	3°	9°	3°