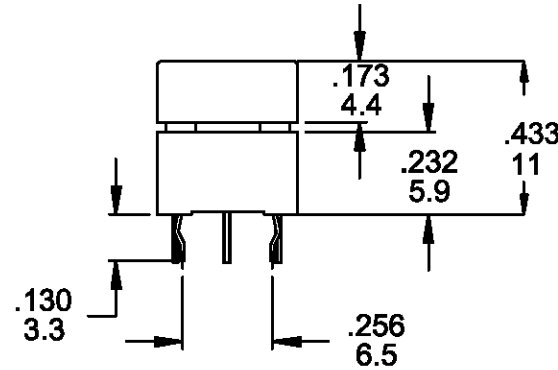
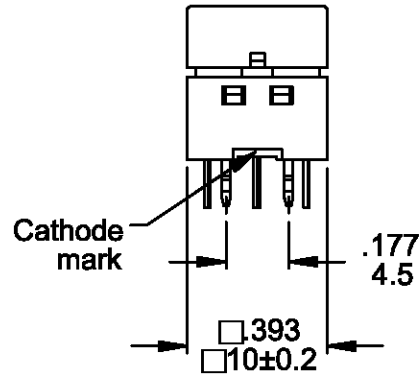


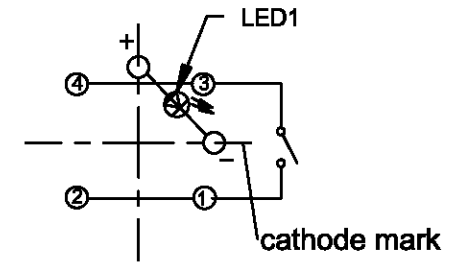
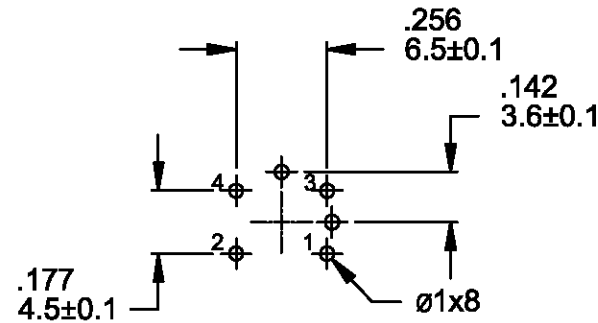
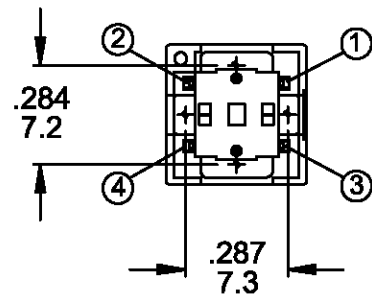
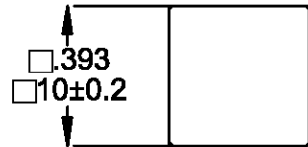
惠州宏利源电器有限公司 HONYONE ELECTRICAL APPLIANCE CO.,LTD

TS7



SPECIFICATIONS

Circuit	:SPST
Current rating	:50mA
Voltage rating	:12VDC
Dielectric withstanding voltage	:250VAC for 1 minute
Contact resistance	:100mΩ Max. (Initial)
Insulation resistance	:100MΩ Min.
Operating force	:160±50gf
Total travel	:0.25mm±0.1mm
Operating life	:500,000 cycles Min
Solder specifications	:260° C for 5 seconds
Function	:Momentary
Operating temperature	:-25° C ~ +70° C



PCB MOUNTING(TOP VIEW)

Dua Color Led

CIRCUIT(TOP VIEW)

Dua Color Led

				公差 TOLERANCES		.X± 0.3	.XX± 0.15	角度 ANGLE ± 1°		单位 DIMENSION UNIT	mm.
				版本 VERSION	A0	比例尺 SCALE	NONE	日期 DATE	2010.11.01	品名 TITLE	图号 DRAWING NO
A0	New Issue	2010.11.01	N/A	核准	Richard	核对	Sinc	绘图	Sinc	TS7-2T-NX-0	TS7-2T-NX-0_CP_A0
版本 VER.	变更说明 CHANGE DESCRIPTION	日期 DATE	ECN NO.	APPROVED BY	Richard	CHECKED BY	Sinc	DRAWN BY	Sinc		