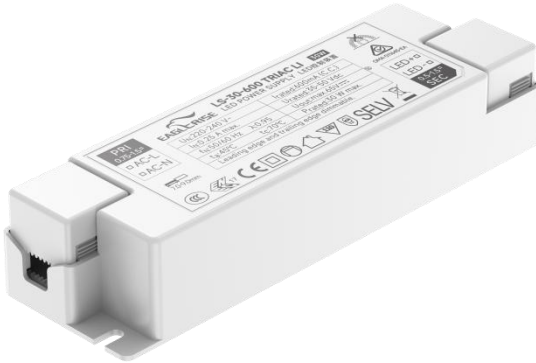


30W Triac Dimming power supply



Features

- Class II, SELV, independent
- Input Voltage: 220-240VAC
- Protections: SCP/OLP/OVP
- Power Factor: 0.95
- Efficiency: 86%
- 5 years warranty
- IP20

Applications

- LED panel, LED down light
- LED spot light

■ Approve

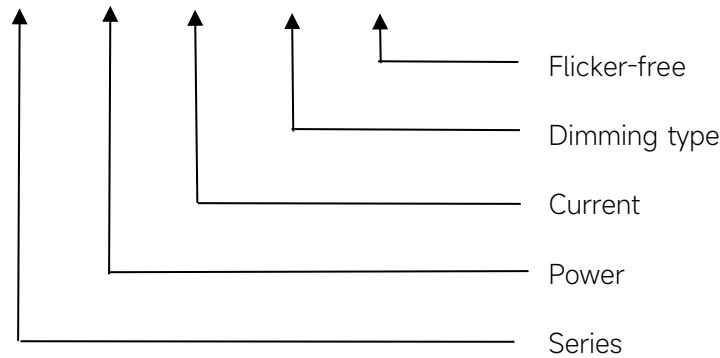


◆ Description

LS-30-XXX TRIAC LI is a 30W constant current LED driver that operates from 198-264Vac input with 350-900mA output current. With it's compact dimensions from 150 X 45 X 30 mm it is easy to integrate in LED panel, pendant light and down light products. To ensure trouble-free operation, protection is provided against output short circuit and over Load.

◆ Model code

LS-30-XXX TRIAC LI



◆ Specification

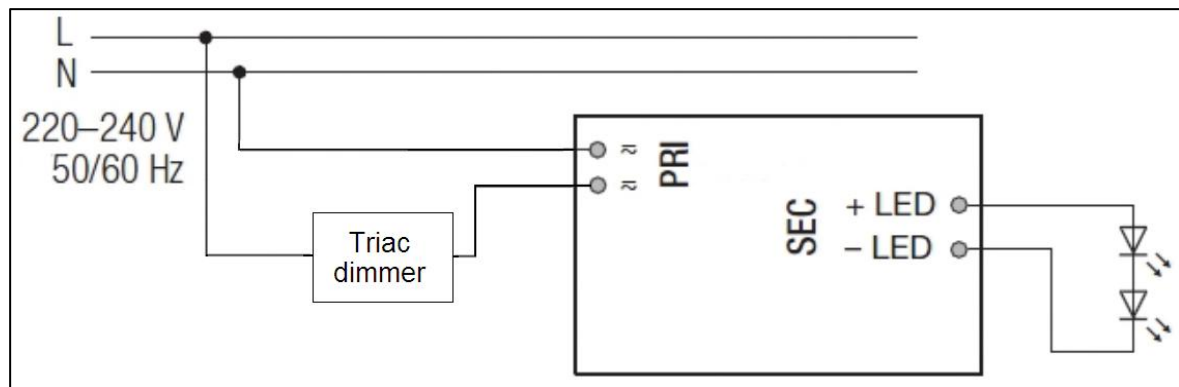
Output	Constant Current (mA)	350mA	400mA	900mA
	Voltage Range(VDC)	60-85V	50-75V	22-34V
	Unload voltage Max.(VDC)	105V	93V	49V
	Current Accuracy	±5%			
	Output HF current ripple(≥1KHz)	±5%			
	Output LF current ripple(≤120Hz)	±5%			
	SVM	<0.4			
	P _{st}	<1			
	Efficiency(Typ.)	≥86%			
Input	Rated input voltage(VAC)	220-240VAC			
	Range of input voltage(VAC)	198-264VAC			
	Range of input voltage(VDC)	198-280VDC			
	Frequency(Hz)	50/60 Hz			
	Displacement factor	≥0.9			
	Power Factor	0.95±0.05			
	Input Current max	0.25A MAX.			
	Start-up time	< 0.5S			
	No Load Power	≤1W			
	THD (Typ.)	< 25% @Full Load,230VAC			
	Dimming	Dimming	YES		
Dimming mode		Triac, Leading edge & trailing edge dimmable			
Dimming depth		10%			
Dimming current range		10 ~ 100%			
Protection	Over Load Protection	103-120% YES/Latch off			
	Over Voltage Protection	>105VDC	>93VDC	...	>49VDC
	Short circuit Protection	YES/Latch off			
Environment	Operating Temperature	-20°C...+50°C			
	Humidity	20%-90%RH			
	Tc	70°C			
	Storage Temperature	-20°C...+60°C			
	Life time	> 30,000h@ta=45°C			
Surface	Dimension	150X45X30 (LXWXH)mm			
standards	EN 61347-1,EN 61347-2-13;GB 19510.1,GB 19510.14;EN 62384;EN IEC 55015,EN IEC 61000-3-2,EN 61000-3-3;GB/T 17743,GB 17625.1;EN 61547				

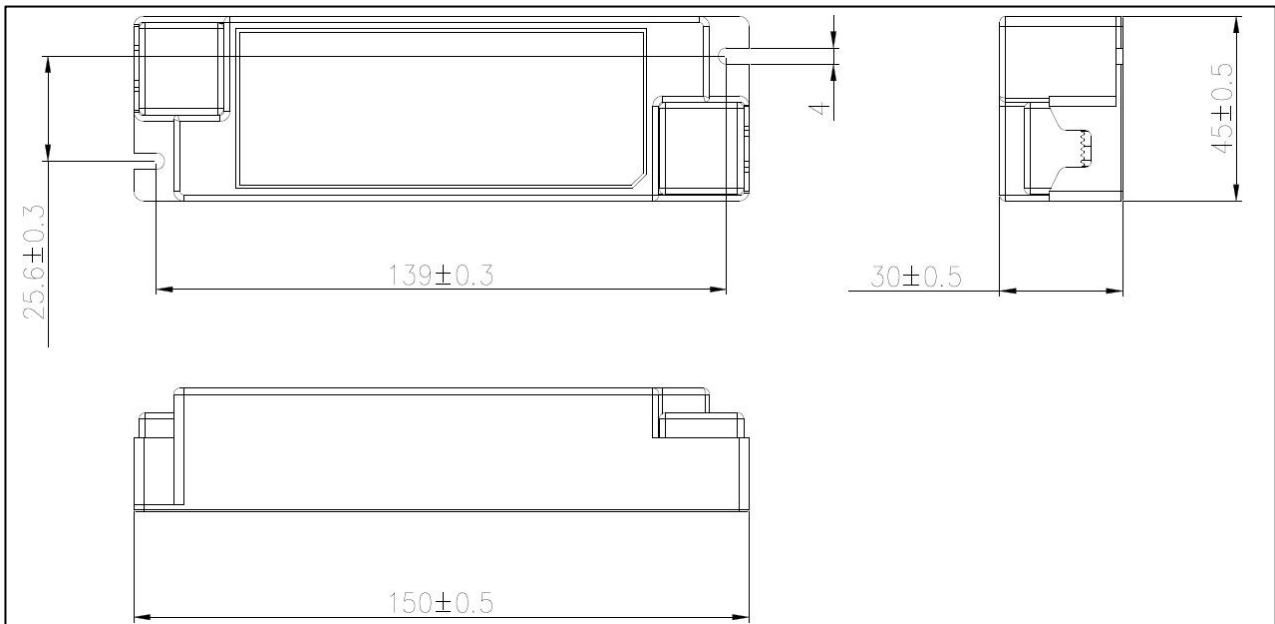
Others	ErP	EU 2019/2020
	RoHS	RoHS (2011/65/EU) (EU)2015/863
Note	1.All parameters NOT specially mentioned are measured at 230VAC input , full load and 25°C of ambient temperature. 2.Ripple & Noise are measured at 20MHz of bandwidth by using a 300mm twisted pair-wire terminated with a 0.1uF & 47 uF parallel capacitor.	

◆ Model list

No.	Model number	Input		Output			Max. Prated(W)
		Voltage (VAC)	Max.Current (A)	Constant current (mA)	Normal working voltage (VDC)	No load working voltage (VDC)	
1	LS-30-350 TRIAC LI	220-240	0.25	350	60-85	105	29.8
2	LS-30-400 TRIAC LI			400	50-75	93	30.0
3	LS-30-450 TRIAC LI			450	50-70	88	31.5
4	LS-30-500 TRIAC LI			500	40-60	78	30.0
5	LS-30-550 TRIAC LI			550	35-55	72	30.3
6	LS-30-600 TRIAC LI			600	35-50	65	30.0
7	LS-30-650 TRIAC LI			650	30-45	62	29.3
8	LS-30-700 TRIAC LI			700	27-42	57	29.4
9	LS-30-750 TRIAC LI			750	27-40	55	30.0
10	LS-30-800 TRIAC LI			800	27-40	55	32.0
11	LS-30-850 TRIAC LI			850	24-37	52	31.5
12	LS-30-900 TRIAC LI			900	22-34	49	30.6

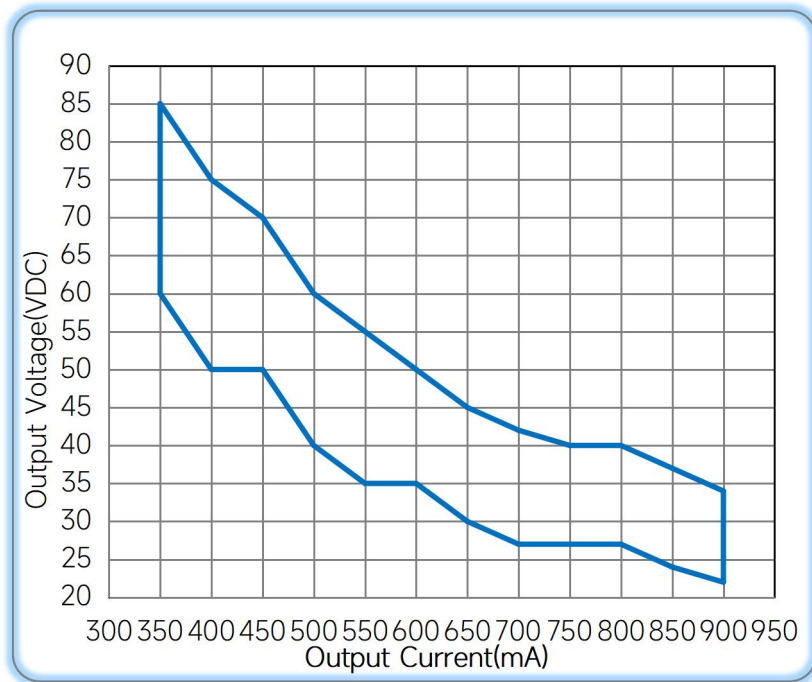
◆ Wiring diagram



◆ 2D diagram

◆ Wiring & Connections

Specification item		Value (Unit)
Input	Input wire cross-section	0.75...1.5 mm ²
	Input wire gauge.	16...20 AWG
	Input wire strip length	7...9mm
Output	Output wire cross-section	0.5...1.5 mm ²
	Output wire gauge.	16...20 AWG
	Output wire strip length	7...9mm

◆ Operating window



— Operating window 100%

◆ Revision Updates

ITEM	BEFORE	AFTER	VERSION	DATE
Initial			A	2022/05/15

Tel: +86-0757-86256822, +86-0757-86256831

E-mail: sales@eaglerise.com

Website : <https://lighting.eaglerise.com>



EAGLERISE



Manual