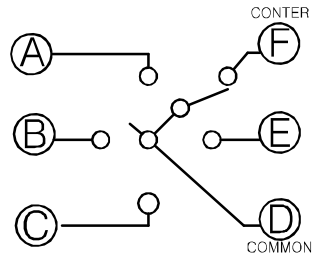
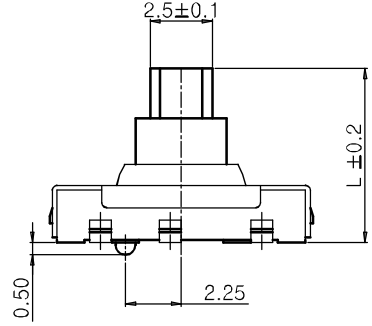
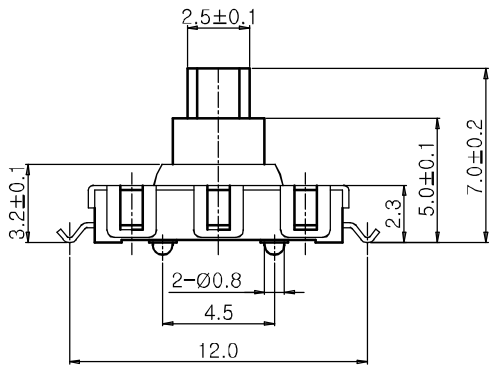
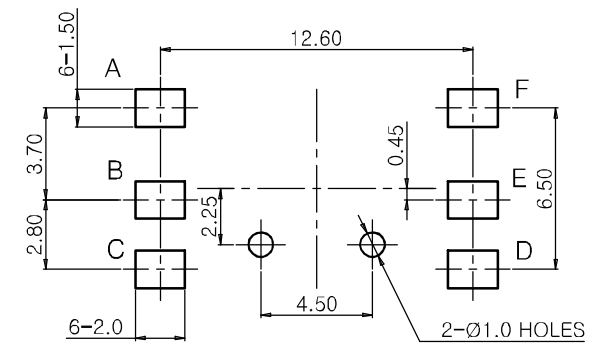


CIRCUIT DIAGRAM



PCB PATTERN



SPECIFICATION

1. RATING : DC 12V 50mA Max
2. STROKE CENTER PUSH : 0.15 ± 0.1 mm
4-Direction: 0.25 ± 0.1 mm
3. CONTACT RESISTANCE: 100 m Ω
4. OPERATING FORCE :
4-Direction : 270 ± 50 gf
CENTER PUSH : 500 ± 70 gf
5. OPERATING ANGLE : 4°
6. BOUNCE : 10msec
7. LIFE : 100,000 CYCLES
8. TOLERANCE : ± 0.3
9. L: 7.0mm

CIRCUIT DIAGRAM EXPLAIN

1. PUSH RIGHT, PIN D & E WILL BE CONNECTED
2. PUSH UP, PIN D & A WILL BE CONNECTED
3. PUSH LEFT, PIN D & B WILL BE CONNECTED
4. PUSH DOWN, PIN D & C WILL BE CONNECTED
5. PUSH VERTICALLY, PIN D & F WILL BE CONNECTED

PART NO		PART NAME		Q'TY	MATERIAL	STANDARD	DISPOSITION	REMARKS
Δ					TRIGON- OMETRY	UNIT SCALE 1 / 1		MULTI WAY TACT SWITCH
Δ					APPD ksh	CHKD kjs	DSGD yong woon. park	
Δ								MODEL INT-1500S70B
NO		CORRECTION		2013,11,26	2013,11,26	2013,11,26		