



# Product Specifications

<b>Customer</b>	
<b>Model</b>	<b>NTOD170 V500</b>



Records of Revision			
Vision	Modifying	Old Description	New Description
v2207.1	Preliminary Specification		



## Features

- ★ 17 inch Industrial Grade Panel, 1280x1024 Resolution
- ★ Operating Temperature Range -30~85°C
- ★ IP68 Level Waterproof Enclosure
- ★ Stainless Steel Cabinet
- ★ AG Coating Surface Treatment
- ★ HDMI Video Input
- ★ Optional Resistive/Capacitive Touch Options
- ★ Optional High Brightness 1500nits, for Outdoor Environment
- ★ Optional Auto Dimming Function (with Light Sensor)
- ★ Made in Taiwan, 3 Years Warranty, Designed for Harsh Environments



PSE



BSMI



RoHS



CE



ISO9001



FCC





## Display Specifications

Model Name	NTOD170 <u>XX</u> 23A-GGSL <u>X</u> 0-500*	Display Mode	TN Type, Normally Black
Screen Diagonal	432mm (17.0 inch)	Response Time	30 msec.
Display Area	337.9x270.3 mm	Backlight Unit	LED (white LED)
Resolution	1280x1024	Viewing Angle (L/R, U/D)	80°/80°/60°/80°
Contrast Ratio	800:1	Backlight Lifetime	>50,000 Hours
Display Ratio	4:3	Operating Temp.	-30~85°C
Support Colors	16.7M Colors	Storage Temp.	-30~85°C
Pixel Pitch	264x264 um		

\* X = A~Z, 0~9 (Depends on options)

## Display Options

Brightness			
	Brightness	Environment	Model Name
<b>Standard</b>	<b>350nits</b>	<b>General (Indoor)</b>	<b>NTOD170<u>N</u>X23A-GGSL<u>X</u>0-500</b>
Option 1	1000nits	Outdoor Environment	NTOD170 <u>A</u> X23A-GGSL <u>X</u> 0-500
Option 2	1500nits	Sunlight Readable	NTOD170 <u>F</u> X23A-GGSL <u>X</u> 0-500

## Accessories

Item	Description	Quantity
HDMI Cable	HDMI Waterproof Connector, 2M	1
USB Cable	USB 3.0 Waterproof Connector, 2M	1
Power cord	*Country Specific	1



## Touch Options

Projected Capacitive			
Model Name	NTOD170X <u>P</u> 23A-GGSL <u>U</u> 0-500		
Touch Technology	Projected Capacitive	Transparency	≥87%
Allowed Touch Points	10 points	Surface Treatment	AG Coating
Transparency	USB	Thickness of Cover Lens	2.0±0.2mm
Accuracy	IK07	Hardness of Cover Lens	7H

Resistive			
Model Name	NTOD170X <u>5</u> 23A-GGSL <u>U</u> 0-500		
Touch Technology	Resistive	Transparency	80%±5%
Allowed Touch Points	Single point	Surface Treatment	AG Coating
Transparency	USB	Hardness of Cover Lens	≥3H

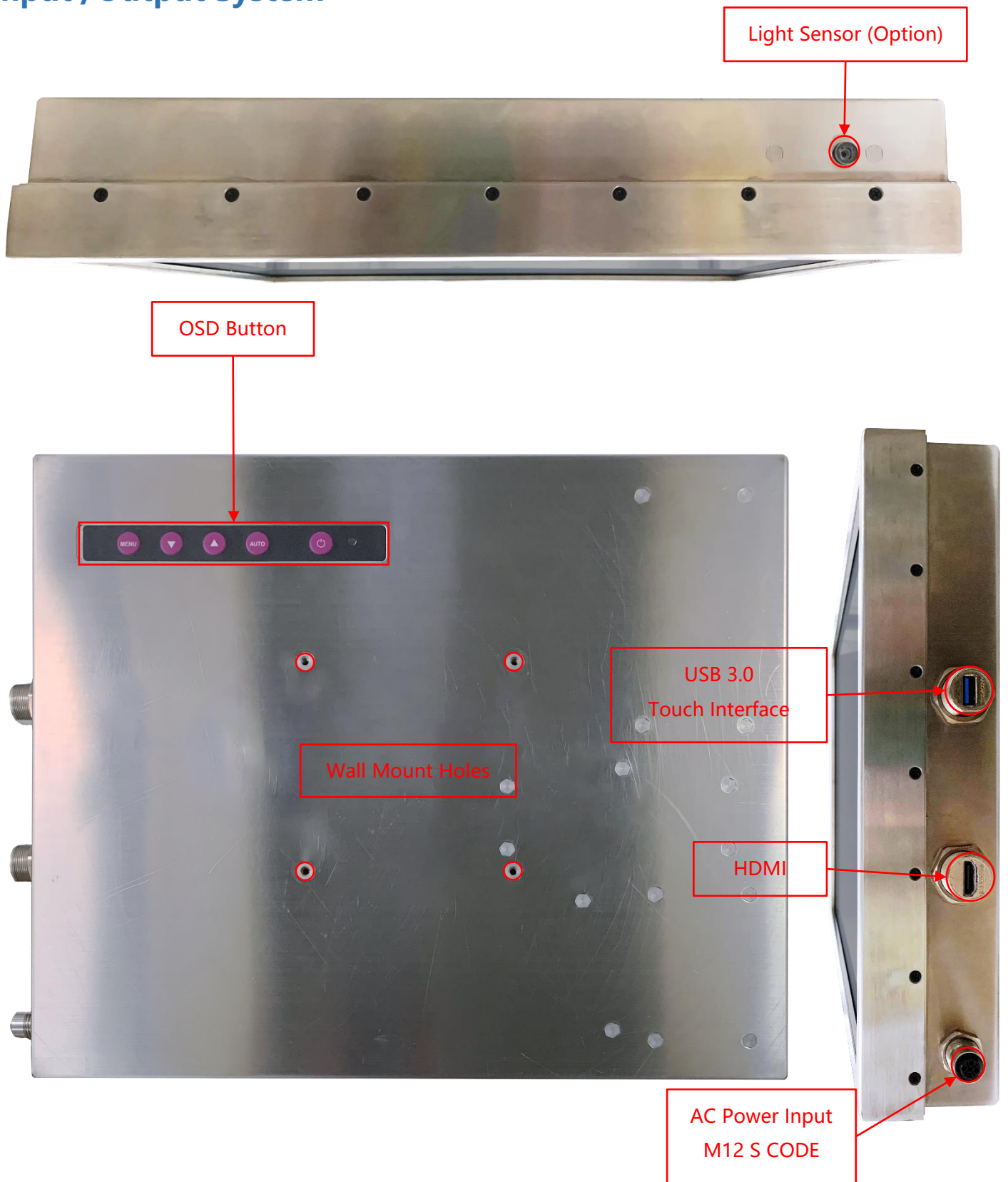
Non-Touch	
Model Name	NTOD170X <u>0</u> 23A-GGSL <u>0</u> 0-500

## Supported OS

Windows	<b>Win7, Win8, Win10, Win11 ↑</b>
Linux	<b>Kernel 2.6.24 ↑</b>
Android	<b>3.0 ↑</b>
Mac	<b>10.5.x ↑ (Intel CPU)</b>



## Input /Output System

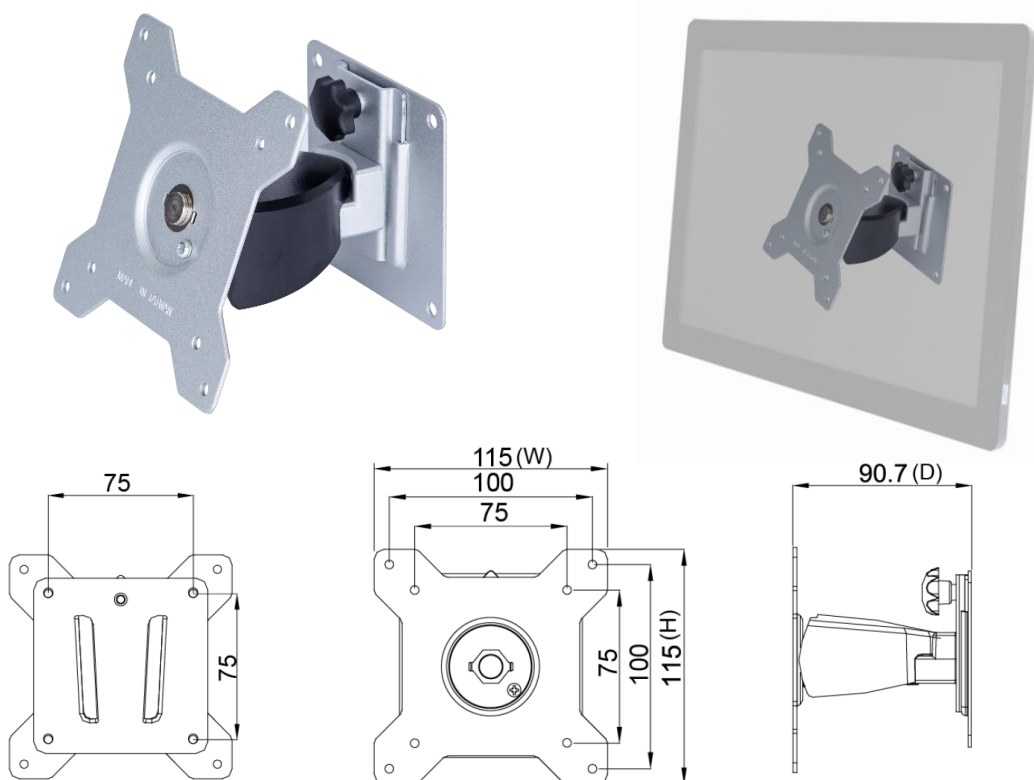


### Desktop Stand (Option)

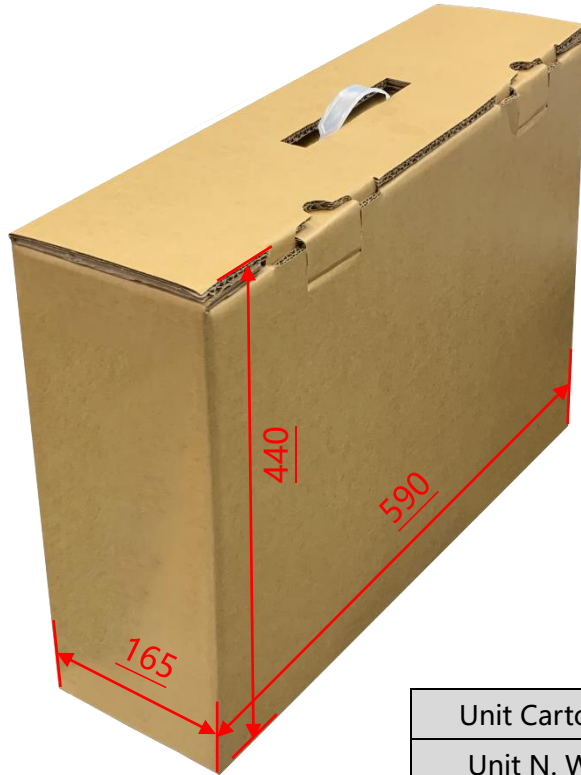
Item	B Stand	Part No.	DST-0B002/DST-1B002
Mounting Pattern	100x100 / 75x75 mm	Dimension (WxHxD)	203x275x227 mm
Material	Steel/Plastic/Aluminum	Net Weight	1.8 KG
Tilt (Hinge)	-2° ~ +180°	Support Max. Weight	15 KG



### Wall Mount Bracket (Option)



## Packing Information

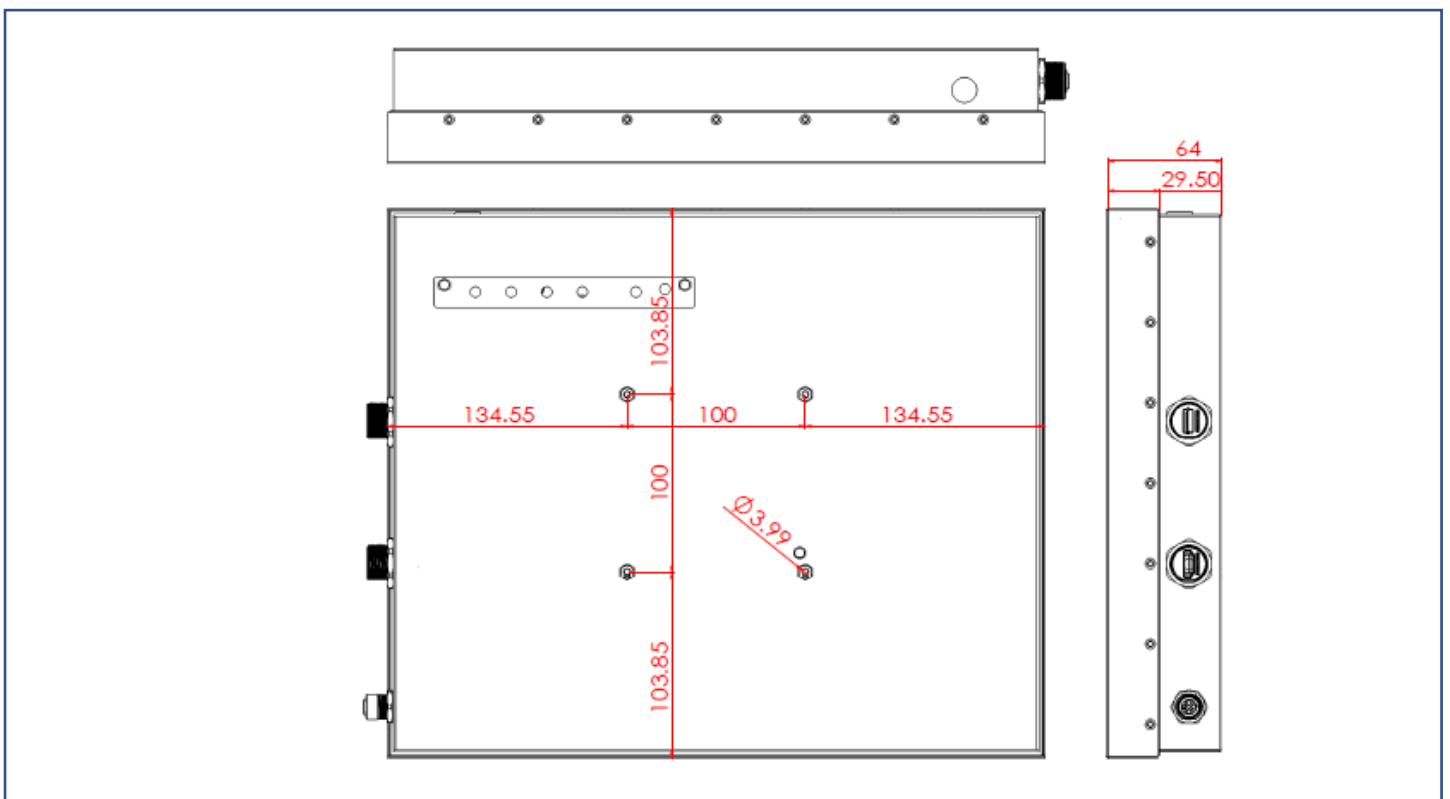
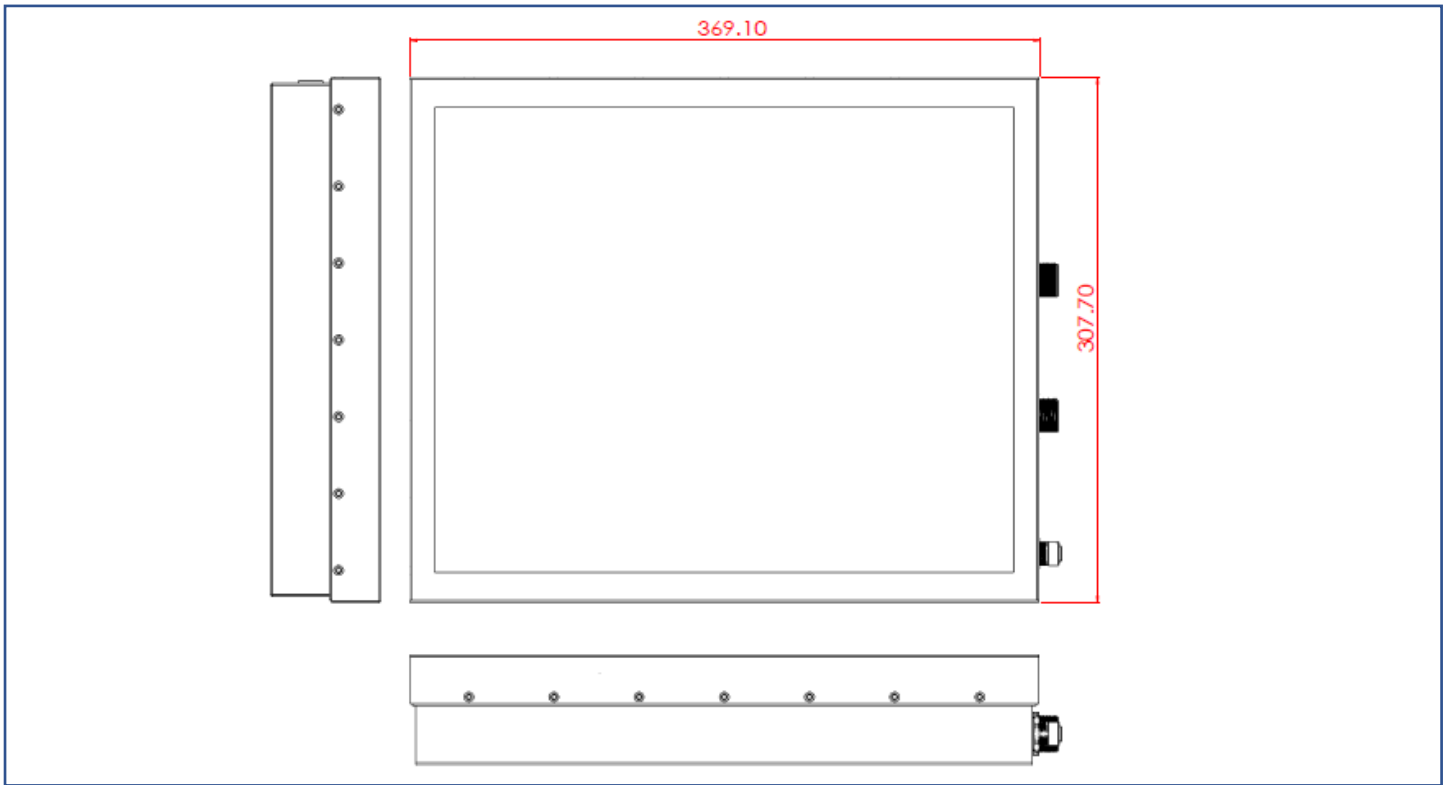


Unit Carton Size	<b>590x165x440 mm</b>
Unit N. Weight	<b>≤5.2 KG</b>
Unit G. Weight	<b>≤6.9 KG</b>
Units per Pallet	<b>36 units</b>
Pallet Size	<b>120x100x147 CM</b>



## Physical Specifications

Dimension (Max)	<b>369x308x29.5(±2)mm</b>	Net Weight	<b>≤5.2 KG</b>
VESA Mounting	<b>100x100 mm</b>	Gross Weight	<b>≤6.9 KG</b>





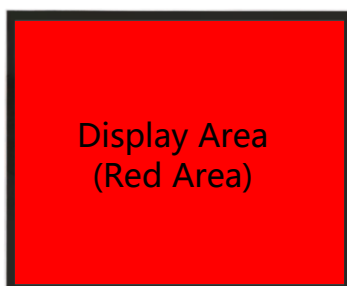
## Cosmetic Inspection Standard

Display Area Allowance			
Defect description	Defective Specifications	Allowance	Remarks
Dot Defect (including dark dot, particles, bubbles, pits, dust, foreign matter)	$D \leq 0.2\text{mm}$	Ignored	D=Diameter
	$0.2 < D \leq 0.7\text{mm}$	$N \leq 5$	N=Quantity
	$0.7 < D \leq 1\text{mm}$	$N \leq 3$	
	$D > 1\text{mm}$	$N \leq 0$	
Linear Defect (including scratches, fluff, particles)	$W \leq 0.15\text{mm}$	Ignored	W=Width
	$0.15 < W \leq 0.5\text{mm}, L \leq 15\text{mm}$	$N \leq 2$	L=Length
	$W > 0.5\text{mm}$ or $L > 15\text{mm}$	NG	

\* Visual inspection distance: 60cm, 90 degree (same for front/side/back)

Front Appearance Allowance (Including Coating)			
Defect description	Defective Specifications	Allowance	Remarks
Dot Defect (including particles, bubbles, pits...etc.)	$D \leq 0.7\text{mm}$	Ignored	D=Diameter
	$0.7 < D \leq 1.5\text{mm}$	$N \leq 3$	N=Quantity
	$D > 1.5\text{mm}$	$N \leq 0$	
Linear Defect (including scratches, fluff, particles)	$W \leq 0.2\text{mm}, L \leq 15\text{mm}$	Ignored	W=Width, L=Length
	$0.2 < W \leq 0.7\text{mm}, L \leq 15\text{mm}$	$N \leq 1$	
	$W > 0.7\text{mm}$ or $L > 15\text{mm}$	NG	

Side / Back Appearance Allowance (Including Coating)			
Defect description	Defective Specifications	Allowance	Remarks
Dot Defect (including particles, bubbles, pits...etc.)	$D \leq 1.5\text{mm}$	Ignored	D=Diameter
	$1.5 < D \leq 3\text{mm}$	$N \leq 8$	N=Quantity
	$D > 3\text{mm}$	$N \leq 2$	
Linear Defect (including scratches, fluff, particles)	$W \leq 0.8\text{mm}, L \leq 15\text{mm}$	Ignored	W=Width, L=Length
	$0.8 < W \leq 1.5\text{mm}, L \leq 15\text{mm}$	$N \leq 5$	
	$W > 1.5\text{mm}$ or $L > 15\text{mm}$	NG	



Display Area  
(Red Area)



Front Appearance (Red Area)



Back Appearance