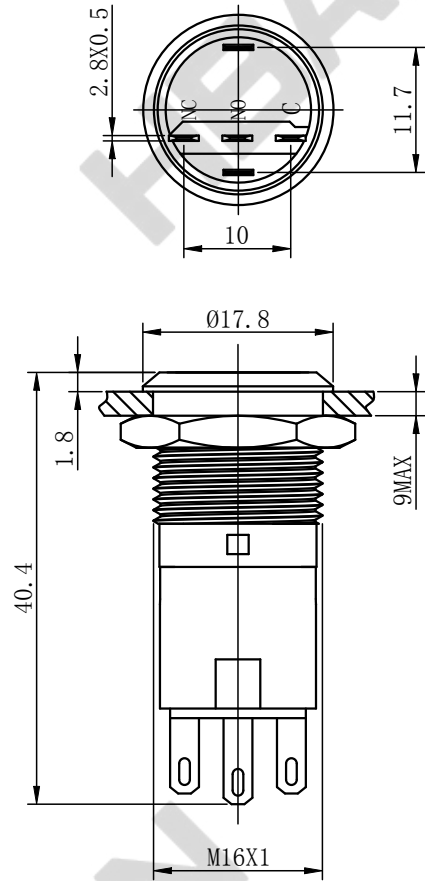


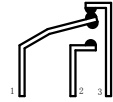
UNIT: mm (毫米)

HBAN

红波



开关结构说明:
Switch structure description:

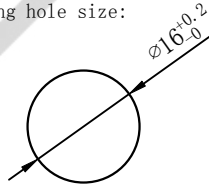


1, 2 — NO
1, 3 — NC

灯珠等效电路:
Lamp bead equivalent circuit:



安装孔尺寸:
Mounting hole size:



性能要求:

Performance requirements:

- 防护等级: IP67;
Protection grade: IP67
- 接触电阻: $\leq 50m\Omega$;
Contact resistance: $\leq 50m\Omega$
- 绝缘电阻: $\geq 100M\Omega$;
The insulation resistance: $\geq 100M\Omega$
- 抗电强度: AC2500V, 1min, 无闪烁、击穿;
Electrical resistance: AC2500V, 1min, no flicker and breakdown;
- 寿命: 电气部分在额定负载下动作5万次无异常。
Life: Electrical part: operate 50,000 times under rated load without any abnormality.
机械部分: 动作100万次无异常;
Mechanical part: no abnormal movement for 1000,000times

技术要求:

Technical requirements:

- 表面光洁, 平整无毛刺;
The surface is smooth without burr;
- 参数/批次字迹清晰, 无错位;
Clear handwriting of parameters/batches without any dislocation;
- 电气参数: Ith: 5A Ui: 250V;
Electric parameter: 5A Ui: 250V;
- 工作环境温度: $-25^{\circ}C \sim +65^{\circ}C$;
Working environment temperature: $-25^{\circ}C \sim +65^{\circ}C$;
- 动作形式: 自复式; 自锁式;
Operation type: Momentary; Latching ;
- 动作行程: 约3.2mm;
Movement stroke: about 3.2mm
- 连接形式: 配套接插件/焊接导线;
Connection form: Matching connectors/Welding wire;
- 拧紧力矩: 约0.4Nm;
Tightening torque: about 0.4Nm;
- 开关组合: 1NO1NC;
Contact configuration: 1NO1NC;
- 外观材料: 按键: PC/不锈钢; PC/黄铜;
外壳: 不锈钢; 黄铜;
底座: PBT;
触点: 银合金;
Appearance material: Button surface: PC/Stainless steel; PC/Nickel-Plated Brass;
Housing: Stainless steel; Nickel-Plated Brass
Pedestal: PBT;
Contact silver alloy

11. 未标注公差按照GB/T 1804-m级。

Unmarked tolerance shall be in accordance with GB/T 1804-m class.

12. 灯珠参数: 电气参数: 6V/12V/24V/36V; 110V/220V; 其它电压可定制;

额定电流: $\leq 20mA$;

Lamp bead parameters: Electric parameter : 6V/12V/24V/36V; 110V/220V;

Other voltages can be customized;

Rated current: $\leq 20mA$

13. 灯珠颜色: 红/绿/黄/橙/蓝/白;

LED color: Red/Green/Yellow/Orange/Blue/White

14. 灯珠寿命: 50000小时。

Led life: 50000 hours.

描 图

描 校

底 图 号

装 订 号

					SHANGHAI HONGBO ELECTRIC CO., LTD.
					上海红波电器有限公司
标 记	处 数	更改文件号	签 字	日 期	名称 (TITLE): M16 Emergency stop button switch
DR. 制 图	APPD. 审 核	SCALE. 比 例	countersign. 会 签	Date. 日 期	M16金属防水按钮开关
黄	陈秋霞	1:1		2022. 8. 15	图号 (DWG NO):
PW. 单 重		P. 页 码	第1页 共1页 (1/1)		HBS1-AGQ16F-11E (Z) /J/S (N)