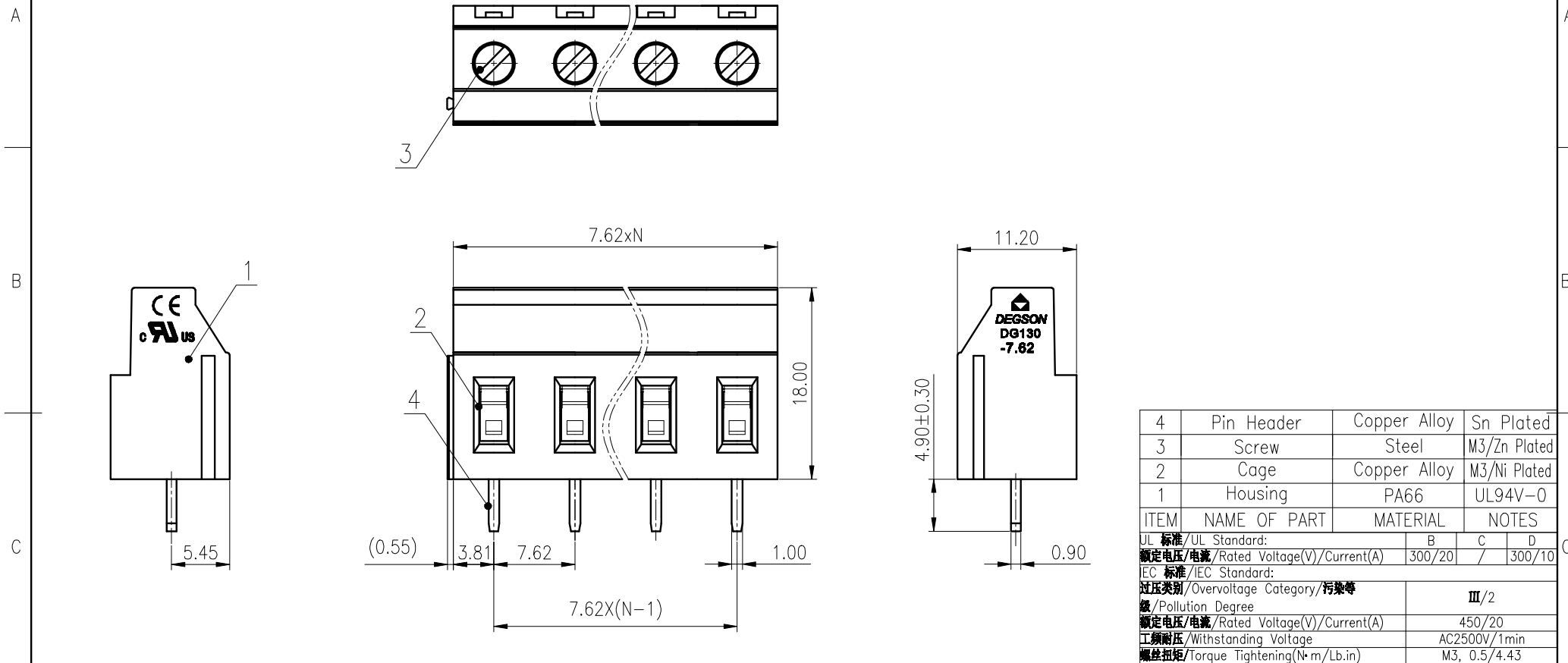
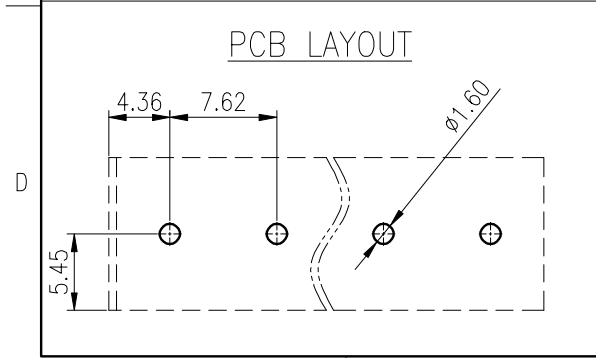


公差/General tolerances(mm)												0.1/10	
0	>3	>6	>10	>18	>30	>50	>80	>120	>180	>250	>315		>400
~3	~6	~10	~18	~30	~50	~80	~120	~180	~250	~315	~400	~500	~500
±0.12	±0.18	±0.22	±0.26	±0.31	±0.37	±0.57	±0.80	±0.93	±1.05	±1.15	±1.60	±2.20	±2.50



4	Pin Header	Copper Alloy	Sn Plated
3	Screw	Steel	M3/Zn Plated
2	Cage	Copper Alloy	M3/Ni Plated
1	Housing	PA66	UL94V-0

ITEM	NAME OF PART	MATERIAL	NOTES
UL 标准/UL Standard:		B	C
额定电压/电流/Rated Voltage(V)/Current(A)		300/20	300/10
IEC 标准/IEC Standard:			
过压类别/Overvoltage Category/污染等级/Pollution Degree		III/2	
额定电压/电流/Rated Voltage(V)/Current(A)		450/20	
工频耐压/Withstanding Voltage		AC2500V/1min	
螺丝扭矩/Torque Tightening(N·m/Lb.in)		M3, 0.5/4.43	
线径范围(硬线和软线)/Wire Range(rigid and flexible)(mm ² /AWG)		0.5~2.5/26~12	
间距/Pitch(mm)/线数范围/Poles		7.62/N=02~24P	
剥线长度/Stripping length(mm)		8~9	
使用温度范围/Operating temperature(°C)		-40~+105	
符合RoHS环保要求/Conform to RoHS		Yes	



REV	ECN	DESCRIPTION	DRFT	DATE	MATERIAL: /	SURFACE: /
					MAT NO.: /	
					STATUS: /	
					APPD: LanCH 2020.03.18	NAME: 宁波高松电子有限公司
					CHKD: YuJZ 2020.03.18	NINGBO DEGSON ELECTRICAL CO., LTD
					DRFT: ZX 2017.04.06	NAME: DG130-7.62-XXP-1Y-00A(H)
					SIZE: A4	DRAWING NO.: DG130-7.62-C01
					TYPE: CUSTOMER DRAWING	SCALE: 2:1
						REV T1
						SHEET 1/1