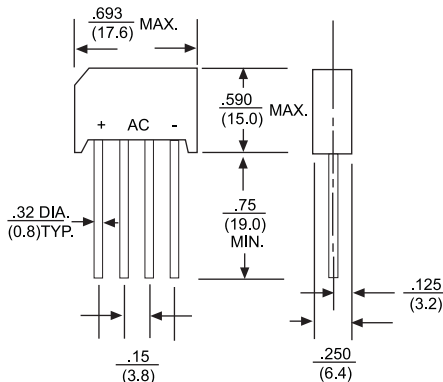


## RS201 THRU RS207

<p><b>SINGLE PHASE 2.0AMPS. SILICON BRIDGE RECTIFIERS</b></p>	<p><b>Voltage Range 50 to 1000 Volts Current 2.0 Amperes</b></p>
<p><b>FEATURES</b></p> <ul style="list-style-type: none"> <li>• Surge overload rating - 50 amperes peak</li> <li>• Ideal for printed circuit board</li> <li>• Plastic material has Underwriters Laboratory Flammability Classification 94V-0</li> <li>• Mounting Position:Any</li> </ul>	<p><b>RS-2</b></p>  <p>Dimensions in inches and millimeters</p>

### MAXIMUM RATINGS AND ELECTRICAL CHARACTERISTICS

Rating at 25°C ambient temperature unless otherwise specified.  
Resistive or inductive load 50Hz.  
For capacitive load, derate current by 20%

Type Number		RS201	RS202	RS203	RS204	RS205	RS206	RS207	UNITS
Maximum Repetitive Peak Reverse Voltage	V <sub>RRM</sub>	50	100	200	400	600	800	1000	V
Maximum RMS Bridge Voltage	V <sub>RMS</sub>	35	70	140	280	420	560	700	V
Maximum DC Blocking Voltage	V <sub>DC</sub>	50	100	200	400	600	800	1000	V
Maximum Average Forward Rectified Current @T <sub>A</sub> =50°C	I <sub>F(AV)</sub>	2.0							A
Peak Forward Surge Current, 8.3ms single half sine-wave super imposed on rated load	I <sub>FSM</sub>	50.0							A
Maximum Instantaneous Forward Voltage Drop Per Leg @ 2.0A	V <sub>F</sub>	1.1							V
Maximum Reverse Current at Rated DC Blocking Voltage per Element	I <sub>R</sub>	10.0 1.0							uA mA
Operating Temperature Range	T <sub>J</sub>	-55 to +125							°C
Storage Temperature Range	T <sub>STG</sub>	-55 to +150							°C

## RATING AND CHARACTERISTIC CURVES RS201 THRU RS207

FIG.1 - DERATING CURVE  
OUTPUT RECTIFIED CURRENT

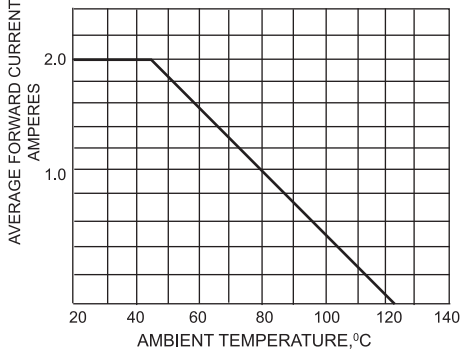


FIG.2 - TYPICAL FORWARD  
CHARACTERISTICS

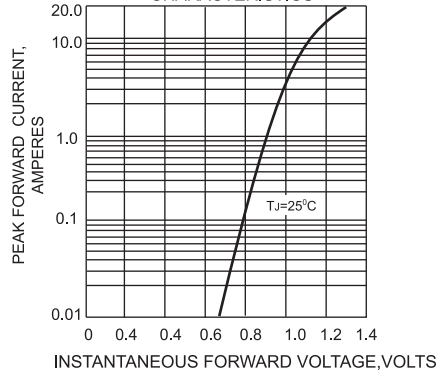


FIG.3-TYPICAL FORWARD  
CHARACTERISTICS

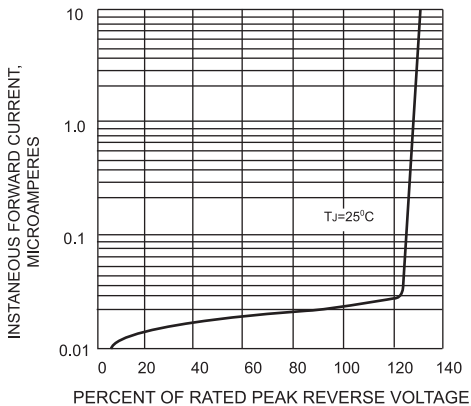


FIG.4-MAXIMUM FORWARD SURGE CURRENT

