

Natural[®]

AC FAN

80mm~280mm



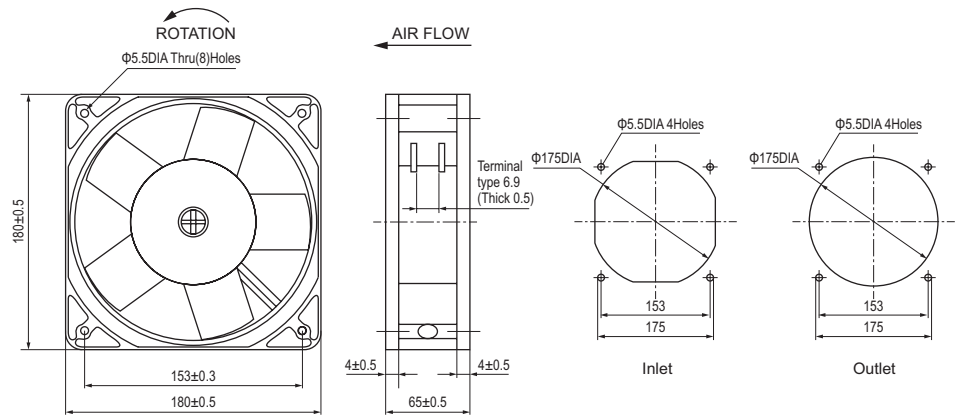
CE RoHS ISO9001

NA18065



General Specification

Size: 180×180×65mm
 Airflow: 586~671m³/hr 345-395CFM
 Weight: 1188g
 Noise: 63-68dBA
 Impeller: PBT Black
 Frame: Aluminum Alloy
 Terminals: 0.5mm
 Lead Wire: AWG#22
 Motor: Capacitor-Run Induction Motor
 Operation Temperature: -10°C~+70°C



Specific Parameters

Model Number	Bearing Type	Voltage (V)	Freq. (Hz)	Current (A)	Power (W)	Speed (RPM)	Noise (dBA)	Air Flow		Phase	Capacitor
								M ³ /hr	CFM		
18065-110BH-C	Ball	100~125	50/60	0.42	45	2600/3000	63/68	586/671	345/395	1	3.3µf/250V
18065-230BH-C	Ball	200~240	50/60	0.22	45	2600/3000	63/68	586/671	345/395	1	1.5µf/500V

"B" means Ball, "H" means High Speed
 Current, Speed can be customer made

