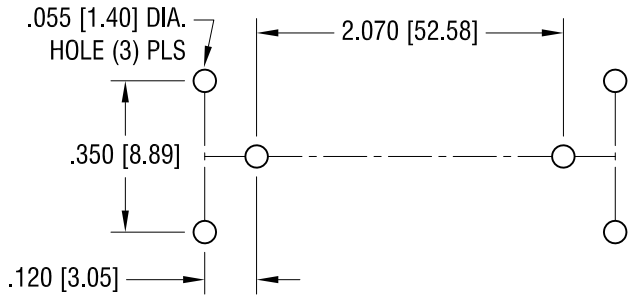
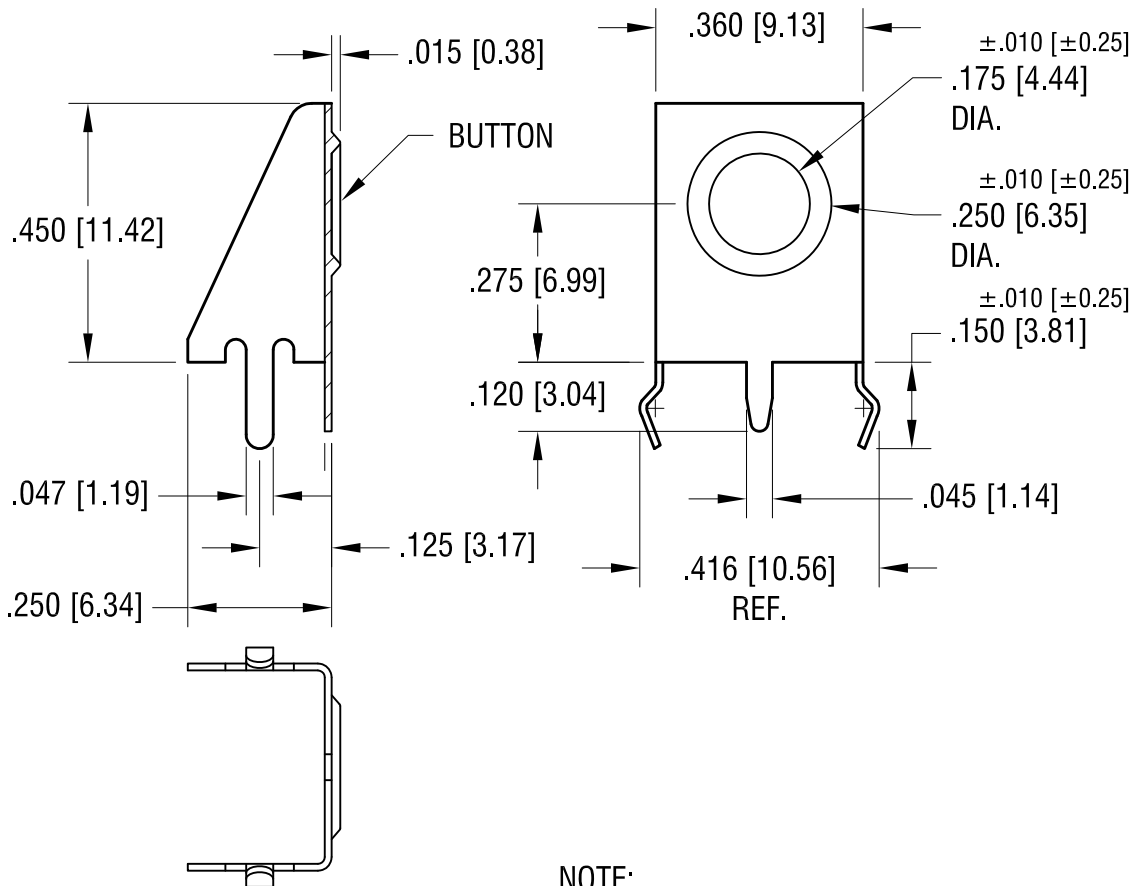


RECOMMENDED LAYOUT FOR 'AA' BATTERY USING
ONE BUTTON (P/N 596) AND ONE SPRING (P/N 590) CONTACT

THIS DOCUMENT IS THE PROPERTY OF
KEYSTONE ELECTRONICS CORP. AND
SHALL NOT BE REPRODUCED, DISTRIBUTED
OR USED AS A BASIS FOR MANUFACTURE
WITHOUT PRIOR WRITTEN PERMISSION
FROM KEYSTONE ELECTRONICS CORP.



ACTUAL SIZE



NOTE:

1. HEAT TREAT TO SPRING TEMPER.

8.30.18	CHANGE AS PER ECN 18-033.	D
3.31.16	MTG HOLE WAS ϕ .052 CHANGE AS PER ECN 16-043	C
8.26.04	CHANGE AS PER ECN 04-074	B
10.7.02	CHANGE AS PER ECN 02-066	A
DATE	DESCRIPTION	REV.

KEYSTONE ELECTRONICS CORP.			
www.keyelco.com • NEW HYDE PARK, NY 11040 • Tel (516) 328-7500			
PART NAME			
'AA' PC SNAP-IN BUTTON CONTACT			
MATERIAL			
.012 [0.30] TH'K ANNEALED SPRING STEEL			
FINISH		DRN BY	DATE
TIN NICKEL PLATE		BOONE	9.28.00
		APP'D	SCALE
		LN	3X
TOLERANCES	INCH [MM]	CODE	DWG NO.
DECIMAL	\pm .005 [\pm 0.13]	C	596
ANGULAR	\pm 1°		
UNLESS OTHERWISE SPECIFIED			