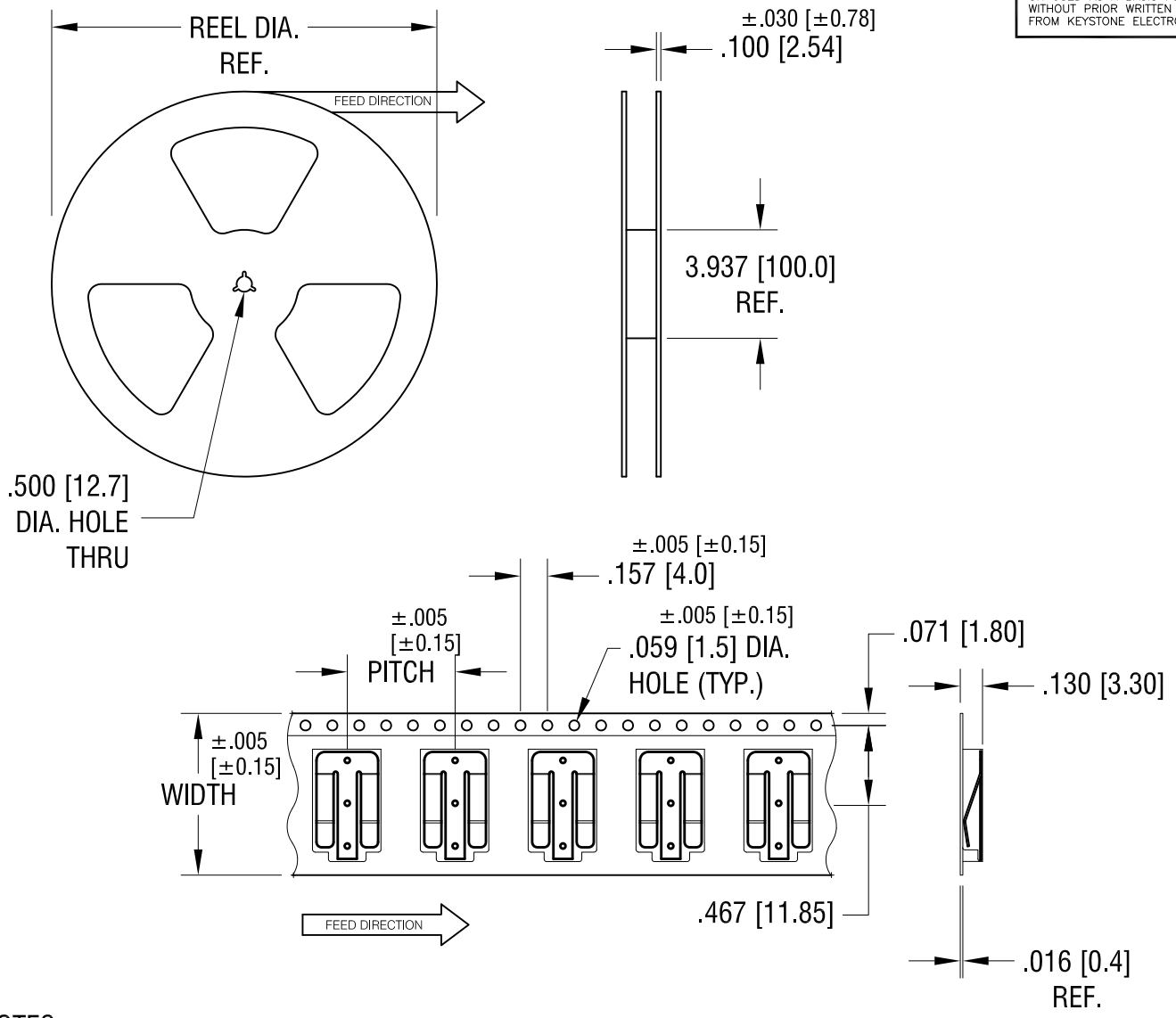


THIS DOCUMENT IS THE PROPERTY OF KEYSTONE ELECTRONICS CORP. AND SHALL NOT BE REPRODUCED, DISTRIBUTED OR USED AS A BASIS FOR MANUFACTURE WITHOUT PRIOR WRITTEN PERMISSION FROM KEYSTONE ELECTRONICS CORP.



NOTES:

TAPE AND REEL SPECIFICATIONS:

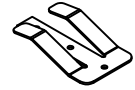
1. TAPE:
 MAT'L - ALL CONDUCTIVE POLYSTYRENE CARRIER
 ANSI/EIA-481 STANDARD
 .945 [24.0] WIDE; .630 [16.0] PITCH
2. REEL:
 13.0 [330.2] DIA. 1,000 PIECES OF
 PART NO. 2983 PER REEL.

4.09.12	CHANGE AS PER ECN 12-044	B
3.07.11	CHANGE AS PER ECN 11-028	A
DATE	DESCRIPTION	REV.

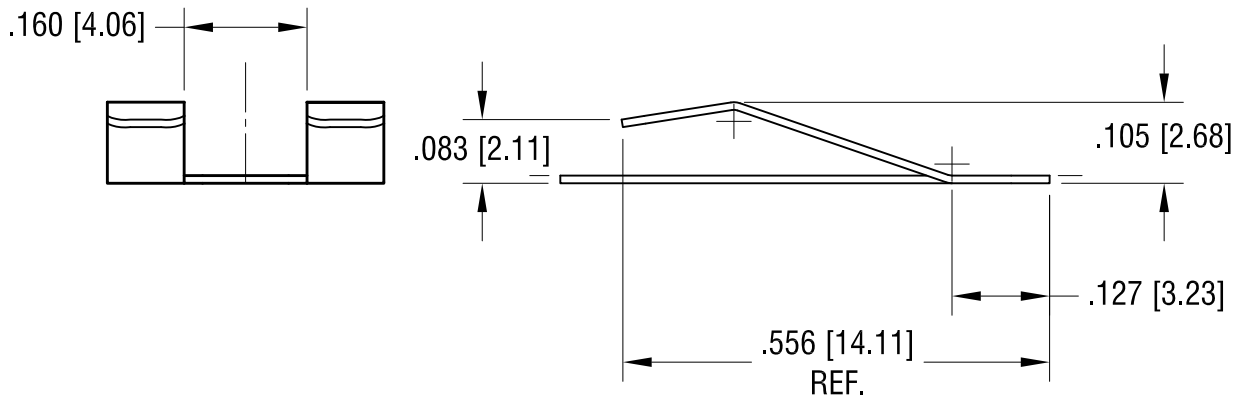
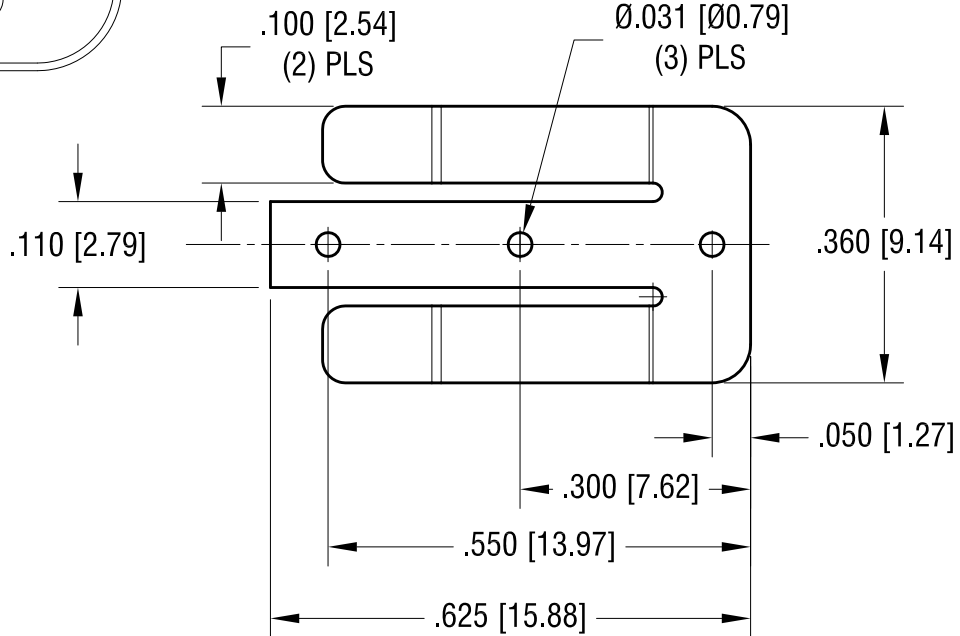
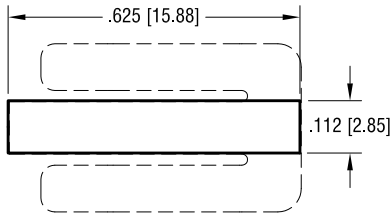
KEYSTONE ELECTRONICS CORP.			
www.keyelco.com • ASTORIA, N.Y. 11105-2017 • Tel (718) 956-8900			
PART NAME			
BATTERY CONTACT, ON TAPE			
MATERIAL			
AS NOTED			
FINISH		DRN BY	DATE
AS NOTED		NT	11.02.09
		APP'D	SCALE
		LN	X
TOLERANCES	INCH [MM]	CODE	DWG NO.
DECIMAL	± .015 [± 0.38]	C/M	2983TR
ANGULAR	± 1°		
UNLESS OTHERWISE SPECIFIED			

THIS DOCUMENT IS THE PROPERTY OF
KEYSTONE ELECTRONICS CORP. AND
SHALL NOT BE REPRODUCED, DISTRIBUTED
OR USED AS A BASIS FOR MANUFACTURE
WITHOUT PRIOR WRITTEN PERMISSION
FROM KEYSTONE ELECTRONICS CORP.

ACTUAL SIZE



MTG DETAL



KEYSTONE ELECTRONICS CORP.

www.keyelco.com • NEW HYDE PARK, NY 11040 • Tel (516) 328-7500

PART NAME

BATTERY CONTACT

MATERIAL

.010 [0.25] TH'K PHOSPHOR BRONZE

FINISH

MATTE TIN PLATE

DRN BY

NT

DATE

11.02.09

APP'D

RH

SCALE

4X

TOLERANCES

INCH [MM]
DECIMAL $\pm .005$ [± 0.13]
ANGULAR $\pm 1^\circ$

CODE

C

DWG NO.

2983

UNLESS OTHERWISE SPECIFIED

DATE

DESCRIPTION

REV.