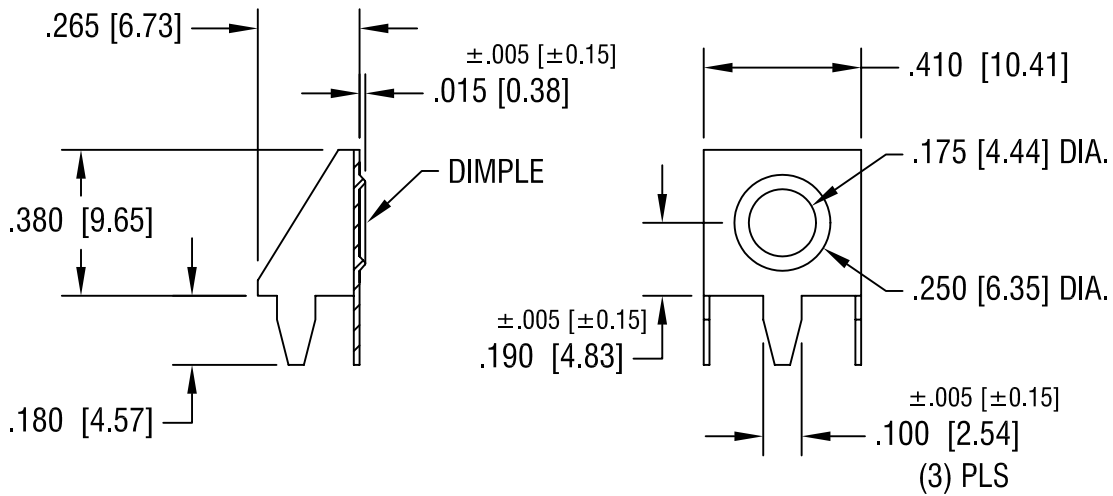
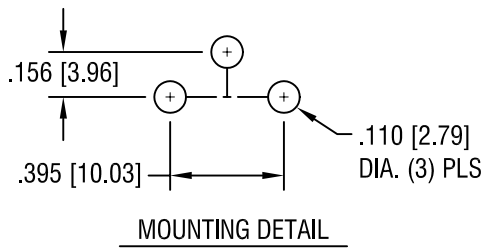


THIS DOCUMENT IS THE PROPERTY OF  
KEYSTONE ELECTRONICS CORP. AND  
SHALL NOT BE REPRODUCED, DISTRIBUTED  
OR USED AS A BASIS FOR MANUFACTURE  
WITHOUT PRIOR WRITTEN PERMISSION  
FROM KEYSTONE ELECTRONICS CORP.



<b>KEYSTONE ELECTRONICS CORP.</b>			
ASTORIA, N.Y. 11105-2017			
PART NAME			
'AA' 'AAA' 'N' SIZE PC BUTTON CONTACT			
MATERIAL			
.015 [0.38] THK STEEL			
FINISH		DRN BY	DATE
TIN NICKEL PLATE		BOONE	1.7.99
		APPD	SCALE
		LN	2X
TOLERANCES	INCH	[MM]	CODE
DECIMAL	± .010	[± 0.25 ]	C
ANGULAR	± 1°		
UNLESS OTHERWISE SPECIFIED			
DWG NO.		<b>637</b>	

8.25.04	CHANGE AS PER ECN 04-070	A	
DATE	DESCRIPTION	REV.	