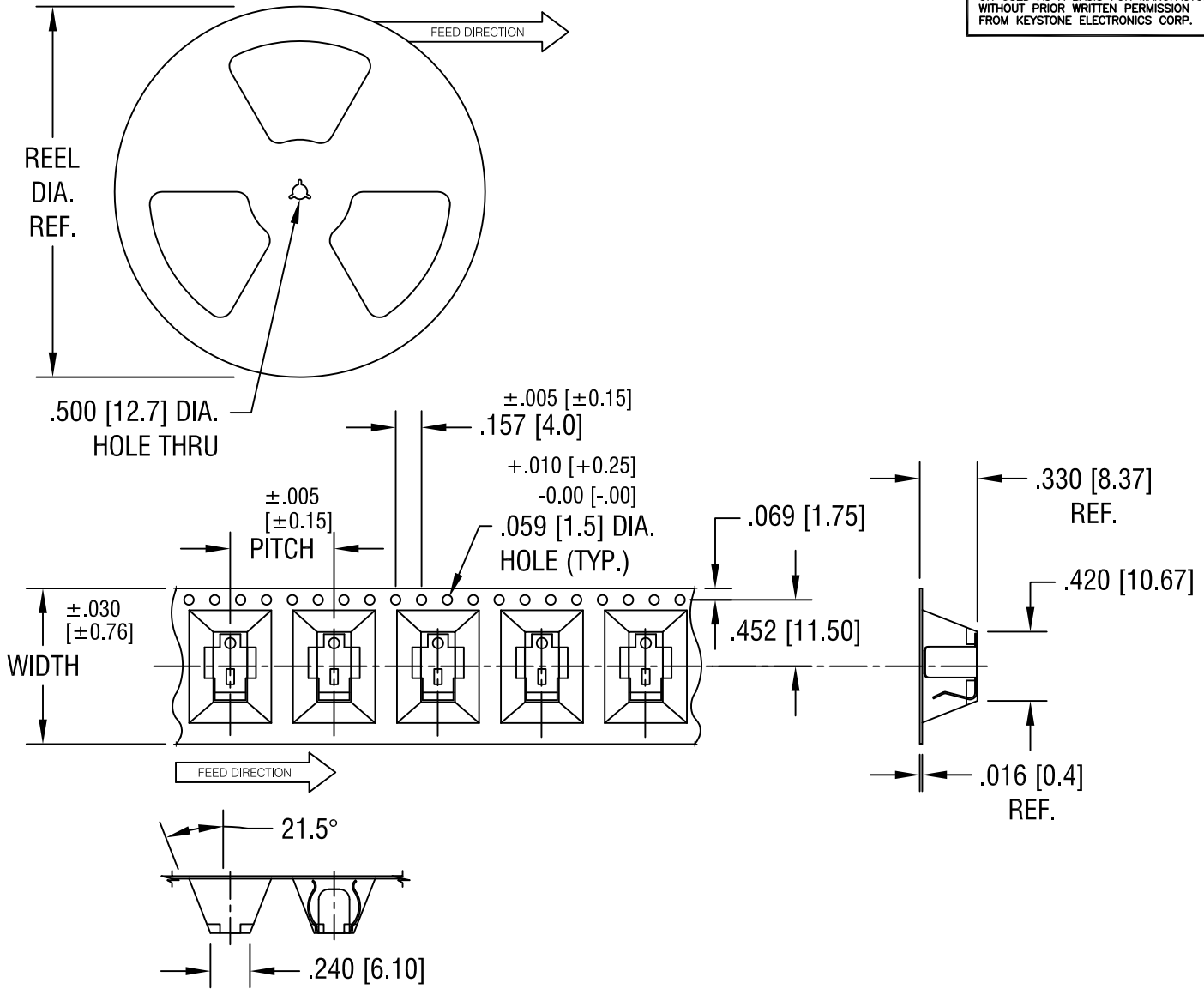


THIS DOCUMENT IS THE PROPERTY OF KEYSTONE ELECTRONICS CORP. AND SHALL NOT BE REPRODUCED, DISTRIBUTED OR USED AS A BASIS FOR MANUFACTURE WITHOUT PRIOR WRITTEN PERMISSION FROM KEYSTONE ELECTRONICS CORP.



NOTES:

TAPE AND REEL SPECIFICATIONS:

1. TAPE:
 MAT'L - ALL CONDUCTIVE POLYSTYRENE CARRIER
 ANSI/EIA-481 STANDARD
 .945 [24.0] WIDE; .630 [16.0] PITCH
2. REEL:
 13.0 [330.2] DIA. 500 PIECES OF
 PART NO. 50 PER REEL.

1.28.09	CHANGE AS PER ECN 09-005	A
DATE	DESCRIPTION	REV.

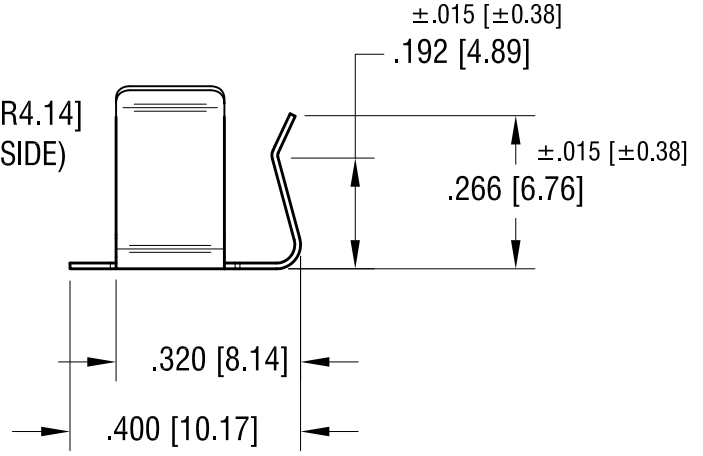
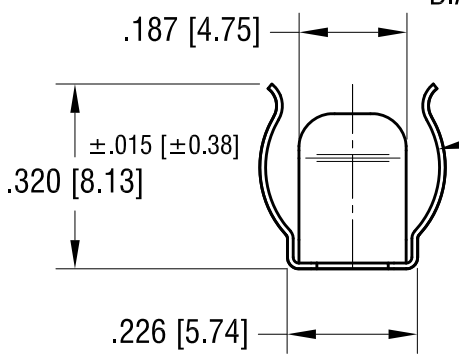
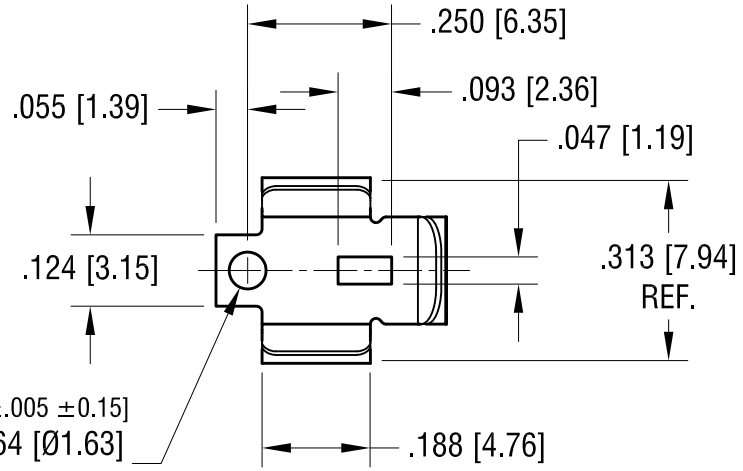
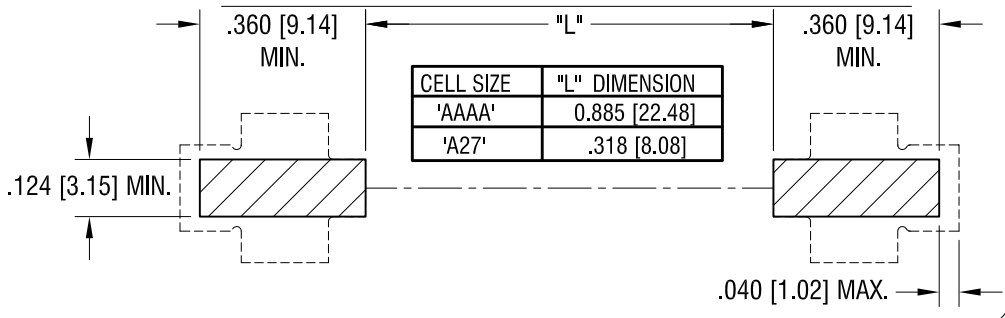
KEYSTONE ELECTRONICS CORP.		
www.keyelco.com • ASTORIA, N.Y. 11105-2017 • Tel (718) 956-8900		
PART NAME SM BATTERY CLIP, ON TAPE		
MATERIAL AS NOTED		
FINISH AS NOTED	DRN BY NT	DATE 1.16.09
	APP'D LN	SCALE X
TOLERANCES INCH [MM] DECIMAL ±.015 [±0.38] ANGULAR ± 1° UNLESS OTHERWISE SPECIFIED	CODE C/M	DWG NO. 50TR

THIS DOCUMENT IS THE PROPERTY OF KEYSTONE ELECTRONICS CORP. AND SHALL NOT BE REPRODUCED, DISTRIBUTED OR USED AS A BASIS FOR MANUFACTURE WITHOUT PRIOR WRITTEN PERMISSION FROM KEYSTONE ELECTRONICS CORP.

ACTUAL SIZE



MOUNTING PAD LAYOUT REQUIRED FOR (2) 'AAAA' CLIPS



NOTE:
1. HEAT TREAT TO SPRING TEMPER

DATE	DESCRIPTION	REV.
10.28.16	CHANGE AS PER ECN 16-073	E
10.1.09	CHANGE AS PER ECN 09-141	D
6.04.09	CHANGE AS PER ECN 09-049	C
10.30.07	CHANGE AS PER ECN 07-072	B
11.12.04	CHANGE AS PER ECN 04-138	A

KEYSTONE ELECTRONICS CORP.			
www.keyelco.com • NEW HYDE PARK NY 11040 • Tel (516)328-7500			
PART NAME		'AAAA' SMT BATTERY CLIP	
MATERIAL		.010 [0.25] TH'K ANNEALED SPRING STEEL	
FINISH		DRN BY	DATE
TIN NICKEL PLATE		BOONE	5.05.03
		APP'D	SCALE
		RH	3X
TOLERANCES	INCH [MM]	CODE	DWG NO.
DECIMAL	± .010 [± 0.25]	C	
ANGULAR	± 1°		
UNLESS OTHERWISE SPECIFIED			
			50