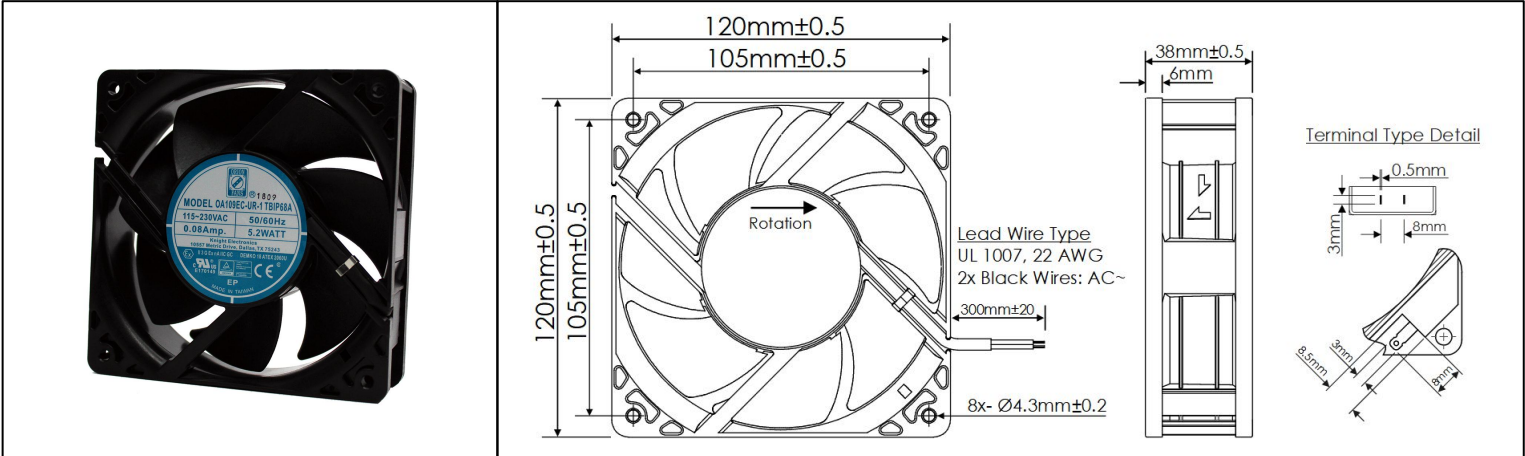


OA109EC IP68 ATEX Series



AC Fans - 115, 230V Universal Input
120mm x 38mm (4.7" x 1.5")



| | | | |
|-----------------------|--|---|--|
| Frame | PBT, UL94 V-0 Plastic | Operating Temperature -20°C ~ +70°C Life Expectancy 60,000 Hours (L10 at 40°C) Installed Options IP68 Rated Motor ATEX Certification Weight: 0.64 lbs | |
| Impeller | PBT, UL94 V-0 Plastic | | |
| Connection | 2x Lead Wires, 22 AWG, or Terminals | | |
| Motor | EC Motor, Electronically Protected, IP68 | | |
| Bearing System | Ball Bearings | | |
| Dielectric Strength | 1500VAC/min, <1mA | | |
| Insulation Resistance | ≥10MΩ @ 500 VDC | | |

| Part Number | Voltage Range (Volts AC) | Input Power (Watts) | Rated Current (Amps) | Rated Speed (RPM) | Max Airflow (CFM) | Noise Level (dBA) | Max Static Pressure (\"H ₂ O) |
|---------------------|--------------------------|----------------------------|------------------------------|-------------------|-------------------|-------------------|--|
| OA109EC-UR-1*BIP68A | 90 ~ 265 | 4.9W @ 115V 5.2W @ 230V | 0.08A @ 115V 0.06A @ 230V | 3200 | 106 | 43 | 0.34 |

* Substitute "T" for Terminal type power connection, or "W" Lead wire type power connection.