

SiC Products Plan

博盛半導體股份有限公司

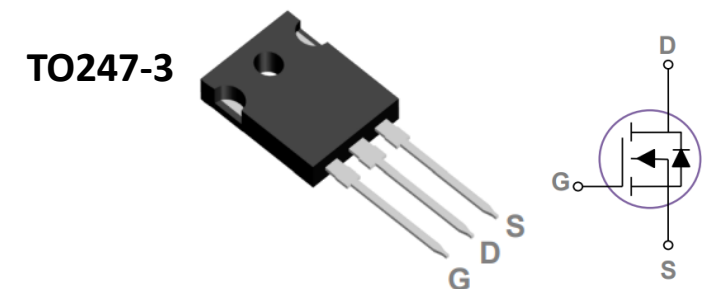
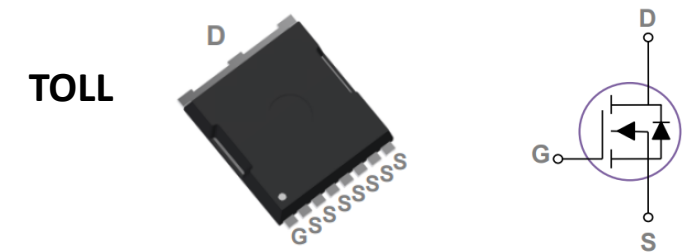
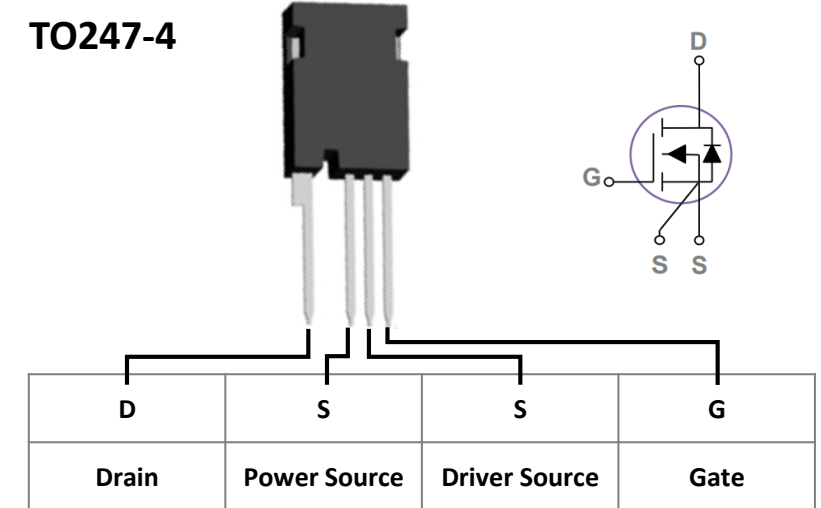
POTENS Semiconductor Corporation

SiC MOSFET Product List



➤ Silicon Carbide MOSFET

P/N	Package	BVDSS	RDSON
PDX017C065Z	TO247-3	650V	17mΩ
PDX030C065Z	TO247-3	650V	30mΩ
PDX050C065Z	TO247-3	650V	50mΩ
PDX018C120Z	TO247-3	1200V	18.5mΩ
PDX030C120Z	TO247-3	1200V	30mΩ
PDX040C120Z	TO247-3	1200V	40mΩ
PDX080C120Z	TO247-3	1200V	80mΩ
PDX150C120Z	TO247-3	1200V	150mΩ
PDT080C120Z	TOLL	1200V	80mΩ
PDX018C120Z-F	TO247-4	1200V	18.5mΩ
PDX030C120Z-F	TO247-4	1200V	30mΩ
PDX040C120Z-F	TO247-4	1200V	40mΩ
PDX080C120Z-F	TO247-4	1200V	80mΩ



SiC SBD Product List



➤ Silicon Carbide Schottky Barrier Diode

● 650V
▲ 1200V

TO247-3L

● PCX20SD065R ● PCX40SD065R
▲ PCX20SD120R ▲ PCX30SD120R ▲ PCX40SD120R

TO247-2L

● PCX16S065R-T ● PCX20S065R-T ● PCX40S065R-T ● PCX50S065R-T
▲ PCX15S120R-T ▲ PCX20S120R-T ▲ PCX40S120R-T

TO263-2L

● PCH02S065R ● PCH04S065R ● PCH06S065R ● PCH08S065R ● PCH10S065R ● PCH16S065R ● PCH20S065R

TO220F-2L

● PCF02S065R ● PCF04S065R ● PCF06S065R ● PCF08S065R ● PCF10S065R

TO220-2L

● PCP02S065R ● PCP04S065R ● PCP06S065R ● PCP08S065R ● PCP10S065R ● PCP16S065R ● PCP20S065R
▲ PCP02S120R ▲ PCP04S120R ▲ PCP06S120R ▲ PCP08S120R ▲ PCP10S120R ▲ PCP15S120R ▲ PCP20S120R

TO252-2L

● PCD02S065R ● PCD04S065R ● PCD06S065R ● PCD08S065R ● PCD10S065R
▲ PCD02S120R ▲ PCD04S120R ▲ PCD06S120R ▲ PCD08S120R

2A

4A

6A

8A

10A

15A 16A

20A

30A

40A

50A

SiC Product Roadmap



Year		2023		2024		2025		2026	
Product Type	Voltage	2H	1H	2H	1H	2H	1H	2H	
SiC SBD	650V	2A/4A/6A 8A/10A/16A 20A/30A/40A	50A						
	1200V	2A/4A/6A 8A/10A/15A 20A/30A/40A	100A	2A/4A/6A 8A/10A/15A 20A/30A/40A	Vf<1.3V	2A/4A/6A 8A/10A/15A 20A/30A/40A	Vf<1.2V		
	1700V				10A/20A/50A	Vf<1.3V	10A/20A/50A	Vf<1.2V	
	2000V		10A/20A						
	3300V			1A/7A					
SiC MOSFET	650V	17mΩ 30mΩ 50mΩ							
	750V		18mΩ	30mΩ/ 40mΩ/ 60mΩ 80mΩ/ 150mΩ/ 220mΩ		14mΩ/ 20mΩ			
	1200V	18.5mΩ/ 30mΩ 40mΩ/ 80mΩ 150mΩ							
	1700V			20mΩ/ 40mΩ/ 80mΩ					
	2000V				100mΩ/ 200mΩ				

