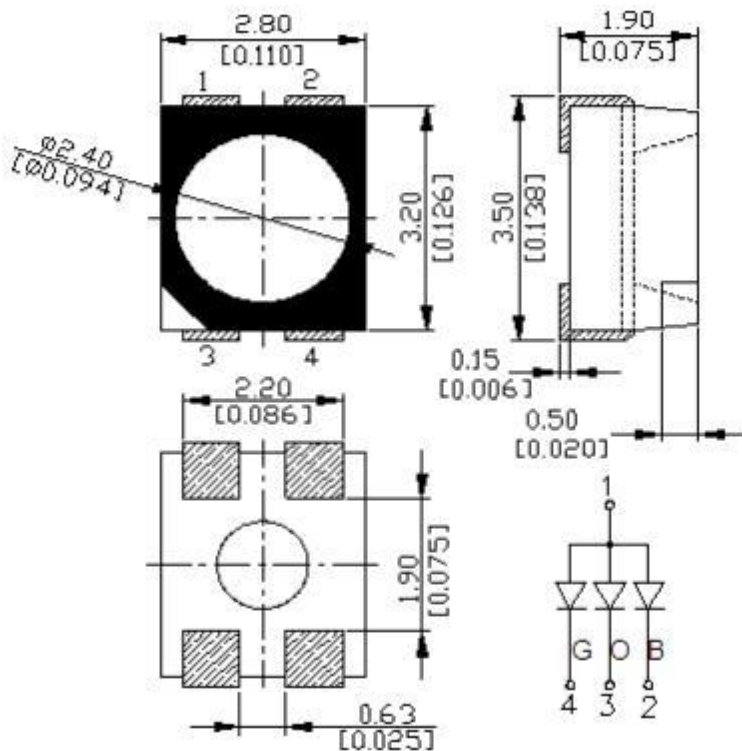


RF-W2SA30BS-A15

Feature

- ◆ Viewing angle:120
- ◆ The materials of the LED dice is InGaN, AlGaInP
- ◆ 3.50mm×2.80mm×1.90mm
- ◆ RoHS compliant lead-free soldering compatible

Package Outline



NOTES:

1. All dimensions are in millimeters (inches);
2. Tolerances are ± 0.2 mm (0.008inch) unless otherwise noted.

Absolute maximum ratings at Ta=25°C

Parameter	Symbol	Value	Unit
Forward current	If	30	mA
Reverse voltage	Vr	5	V
Operating temperature range	Top	-20~+85	°C
Storage temperature range	Tstg	-35~+85	°C
Pulse Forward Current	Ifp	100	mA
Electrostatic Discharge	ESD	2000(HBM)	V

Electro-optical characteristics at Ta=25°C

Parameter	Test Condition	Symbol		Value			Unit
				Min.	Typ.	Max.	
Spectral half bandwidth	If=20mA	$\Delta\lambda$	O	--	15	--	nm
Forward voltage	If=20mA	Vf	O	1.8	--	2.0	V
				2.0	--	2.2	
				2.2	--	2.4	
Dominant wavelength	If=20mA	λ_d	O	620	--	625	nm
				625	--	630	
Luminous intensity	If=20mA	Iv	O	280	--	350	mcd
				350	--	430	
Viewing angle at 50% Iv	If=20mA	2 θ 1/2		--	120	--	Deg
Reverse current	Vr=5V	Ir		--	--	10	μ A

Parameter	Test Condition	Symbol		Value			Unit
				Min.	Typ.	Max.	
Spectral half bandwidth	If=20mA	$\Delta\lambda$	G	--	30	--	nm
Forward voltage	If=20mA	Vf	G	3.0	--	3.2	V
				3.2	--	3.4	
Dominant wavelength	If=20mA	λ_d	G	520.0	--	522.5	nm
				522.5	--	525.0	
				525.0	--	527.5	
				527.5	--	530.0	
Luminous intensity	If=20mA	Iv	G	650	--	800	mcd
				800	--	1000	
				1000	--	1200	
Viewing angle at 50% Iv	If=20mA	2 θ 1/2		--	120	--	Deg
Reverse current	Vr=5V	Ir		--	--	10	μ A

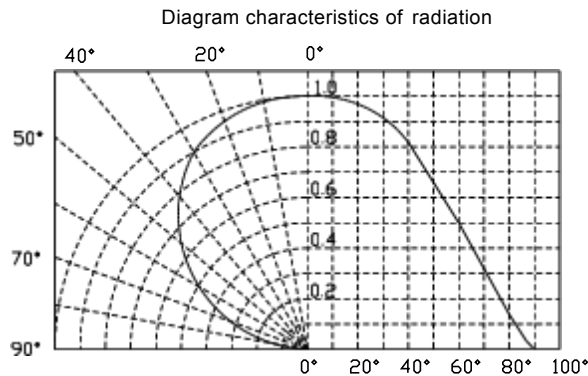
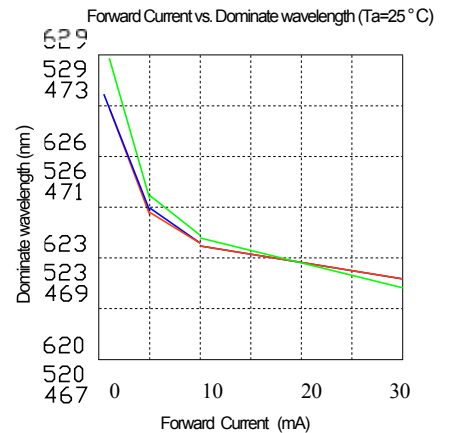
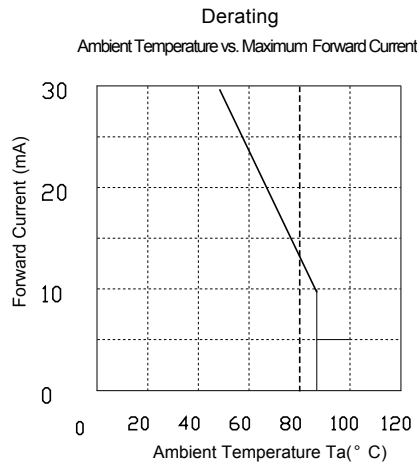
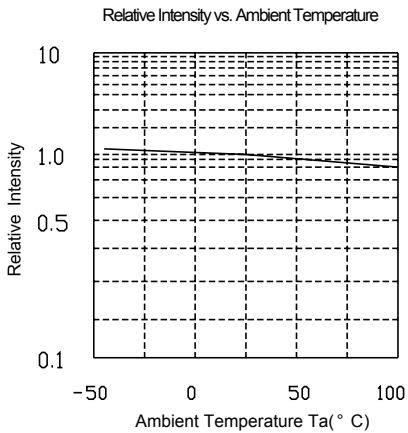
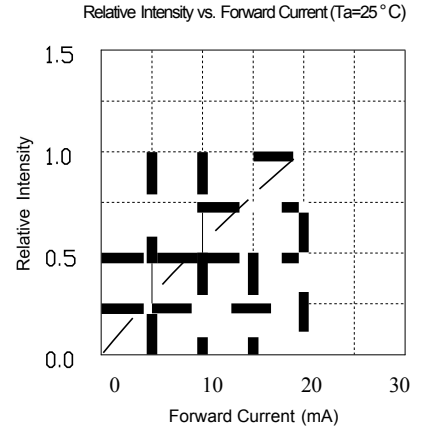
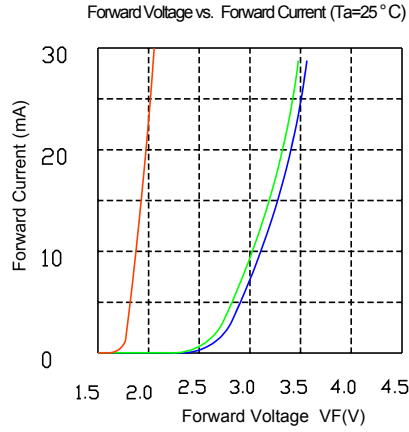
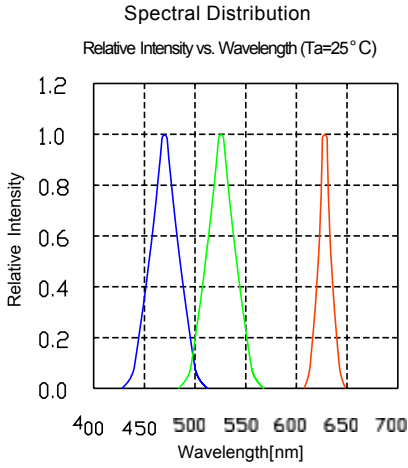
Parameter	Test Condition	Symbol		Value			Unit
				Min.	Typ.	Max.	
Spectral half bandwidth	If=20mA	$\Delta\lambda$	B	--	30	--	nm
Forward voltage	If=20mA	Vf	B	3.0	--	3.2	V
				3.2	--	3.4	
Dominant wavelength	If=20mA	λ_d	B	465.0	--	467.5	nm
				467.5	--	470.0	
				470.0	--	472.5	
Luminous intensity	If=20mA	Iv	B	150	--	180	mcd
				180	--	230	
				230	--	280	
				280	--	350	
Viewing angle at 50% Iv	If=20mA	2 θ 1/2		--	120	--	Deg
Reverse current	Vr=5V	Ir		--	--	10	μ A

NOTE: (Tolerance: Iv \pm 10%, λ_d \pm 2nm, Vf \pm 0.05V)



IFP Conditions: Pulse Width=10msec. and Duty =1/10.

Typical optical characteristics curves



Reflow profile

■ Soldering condition

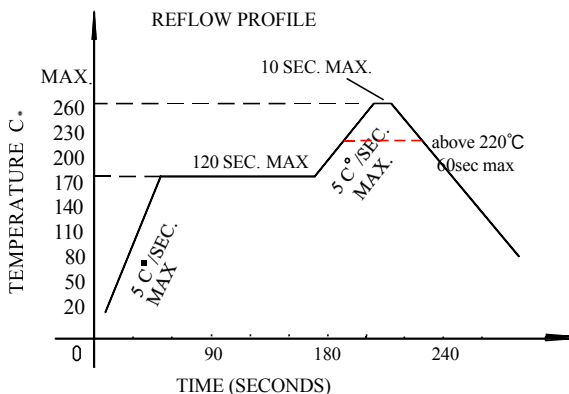
- Recommended soldering conditions

Reflow Soldering		Hand Soldering	
Pre-heat	160 ~ 180°C	Temperature	300°C Max.
Pre-heat time	120 seconds Max.	Soldering time	3 second Max. (one time only)
Peak temperature	260°C Max.		
Soldering time	10 seconds Max.		
Condition	Refer to Temperature-profile		

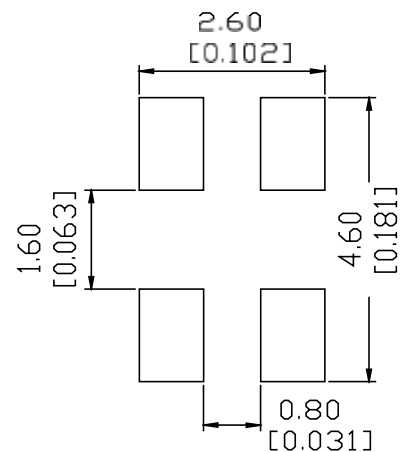
- After reflow soldering rapid cooling should be avoided

■ Temperature-profile (Surface of circuit board)

Use the following conditions shown in the figure.



RECOMMEND PAD DESIGN (Units: mm)



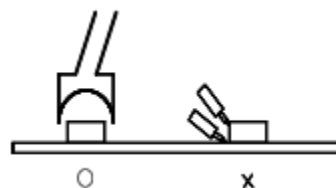
1. Reflow soldering should not be done more than two times
2. When soldering ,do not put stress on the LEDs during heating

■ Soldering iron

1. When hand soldering, keep the temperature of the iron under 300°C, and at that temperature keep the time under 3 sec.
2. The hand soldering should be done only a time
3. The basic spec is ≤ 5 sec. when the temperature of 260°C, do not contact the resin when hand soldering

■ Rework

1. Customer must finish rework within 5 sec under 260°C
2. The head of iron can not touch the resin
3. Twin-head type is preferred.



■ CAUTIONS

The encapsulated material of the LEDs is silicone . Therefore the LEDs have a soft surface on the top of package. The pressure to the top surface will be influence to the reliability of the LEDs. Precautions should be taken to avoid the strong pressure on the encapsulated part. So when using the picking up nozzle, the pressure on the silicone resin should be



proper.

Reliability

(1) TEST ITEMS AND RESULTS

Type	Test Item	Ref. Standard	Test Conditions	Note	Number of Damaged
Environmental Sequence	Resistance to Soldering Heat(Reflow Soldering)	JESD22-B106	T _{sld} =260°C,10sec	2 times	0/22
	Temperature Cycle	JESD22-A104	-40°C30min ↑↓5min 100°C30min	300 cycle	0/22
	Thermal Shock	JESD22-A106	-40°C 15min ↑↓ 100°C 15min	300 cycle	0/22
	High Temperature Storage	JESD22-A103	T _a =100°C	1000 hrs	0/22
	Low Temperature Storage	JESD22-A119	T _a =-40°C	1000 hrs	0/22
Operation Sequence	Life Test	JESD22-A108	T _a =25°C I _f =20mA	1000 hrs	0/22
	High Humidity Heat Life Test	JESD22-A101	60%CRH=90% I _f =20mA	1000 hrs	0/22

(2) CRITERIA FOR JUDGING THE DAMAGE

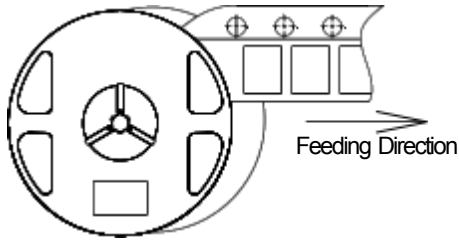
Item	Symbol	Test Conditions	Criteria for Judgement	
			Min.	Max.
Forward Voltage	VF	IF=20mA	-	U.S.L*)×1.1
Reverse Current	IR	VR=5V	-	U.S.L*)×2.0
Luminous Intensity	IV	IF=20mA	L.S.L**)×0.7	

U.S.L.: Upper Standard Level

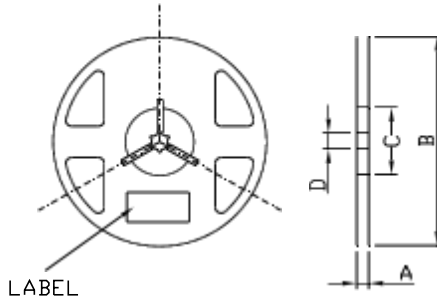
L.S.L.: Lower Standard Level

Packaging Specifications

● Feeding Direction

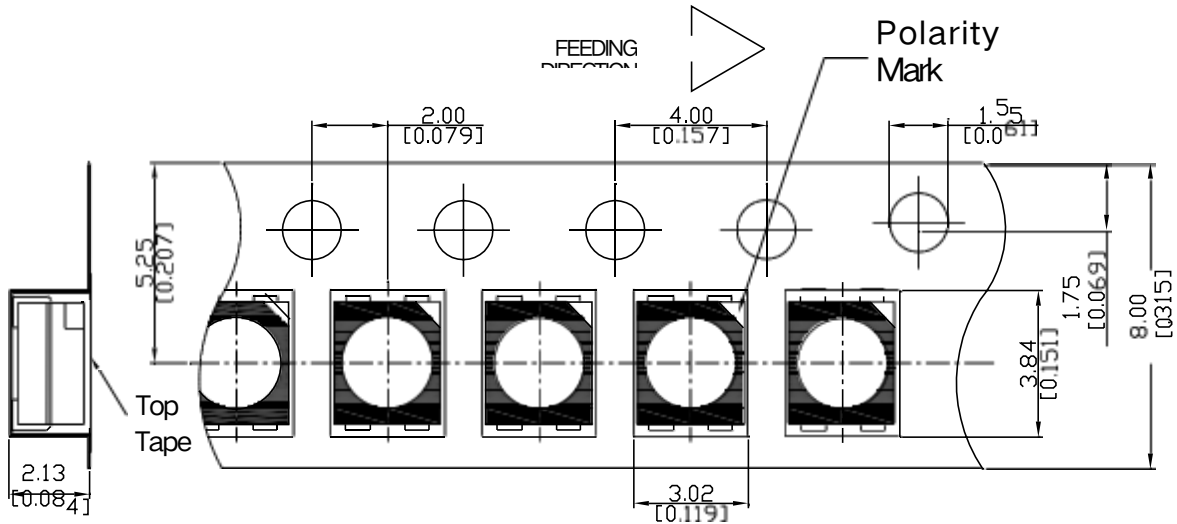


● Dimensions of Reel (Unit: mm)

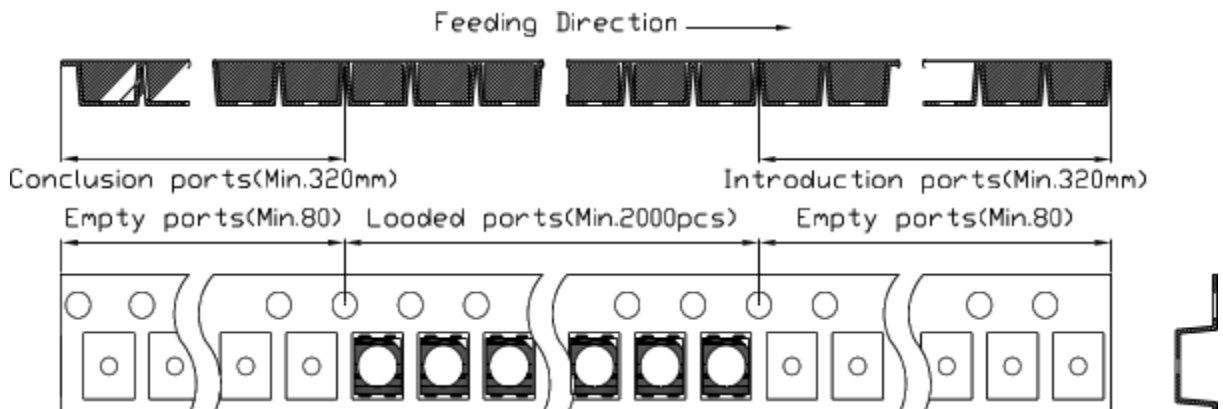


A	8.0±0.1mm
B	178±1mm
C	60±1mm
D	13.0±0.5mm

● Dimensions of Tape (Unit: mm)



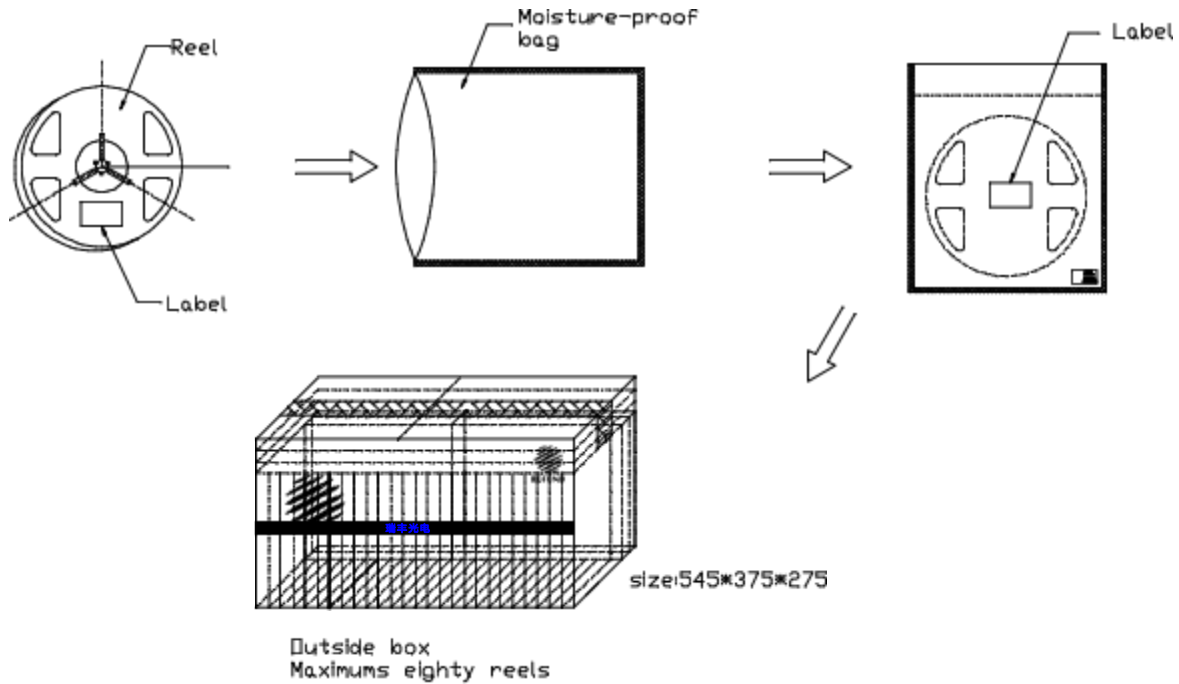
● Arrangement of Tape






NOTES

1. Empty component pockets are sealed with top cover tape;
2. The maximum number of missing lamps is two;
3. 2,000 pcs/ Reel.

Packaging specifications



■ Label

PART NO:	
	
LOT NO:	
	
BIN CODE:	
	
IV:	VF: WLD: QTY: PCS
	DATE:

CAUTIONS

Package specifications

Reeled products (numbers of products are 2,000pcs) packed in a seal off moisture-proof bag along with a desiccant one by one, Eighty moisture-proof bag of maximums are put the outside box (size: about 545mm x about 375mm x about 275mm) Together with buffer material, and it is packed. (Pare No., Lot No., quantity should appear on the label on the moisture-proof bag, part No. And quantity should appear on the label on the cardboard box.) The number of the loading steps of outside box (cardboard box) has two steps.

Storage conditions

Before opening the package:

The LEDs should be kept at 30°C or less and 70%RH or less. The LEDs should be used within a year. When storing the LEDs, moisture proof packaging with absorbent material (silica gel) is recommended.

After opening the package:

The LEDs should be kept at 30°C or less and 50%RH or less. If unused LEDs remain, they should be stored in moisture proof packages, such as sealed containers with packages of moisture absorbent material (silica gel). It is also recommended

to return the LEDs to the original moisture proof bag and to reseal the moisture proof bag again.