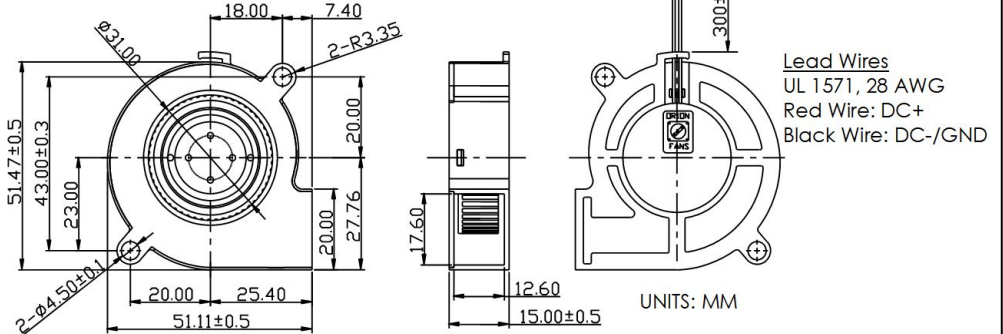


ODB5115 Series



DC Blowers - 12V
51mm x 15mm (2.0" x 0.6")



Frame	PBT, UL94 V-0 Plastic	Operating Temperature -10°C ~ +70°C Storage Temperature -40°C ~ +70°C Life Expectancy 70,000 Hours (L10 at 40°C) Available Options PWM Speed Control Input Tachometer Output Alarm Output Other Voltages IP Ratings Weight: 0.06 lbs	
Impeller	PBT, UL94 V-0 Plastic		
Connection	2x Wire Leads, 28 AWG		
Motor	Brushless DC, Auto Cutoff, Auto Restart, Electronically Protected		
Bearing System	Ball Bearings		
Dielectric Strength	500VDC/min, <1mA		
Insulation Resistance	≥10MΩ @ 500 VDC		

Part Number	Rated Voltage (Volts DC)	Voltage Range (Volts DC)	Input Power (Max Watts)	Rated Current (Amps)(Max)	Rated Speed (RPM)	Max Airflow (CFM)	Noise Level (dBA)	Max Static Pressure ("H ₂ O)
ODB5115-12HB	12	8 ~ 13.8	1.92	0.12 (0.16)	5500	4.2	38	0.50
ODB5115-12MB	12	8 ~ 13.8	1.44	0.08 (0.12)	4500	3.3	37	0.35
ODB5115-12LB	12	8 ~ 13.8	0.84	0.045 (0.07)	3500	2.4	32	0.20