

ORION AC Cooling Fans

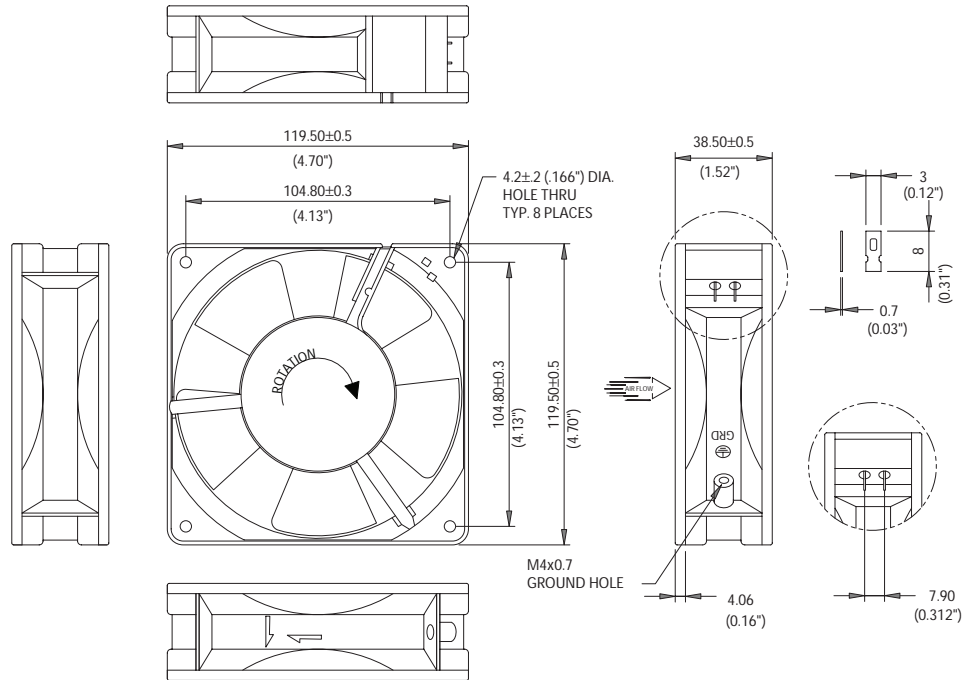
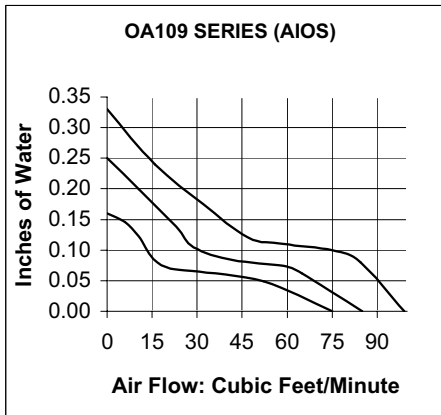


120 X 120 X 38mm (4.7" X 4.7" X 1.5")

REVERSE AIRFLOW (AIOS)



Motor	Shaded pole, impedance protected
Frame/Housing	Aluminum die-cast Painted black (AP)
Impeller	Glass reinforced thermoplastic, (UL94V-0) or diecast aluminum
Bearing System	Dual Ball Bearing or Sleeve
Dielectric Strength	1 min. at 1,500VAC, 50/60Hz.
Operating Temperature	Ball bearing -20°C~+75°C Sleeve Bearing -10°C~+60°C
Life Expectancy at 40°C	Ball bearing 60,000 hours (L10) Sleeve bearing 30,000 hours (L10)
Safety Approvals	UL, CUL, TÜV, VDE*



(Terminal type shown)

Model Number	Speed (RPM)	Max CFM	Noise (dB)	Volts	Voltage Range*	Watts	Max. Static Pressure Inches
OA109AP-11-1 [] () R	3100	99	47	115	80 ~ 130	15	.33
OA109AP-11-2 [] () R	2750	85	45	115	80 ~ 130	13	.25
OA109AP-11-3 [] () R	2300	75	38	115	80 ~ 130	12	.16
OA109AP-22-1 [] () R	3100	99	47	230	120 ~ 260	15	.33
OA109AP-22-2 [] () R	2750	85	45	230	120 ~ 260	13	.25
OA109AP-22-3 [] () R	2300	75	38	230	120 ~ 260	12	.16

[] Indicate [T] Terminal or [W] Wire () Indicate [B] Ball or [S] Sleeve

(Dual Voltage available by Special Order)

*(115V Carry TUV Approvals 230V Carry VDE Approvals)

Accessory Information:

- Finger Guard: G109-15A
- Plastic Guard: G120P
- Aluminum Filter: WMG120M
- Filter Kit: GRM120-30
- Power Cord: (Any configuration)