



ZheJiang JC Antenna Co., Ltd.

GPS/Glonass+LTE Combination Antenna

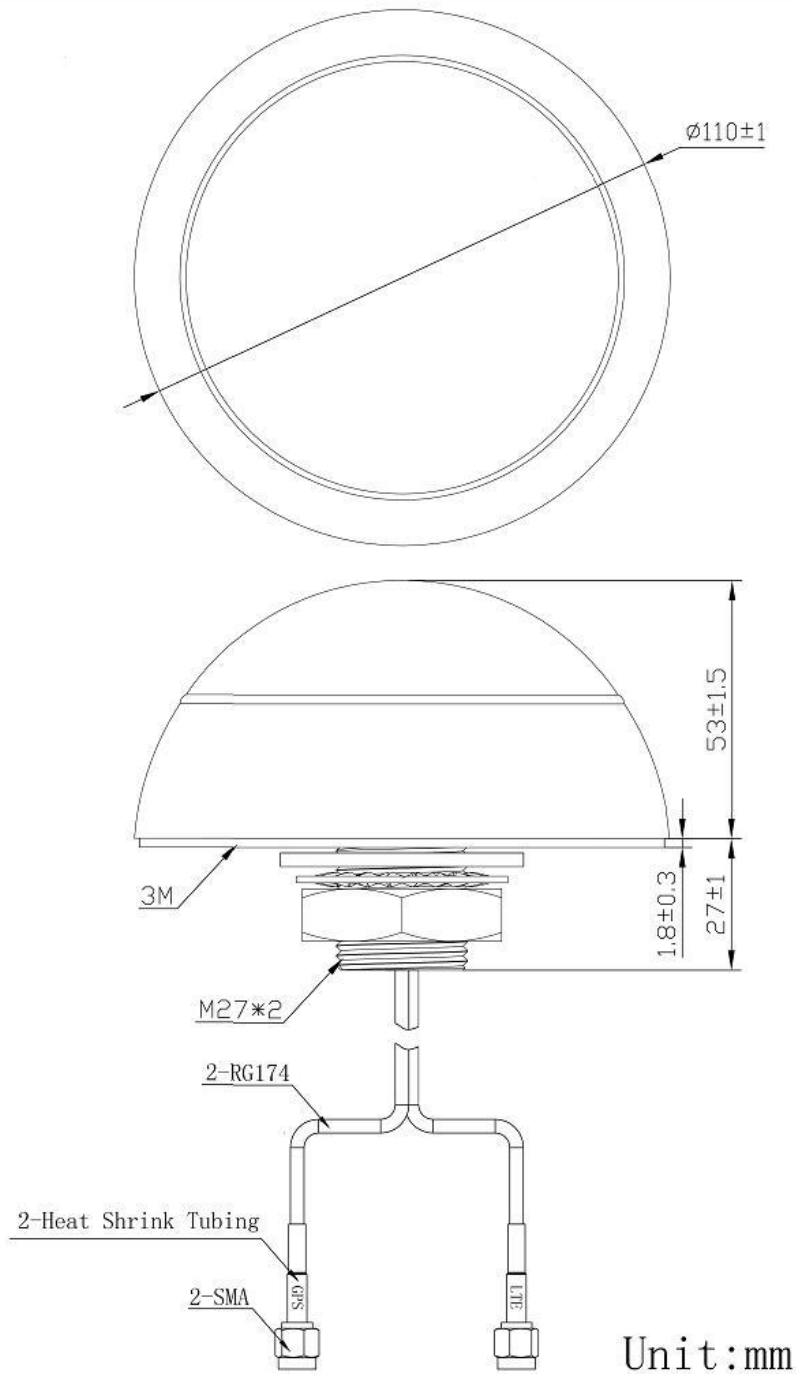
JCB604L



Zhejiang JC Antenna Co., Ltd.
Address: No.777 West Kangxing Road, Dayun Town, Jiashan
County, Zhejiang, China

Contact: Michael Jia
Email: sale4@jinchanggps.com
Mobile: +86 13666787753

DIMENSIONS





ZheJiang JC Antenna Co., Ltd.

SPECIFICATIONS

Item		Specifications
GPS/GLONASS Antenna	Frequency Range	1575-1610MHz
	Polarization	RHCP
	Impedance	50 Ω
	Dimension	25*25*6mm
	Gain	28 \pm 2dB
	Noise Figure	\leq 1.5dB
	Supply Voltage	3~5V DC
	Current Consumption	< 15mA
	V.S.W.R	< 2.0
LTE Antenna	Frequency Range	698~960MHz/1710~2690MHz
	V.S.W.R	< 3.0
	Polarization	Linear
	Gain	3dBi
	Impedance	50 Ω
Mechanical	Cable	RG174
	Connector	SMA or others
	Radome Material	ABS
	Mounting Method	Screw
Environmental	Operating Temperature	-40 $^{\circ}$ C~+85 $^{\circ}$ C
	Relative Humidity	Up to 95%
	Ingress Protection	IP67 (exclude cable outlet)
	Vibration	10 to 55Hz with 1.5mm amplitude 2hours
	Environmentally Friendly	ROHS Compliant