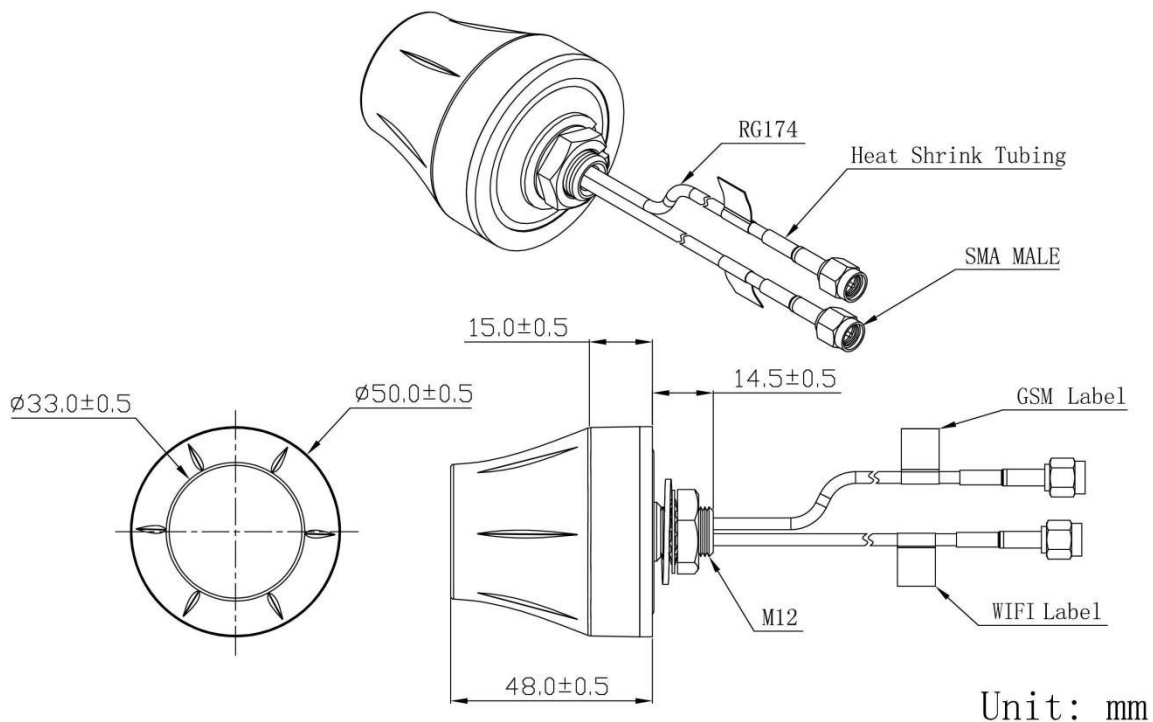


# LTE+WIFI(DualBand) Combination Antenna

## JCG062W



### DIMENSIONS



ZHEJIANG JC ANTENNA CO.,LTD

Add: 398#, Zhenye Road, South Street, Jiaxing, Zhejiang, China

Http:// www.jinchanggps.com

Email:sale4@jinchanggps.com

Tel: 86-0573-83692157/83692605/83958637 Fax:86-0573-83958635



Zhejiang JC Antenna Co., Ltd.

## SPECIFICATIONS

Item		Specifications
LTE Antenna	Frequency Range	698~960MHz/1710~2690MHz
	V.S.W.R	<2.0
	Polarization	Linear
	Gain	2.0dBi
	Impedance	50Ω
WIFI Antenna	Frequency Range	2400~2483.5MHz/4900~5825MHz
	Band Width	83.5MHz
	Polarization	Linear
	Gain	3dBi
	V.S.W.R	<2.5
	Impedance	50 Ω
Mechanical	Cable	RG174
	Connector	SMA/MCX/FAKRA or others
	Material	ABS
	Mounting Method	Screw
Environmental	Operating Temperature	-40℃~+85℃
	Relative Humidity	Up to 95%
	Ingress Protection	IP67 (exclude cable outlet)
	Vibration	10 to 55Hz with 1.5mm amplitude 2hours
	Environmentally Friendly	ROHS Compliant

**ZHEJIANG JC ANTENNA CO.,LTD**

Add: 398#, Zhenye Road, South Street, Jiaxing, Zhejiang, China

Http:// [www.jinchanggps.com](http://www.jinchanggps.com)

Email: [sale4@jinchanggps.com](mailto:sale4@jinchanggps.com)

Tel: 86-0573-83692157/83692605/83958637 Fax: 86-0573-83958635