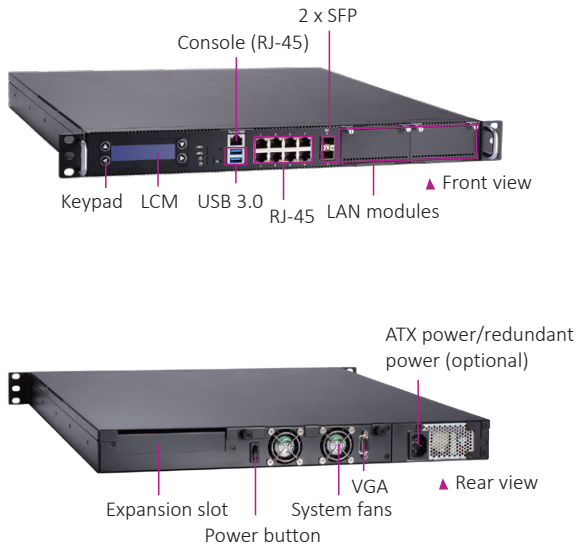


# NA592

1U 19" Rackmount Network Appliance with Intel® Xeon® W-1200 or 10th Gen Intel® Core™ Processor (Comet Lake) and up to 26 LAN



## Features

- Intel® Xeon® W-1200 or 10th gen Intel® Core™ i9/i7/i5/i3 processor
- Intel® W480E chipset
- 4 DDR4 2933MHz ECC (By CPU) or non-ECC UDIMM, up to 128GB
- 8 GbE RJ-45, 2 SFP (Intel® I350), and 2 NIC modules
- 2 pairs of LAN Bypass
- 2 USB 3.0 and 2 2.5" HDD/SSD bays
- 1 PCIe x8 FH/HL (optional), 3 M.2 Key B/E/M, 1 PCIe Mini Card slot
- 2 smart fans



## Specifications

### System

CPU	Intel® Xeon® W-1200 or 10th gen Intel® Core™ i9/i7/i5/i3 processor (Comet Lake)
Chipset	Intel® W480E
Memory	4 x DDR4 2933MHz ECC (By CPU) or non-ECC UDIMM, up to 128GB
BIOS	AMI SPI Flash BIOS
Storage	2 x 2.5" SATA HDD/SSD bays 1 x M.2 Key B 2242 slot (SATA)
Network Interface	8 x GbE RJ-45 and 2 x SFP (Intel® I350) 2-pair LAN Bypass 2 x NIC module through AX98621 I/O board (optional)
I/O	1 x Console (RJ-45) 2 x USB 3.0 1 x LCM with 4 keypads 1 x VGA (optional)
TPM	Onboard TPM 2.0
IPMI	BMC AST2500, IPMI 2.0 (optional)
Expansion Interface	1 x PCIe x8 through AX96708 riser card (optional) 1 x M.2 Key E 2230 (PCIe x1) 1 x M.2 Key M 2242/2280 (PCIe x4) through AX98621 I/O board (optional) 1 x PCIe Mini Card slot (PCIe x1 in default, SATA by BOM option) 1 x Nano SIM socket
Watchdog Timer	255 stepping for system reset 8 stepping for LAN Bypass
Power Supply	300W single power supply 400W 1U redundant power supply
OS Compatibility	OS Compatibility

## Mechanical/ Environmental

Form Factor	1U 19" rackmount
LED	Power, HDD, GPIO programmable, LAN Bypass, Link/Act with transfer rate
Operating Temperature	0°C to +40°C (+32°F to +104°F)
Humidity	10% to 90% RH, non-condensing
Chassis Material	SECC
Dimensions	44 mm (1.73") (H) x 430 mm (16.93") (W) x 450 mm (17.7") (D)
Weight (net/gross)	6.0 kg/9.5 kg (single power) 7.3 kg/10.8 kg (redundant power)
Certifications	CE/FCC Class A

## Ordering Information

Standard (P/N)	CPU	PCH	DDR4 Slot	1GbE LAN Port	LAN Bypass	IPMI	TPM 2.0	NIC Slot	PCIe Expansion	Power
NA592-480E-A (P/N: E26E592100)	Intel® Xeon® W-1200 or 10th gen Intel® Core™	W480E	4	8RJ+2SFP	2 pairs	Optional, by project	Yes	Optional	1 x PCIe x8 (optional, only supports 1 NIC slot)	AC single 300W
NA592-480E-B (P/N: E26E592101)	Intel® Xeon® W-1200 or 10th gen Intel® Core™	W480E	4	8RJ+2SFP	2 pairs	Optional, by project	Yes	Optional	1 x PCIe x8 (optional, only supports 1 NIC slot)	AC redundant 400W

## Optional Accessories

83986211050E	AX98621, I/O board for 2 NIC slots and M.2 SFP
83967081000E	AX96708, riser card for PCIe x8 (rear)
83986211060E	AX98621, I/O board for 1 NIC slot, M.2, and 1 PCIe x8 slot
5916E552000E	DB9F-RJ-45, 1.8M console cable for Cisco
594E8602000E	VGA cable IDC 16P 2.0/D_SUB 15P, L: 37cm
59906000010E	Power cord YP-12/YC-12 (Japan)
59903000000E	Power cord YP-22/YC-12 (Europe)
59905000000E	Power cord YP-35/YC-12 (Australia)
59904010000E	Power cord/UK YP-61A/YC-12, L = 1830 mm

## Optional NIC Modules

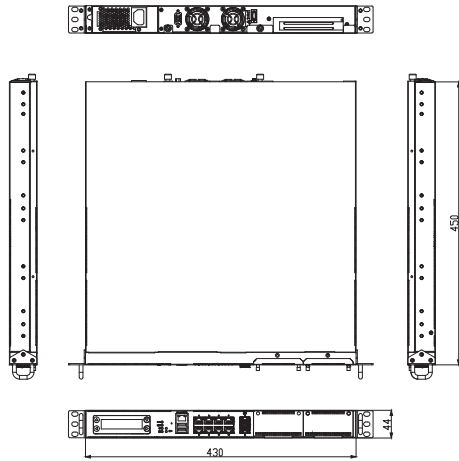
E393316109	AX93316-8GI-i350 with LAN tray
E393322102	AX93322-8FI-350 with LAN tray
E393322103	AX93322-8MIL-350 with LAN tray
E393336102	AX93336-4GIL-i350 2 LBP with LAN tray
E393336103	AX93336-4FI-i350 with LAN tray
E393307100	AX93307-2FI 10G 82599ES with LAN tray
E393327101	AX93327-4FI 10G XL710 with LAN tray
E393331100	AX93331-2QFI dual-port 40GbE with LAN tray
E393332100	AX93332-25FI dual-port 25GbE with LAN tray

If you need more NIC modules information, please contact our sales representative.

## Dimensions

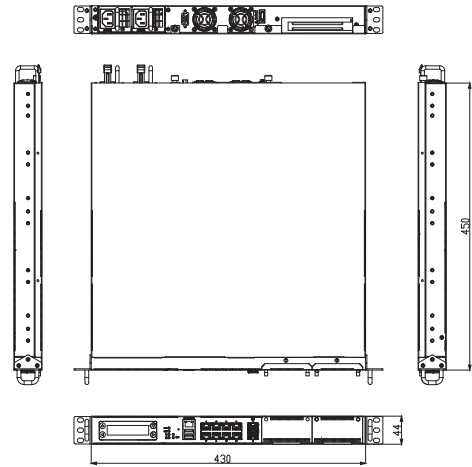
NA592-A

unit: mm



NA592-B

unit: mm



## I/O Mechanical Layout /Drawing

