

PT-S959SDLX

12.1 inch Touch Panel PC with Intel® Atom™ E3845

 CONTEC

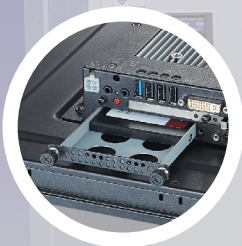
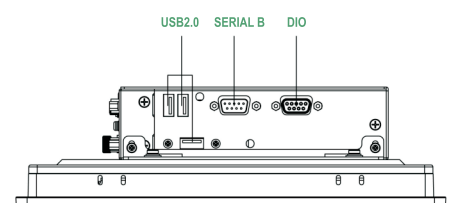
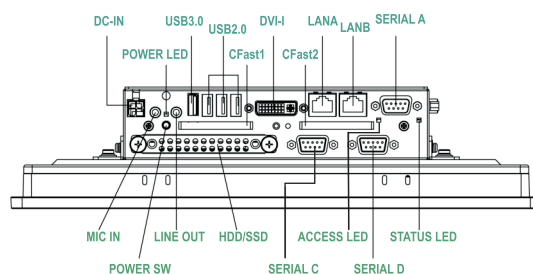


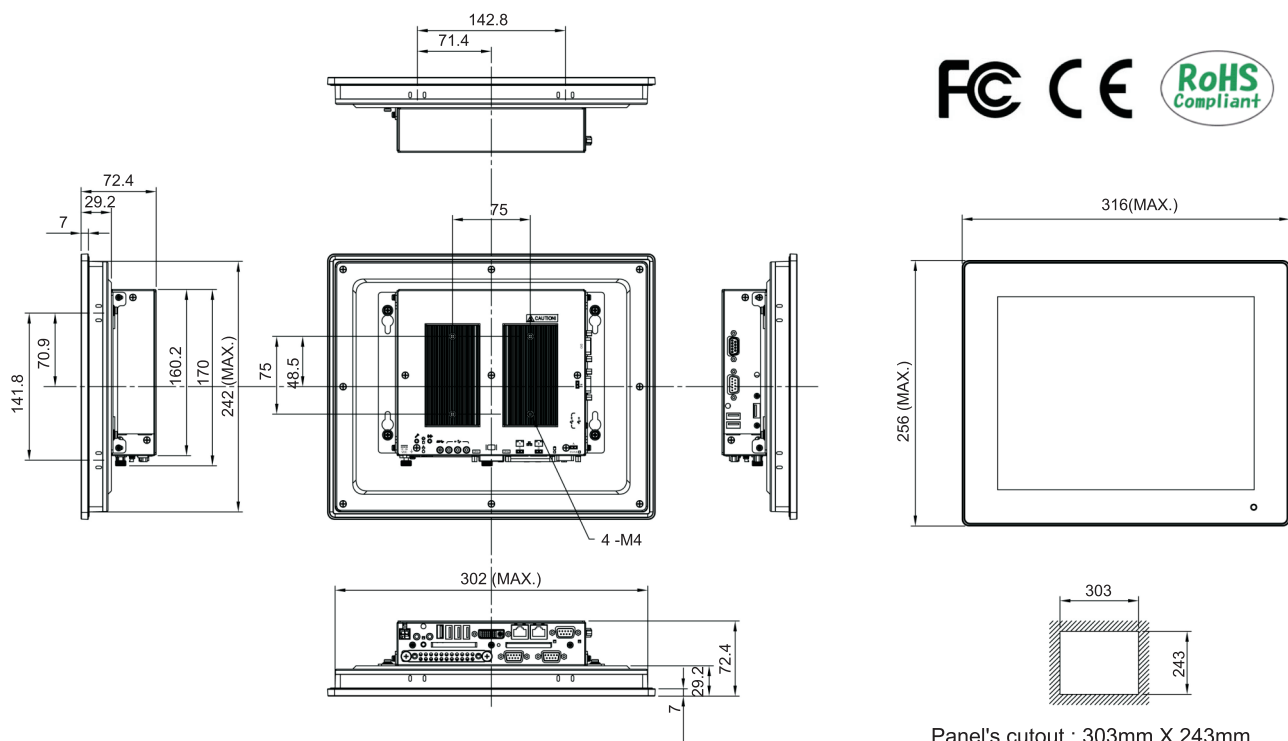
Features

- Intel® Baytrail SoC base platform
- Silent fanless design with thinner chassis
- IP65 front panel for water-proof applications
- 12.1" LCD with long-life touch screen and LED backlight for power saving
- Support 5-wire resistive
- Dual LAN, 4x COM, 7x USB, 1x DIO and other rich expansion interface
- Easy replacement of the storage device 2.5-inch SATA drive bay
- Support 2x CFast at BIOS selectable

Optional Configuration

- 1x 2.5" HDD SATA or SSD SATA
- 1 or 2x CFast Card
- AC adapter 19V/65W
- OS Win 7/8.1/10 (32/64-bit)





Panel's cutout ; 303mm X 243mm
User Panel's thickness ; t=7.0mm (max.)

Specifications

System	CPU	Intel® Atom™ E3845 1.91GHz Quad Core
	Chipset	Intel® Baytrail SoC
	BIOS	AMI SPI BIOS
	Memory	One 204Pin SO-DIMM socket support DDR3L 1333 up to 8GB/ECC
	Graphic	Integrated Intel® HD Graphics Controller
	LAN Chipset	2x Intel® I210IT GbE Controller
	Watchdog timer	255-level
	Expansion	NA
Display	LCD panel	12.1", XGA(1024×768), 262k colors
	Backlight	LED ON/OFF by software control
	Luminance	600 cd/m ² (Typ.)
Touch panel	Touch type	5-wire resistive (Frame touch)
	Maximum operating force	80g (R0.8 Touch Pen)
	Connection	Internal RS-232 connection
External I/O	Display Port	1 x DVI-I
	LAN	2 x RJ-45 ports for GbE
	Audio	1 x Line-out, 1x Mic-in (Realtek ALC892 HD)
	Serial Port	3 x RS-232C, 1x RS-232C/422/485
	DIO Port	Programmable 6-bit digital I/O
	USB Port	6 x USB2.0, 1x USB3.0
Storage	Type	1 x 2.5" drive bay for SATA HDD/SSD (Standard) 2 x CFast (at BIOS selectable)
	DC input	12~24VDC
Power supply	AC input	N/A
	Operating Temperature	0 ~ 40°C (w/ HDD) 0 ~ 50°C (w/ wide temperature HDD/SSD)
Environment	Storage Temperature	-10 ~ 60°C
	Storage Humidity	10 ~ 90%RH, non-condensing
	Dimension (WxDxH)	316 x 256 x 72.4mm
Mechanical	Weight	3.57kg
	OS support	Windows 7/8.1/10 (32/64-bit) English
Packing List	1 x Panel PC 1 x Mounting bracket kits	

Ordering Guide

- PT-S959SDLX-DC7000 12.1" 5-wire resistive PANEL PC w/Atom E3845, 4GB DDR3L memory
- PT-S959SDLXF2-DC7000 12.1" 5-wire resistive PANEL PC w/Atom E3845, 4GB DDR3L memory, support 2x CFast