

STAND-PC

21.5-inch full HD IPS panel capacitive 10-point multi-touch model

SPT-200A-22TP

21.5-inch full HD VA panel optical 2-point multi-touch model

SPT-200A-22TR

The picture is SPT-200A-22TP.

* Specifications, color and design of the products are subject to change without notice.

Features

- Shipped to your door already assembled as an "All-in-One" PC.

The product is shipped from the factory with the display monitor, stand, PC unit pre-assembled. Just connect the cable to the PC and turn on the power to get started.

- Touch-screen display for industrial-use meets the IP54 standard (SPT-200A-22TP)

Adopted an industrial-use touch-screen display monitor of IPS style featuring enhanced visibility with wide-viewing-angle.

The product supports 10-point multi-touch and you can operate by touching the display with your finger like a tablet PC or smart phone. The front side of the display meets the IP54 standard and it ensures waterproofing and dust-proofing

- High-performance touch screen display. (SPT-200A-22TR)

Adopted a touch-screen display monitor featuring cost-effective achieved by VA style. It supports 2-point optical multi-touch and allows you to operate with the work-gloves you wear every day.

- Various, extendable interfaces are provided

Unique to an industrial-use PC, various, extendable interfaces including 1000BASE-T×2 (or 1), wireless LAN (optional), USB3.1×2, USB2.0×4, and serial (RS-232C)×1 are provided.

- A low center gravity structure achieved by mounting the PC in the pedestal

Mounting the PC unit in the pedestal of the display stand achieves a low center gravity structure and makes the product stable.

The pedestal part can also be set with screws.

- New structure housing for high performance CPU

A heat pipe and a thin CPU fan are adopted to set the high performance CPU in a limited space. The cooling structure of the duct structure that separates the air flow to the PC prevents dust and foreign matter to be inhaled into the PC. The damshell open / close mechanism is used to access the inside a PC easily. Adding memory or performing maintenance can be done even with the display monitor is fixed.

- Long-term product availability contributes to low-cost operation

In addition to the industrial display monitor, taking up CPU configurations can contribute to longer-term product availability.

This frees the users from operation checks or device structure changes each time PC models changes, and it also reduces the running costs of development or verification. With the SPT-200A-22TP, display monitor section is also ensured longer-term product availability by adopting an industrial-use display.

This product is an "All-in-One" PC with an integrated high-performance touch screen.

21.5-inch size of the display monitor is pre-installed, and rich, extendable interfaces such as HDMI, 1000BASE-T, wireless LAN, USB 3.1, serial and Audio are provided.

As a large-screen display terminal you can touch with your finger and operate like a tablet PC, this product can be used to control production lines, provide work instructions, manage access, in addition to operate industrial devices through the screen.

Embedded-type chipset and CPU have been adopted. The use of readily available parts ensures the ease of the use of the product.

* Visit the CONTEC website to check the latest details in the document.

* Visit the CONTEC website to check the latest OS.

* The information in the data sheets is as of October, 2022.

- Pre-installation of OS to support the latest integrated type

You can select whether to pre-install Windows 10 IoT Enterprise LTSC 2019 64-bit edition that supports Japanese, English, Chinese, or Korean. Unlike Windows10 commonly used, long-term availability with the same specifications are guaranteed. Moreover, Write Filter, one of the additional functions, enables the system to operate with Read-only.

Included Items

- Product...1
- AC Adapter for PC...1
- Branch AC Power Cable For PC and Display...1
- Display Cable...1 *1
- Stand Wiring Cover...1
- AC Adapter For Display...1 *3
- Wireless LAN Antenna...1 *2
- USB Cable For Touch Screen...1 *1
- Cable Tie...2
- AC Adapter Mount Parts...2 *4
- Brackets (with four screws)...1 *4
- Product Guide...1

*1 Preset upon shipment

*2 Packed when selecting the wireless LAN

*3 Packed in the SPT-200A-22TP

*4 Packed items vary depending on the selection

Specifications

Function Specifications

| Item | SPT-200A-22TP | SPT-200A-22TR | |
|---|--|--|---------------------------------------|
| CPU [Selection] *1 | Intel® Core™ i5-8500T Processor (2.1GHz 6 core /6-thread) Intel® Core™ i3-8100T Processor (3.1GHz 4 core /4-thread) Intel® Celeron® G4900T Processor (2.9GHz 2 core /2-thread) | | |
| Main memory [Selection] *1 | Max. 16GB, 260-pin SO-DIMM Socket x 2, PC4-21333(DDR4-2666)DDR4 SDRAM 8GB : 8GB DDR4-2666 SO-DIMM(Non-ECC) x 1 16GB : 8GB DDR4-2666 SO-DIMM(Non-ECC) x 2 | | |
| Storage [Selection] *1 | 2.5" SATA 500GB HDD 2.5" SATA SSD 128GB 2.5" SATA SSD 256GB 2.5" SATA SSD 512GB 2.5" SATA SSD 1024GB M.2 SSD 128GB | | |
| Graphics | CPU built-in | Intel® UHD graphics 630 / 610 | |
| | Video memory/ standard-resolution | Share with the main memory / 800×600 - 1,920×1,080 (digital)/ 16,770,000 colors | |
| Display | Panel type | 21.5-inch wide Gloss screen IPS | 21.5-inch wide Gloss screen VA panel |
| | Touch screen detection system | Projected capacitive touch screen 10-Point multi touch | Optical system 2-point multi touch |
| | Touch screen communication method | USB | |
| | Aspect ratio | 16 : 9 | |
| | Pixel pitch | 0.247 x 0.247 mm | 0.248 x 0.248 mm |
| | Resolution (max)/ Display color (max) | 1,920 x 1,080 (60Hz) /16,770,000 colors | |
| | Contrast ratio (max) | 1,000 : 1 | |
| | View angle (horizontal/vertical) | 178°(Horizontal) / 178°(Vertical) | 170°(Horizontal) / 160°(Vertical) |
| | Response time | 8ms (Gray to Gray) | 5ms (Gray to Gray) |
| | Maximum luminance (with touch screen) | 225 cd/m ² | 200 cd/m ² |
| | Dust-proof, Drip-proof, | Display front side IP54- compliant | - |
| | External interface (Display) | Touch screen input | USB x 1 (Used) |
| DVI | | DVI-D x 1 (29-pin DVI connector Used) | |
| External interface (PC) | LAN A | 1 x 1000BASE-T/100BASE-TX/10BASE-T (Wake On LAN support) | |
| | LAN B [Selection] *1 | 1 x 1000BASE-T/100BASE-TX/10BASE-T *2 | |
| | Wireless LAN [Selection] *1 | Wireless LAN IEEE 802.11 ac / a / b / g / n | |
| | USB | 2 x USB 3.1 Gen1 standard, 4 x USB 2.0 standard (1 port used) | |
| | RS-232C | 1 x RS-232C 9-pin D-SUB connector (male) Baud rate: 50 - 115,200bps | |
| | Display | 1 x HDMI (Used), 1 x DisplayPort | |
| | Audio | HD Audio compliant, 1 x LINE OUT, 1 x MIC IN | |
| Display side power supply (Bundled AC adapter) | Rated power supply input voltage | 100 - 240VAC | |
| | Range of input voltage | 90 - 264VAC | |
| | Power consumption | 48W | 26W |
| PC side power supply (Bundled AC adapter) | Rated power supply input voltage | 100 - 240VAC | |
| | Range of input voltage | 90 - 264VAC | |
| | Power consumption | 79W | |
| | External device power supply capacity | USB3.1 : +5VDC 1.8A (900mA x 2) USB2.0 : +5VDC 2.0A (500mA x 4) | |
| Physical dimensions (mm) | 517(W) x 291(D) x 404(H) (No protrusions) | 511(W) x 291(D) x 388(H) (No protrusions) | |
| Weight | 7.7kg (Excluding AC adapter) | 7.8kg (Excluding AC adapter) | |
| Operating system [Selection] *1 | None Windows 10 IoT Enterprise LTSC 2016 64-bit (Japanese/English/Chinese/Korean) Windows 10 IoT Enterprise 2019 LTSC 64bit with Microsoft Edge (Chromium) (Japanese/English/Chinese/Korean) | | |

*1 The type of CPU, memory, and storage are selectable. Additional LAN is available.

*2 Storage [M.2 SSD 128GB] is unavailable when wire-LAN is selected for additional LAN.

Ambient specifications

| Item | Description | |
|----------------------------|--|---|
| Operating temperature | 5 - 40°C | |
| Operating Humidity | 20 - 80%RH (No condensation) | |
| Storage temperature | -20 - +60°C | |
| Operating Humidity | 5 - 80%RH (No condensation) | |
| Floating dust particles | Not to be excessive | |
| Corrosive gases | None | |
| Line-noise resistance | Line noise | AC line/±2KV, Signal line/±1KV (EN61000-4-4 Level3, IEC61000-4-4 Level3) |
| | Static electricity resistance | Contact discharge / ±4kV (IEC61000-4-2 Level 2, EN61000-4-2 Level 2) Atmospheric discharge / ±8kV (EN61000-4-2 Level 3, IEC61000-4-2 Level 3) |
| Vibration resistance *3 | Sweep resistance | 10 - 57Hz / semi-amplitude: 0.075 mm, 57 - 150Hz / 9.8m/s ² (1G) 40 min. each in x, y, and z directions (JIS C60068-2-6 -compliant, IEC60068-2-6 -compliant) |
| | Shock resistance *3 | 10G, half-sine shock for 11 ms in x, y, and z directions (JIS C60068-2-27-compliant, IEC60068-2-27-compliant) |
| Standard | VCCI Class A, FCC Class A, CE Marking (EMC Directive Class A, RoHS Directive) *4, UKCA | |

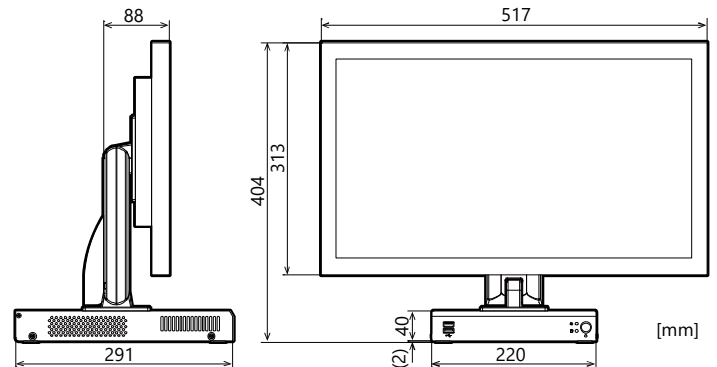
*3 When the AC adapter holder (Replacement parts) is not installed.

*4 The wireless LAN installed type is not certified for CE Marking.

Physical Dimensions

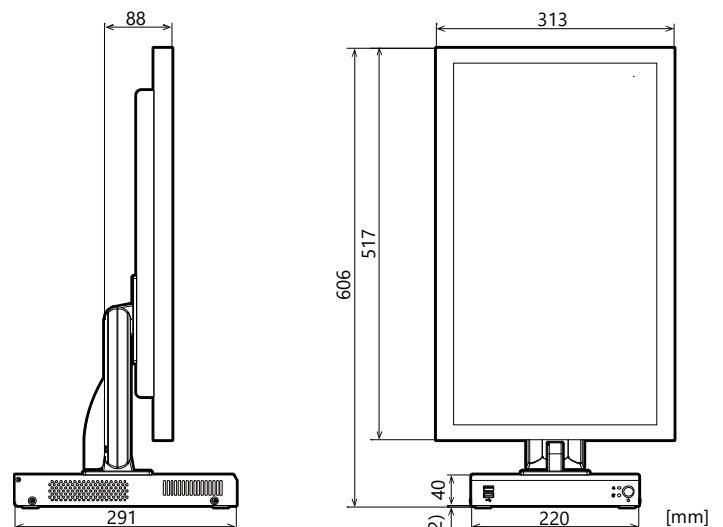
SPT-200A-22TP

Display horizontal installation

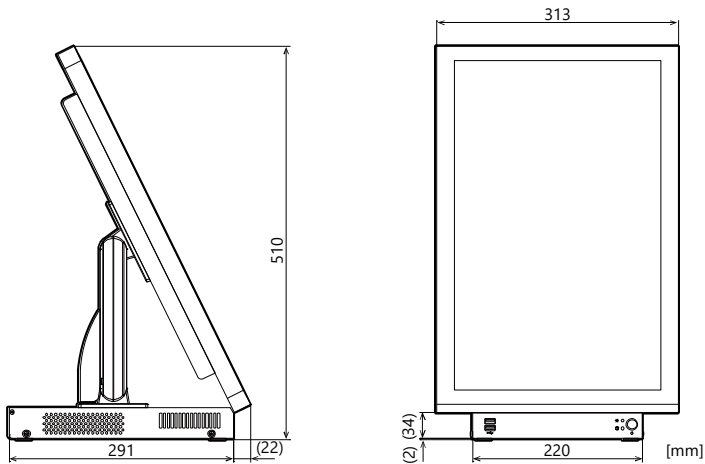


Display vertical installation

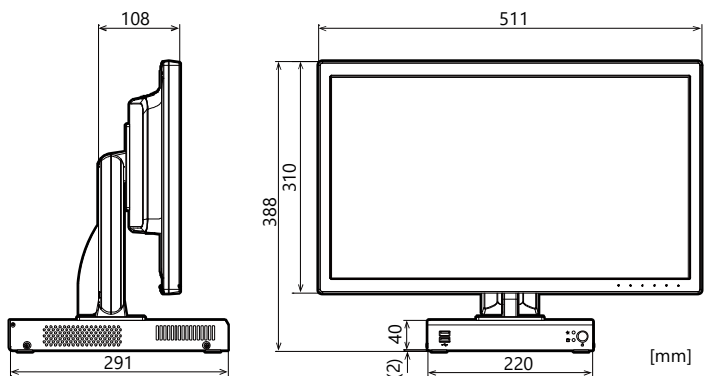
Set the display monitor in the lower VERA fixing hole



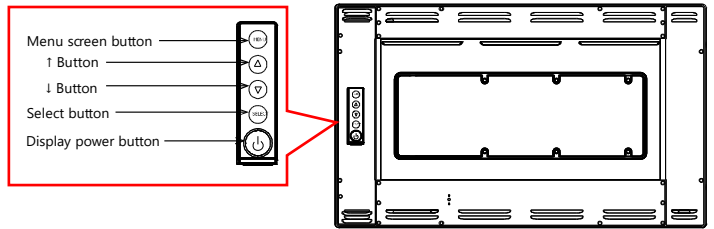
Set the display monitor in the center VERA fixing hole



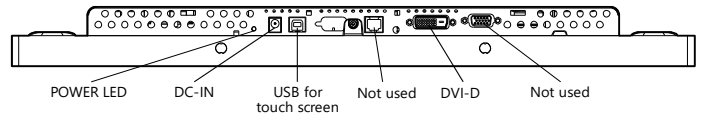
SPT-200A-22TR



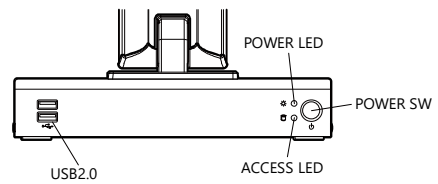
Display section rear view



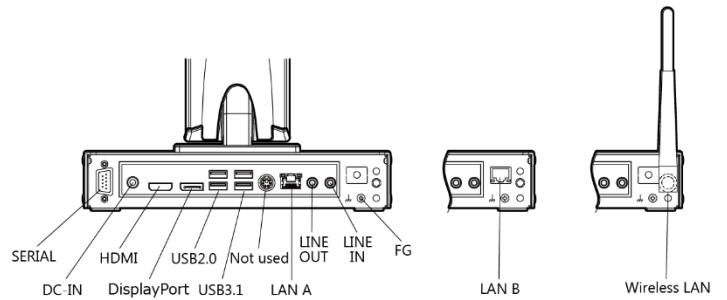
Display section bottom view



PC section front view



PC section rear view



Replacement Parts for Maintenance

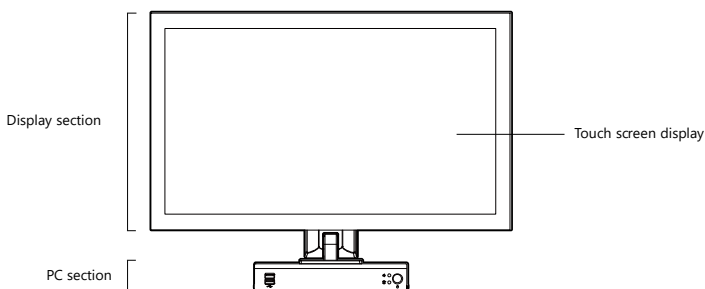
| Parts name | Type | Description |
|-------------------|---------------|---|
| VESA Mount Parts | SPT-200A-VESA | SPT-200A Series VESA Mount Parts(100mm×100mm) |
| CPU Cooling Fan | SPT-200A-FAN | SPT-200A Series CPU FAN Unit |
| AC Adapter Holder | SPT-200A-PWA | SPT-200A Series AC Adapter Mount Parts |
| Hard Disk | SSD-128GS-2T | 2.5inch 128GB SATA SSD |
| | HDD-500GS-2 | 2.5inch 500GB SATA HDD |
| Display Monitor | SPT-22TP-DSP | STAND-PC 21.5" PCAP Touch screen display |
| | SPT-22TR-DSP | STAND-PC 21.5" Optical Touch screen display |

Visit the CONTEC website for the latest replacement parts for maintenance.

Nomenclature of Product Components

SPT-200A-22TP

Product front view



Component Function

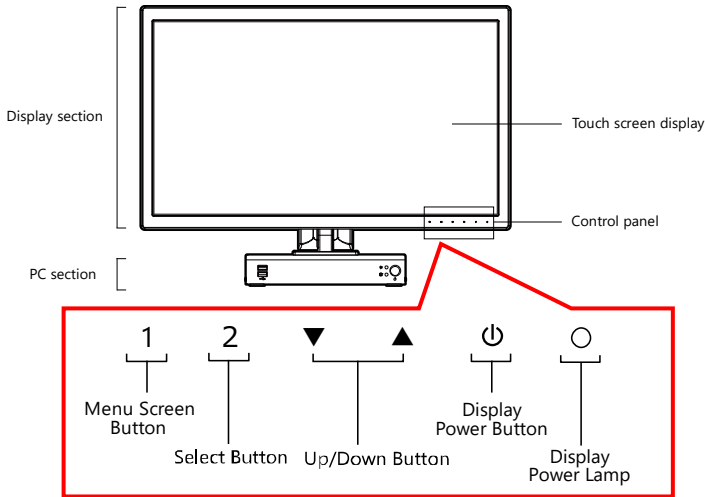
| Name | Function |
|-----------------------------|---|
| Display section | |
| Display POWER BUTTON | Power switch for a display |
| POWER LED | Power ON display LED |
| DC-IN | DC power input connector |
| USB for the touch-screen *1 | TYPE-B connector x 1 |
| DVI-D *1 | Display port (24-pin Female) |
| PC section Front | |
| USB2.0 | USB2.0 port TYPE-A connector x 2 |
| POWER LED | PC power display LED |
| ACCESS LED | Disk access display LED |
| POWER SW | PC power switch |
| PC section Rear | |
| SERIAL | Serial port connector (9-pin D-SUB Male) |
| DC IN | DC power input connector |
| HDMI | Display (19-pin HDMI TYPE-A connector) |
| DisplayPort *1 | DisplayPort connector (20-pin Female) |
| USB2.0 | USB2.0 port TYPE-A connector x2 |
| USB3.1 | USB3.1 Gen1 port TYPE-A connector x2 |
| LAN A | Ethernet 1000BASE-T/100BASE-TX/10BASE-T RJ-45 connector |
| LINE OUT | Line out (3.5p PHONE JACK) |
| LINE IN | line input (3.5p PHONE JACK) |
| FG | Frame ground |
| LAN B (Selection) *2 | Ethernet 1000BASE-T/100BASE-TX/10BASE-T RJ-45 connector |
| Wireless LAN (Selection) | Antenna for Wireless LAN IEEE 802.11 ac/a/b/g/n |

*1 Use this to display two screens.

*2 Storage [M.2 SSD 128GB] is unavailable when you select LAN B (wired LAN).

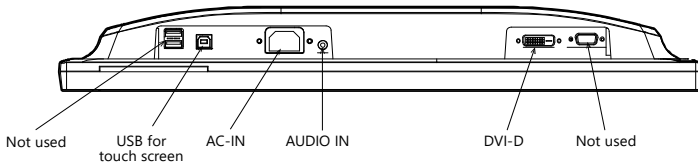
SPT-200A-22TR

Product front view

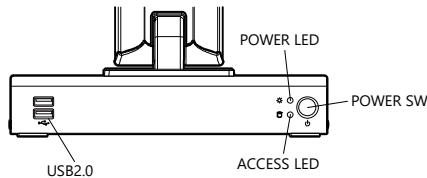


| Item | Description |
|------|---|
| 1 | Menu Screen Button This displays the setting menu or ends the control displayed. |
| 2 | Select Button This displays the control setting screen of the selected menu. |
| ▼/▲ | Up/Down Button This switches the menu or adjusts the control displayed. |
| ⏻ | Display Power Button Display power ON/OFF |
| ○ | Display Power Lamp Blue: ON, Orange: Power save |

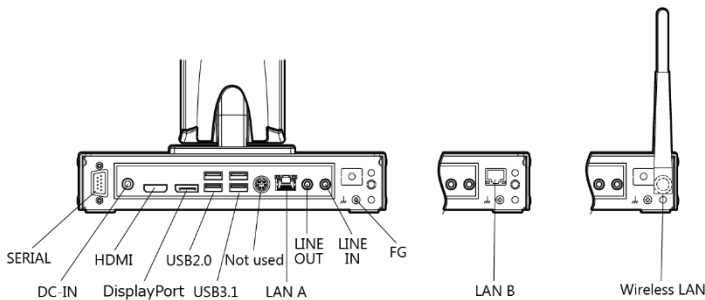
Display section Bottom view



PC section Front view



PC section Rear view



Component Function

| Name | Function |
|-----------------------------|---|
| Display section | |
| Display POWER BUTTON | Power switch for a display |
| POWER LED | Power ON display LED |
| USB for the touch screen *1 | TYPE-B connector x 1 |
| AC-IN | AC power input connector |
| AUDIO IN | LINE input (3.5φ PHONE JACK) |
| DVI-D *1 | Display port (24-pin Female) |
| PC section Front | |
| USB2.0 | USB2.0 port TYPE-A connector x 2 |
| POWER LED | PC power display LED |
| ACCESS LED | Disk access display LED |
| POWER SW | PC power switch |
| PC section Rear | |
| SERIAL | Serial port connector (9-pin D-SUB Male) |
| DC IN | DC power input connector |
| HDMI | Display (19-pin HDMI TYPE-A connector) |
| DisplayPort *1 | DisplayPort connector (20-pin Female) |
| USB2.0 | USB2.0 port TYPE-A connector x 2 |
| USB3.1 | USB3.1 Gen1 port TYPE-A connector x 2 |
| LAN A | Ethernet 1000BASE-T/100BASE-TX/10BASE-T RJ-45 connector |
| LINE OUT | Line out (3.5φ PHONE JACK) |
| LINE IN | line input (3.5φ PHONE JACK) |
| FG | Frame ground |
| LAN B (Selection) *2 | Ethernet 1000BASE-T/100BASE-TX/10BASE-T RJ-45 connector |
| Wireless LAN (Selection) | Antenna for Wireless LAN IEEE 802.11 ac/a/b/g/n |

*1 Use this to display two screens

*2 Storage [M.2 SSD 128GB] is unavailable when you select LAN B (wired LAN).