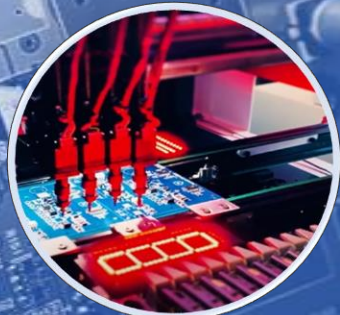


BX-M3010

Intel® 8th Gen Core™ Whiskey Lake –U Platform Processor



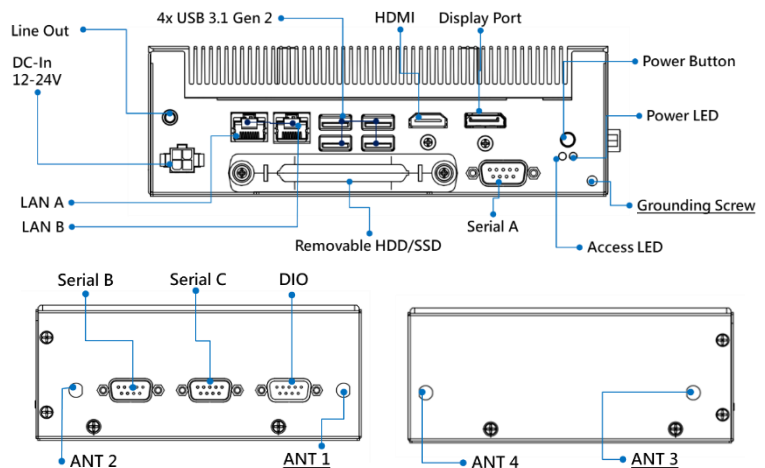
 CONTEC



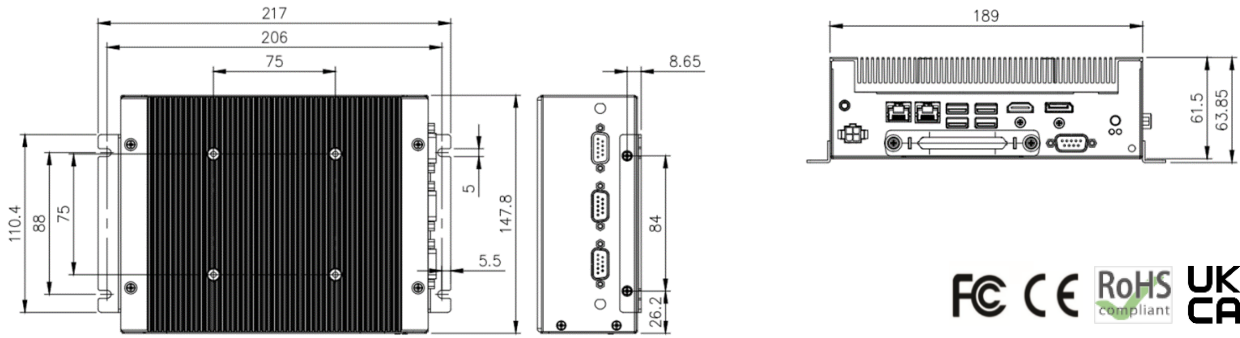
Features

- Intel® 8th Generation Core™ i5-8365UE or Celeron® 4305UE Processor (Whiskey Lake-U)
- 1 x DDR4-2400 Non-ECC SO-DIMM, up to 16 GB Supported
- Dual Giga LAN with intel LAN controller
- 1 x Full-sized Mini PCIe, 1 x M.2 Key M 2242/2280 , 1 x M.2 Key E 2230 and 1 x 2.5" removable drive bay
- HDMI, DisplayPort, on rear I/O
- TPM2.0 on board with BitLocker Function support

Ease of Maintenance: Without the need for fans, fanless box computers are easier to maintain, and there is less risk of failure from dust and debris buildup. provide a cost-effective solution for industrial and factory automation applications.



Mechanical Dimensions



Specifications

MODEL NAME	BX-M3010-G204	BX-M3010-G504
PROCESSOR	8th Intel® Celeron® 4305UE	8th Intel® Core™ i5-8365UE
CHIPSET	SoC (System on chipset)	
BIOS	AMI UEFI BIOS	
MEMORY	1 x 260-pin SO-DIMM, single-channel DDR4-2400MHz, up to 16GB	
STORAGE I/F	1 x 2.5" removable drive bay	
DISPLAY INTERFACE	Controller: Intel® UHD graphics 610 or 620 (by CPU SKU) 1 x HDMI (up to 4096 x 2160 @ 30/24Hz) 1 x Display Port (up to 4096 x 2304 @ 60Hz)	
EXPANSION INTERFACE	1 x M.2 Key M 2242/2280 for storage 1 x Full-sized Mini PCIe for LTE nano-SIM holder (PCIe + SATA Signal) 1 x M.2 Key E 2230 for wireless LAN	
WATCHDOG TIMER	Software programmable, 1 sec ~ 255 sec	
HARDWARE MONITORING	System monitor (Voltage , Fan Speed and Temperature)	
AUDIO	Line-out Ø3.5 Audio Jack(Front I/O), Audio amplifiers 2.65W-4ohm	
ETHERNET	Dual RJ45 connector on Front I/O 2 x 10/100/1000Mbps Ethernet port Controller: 1 x Intel i219LM + 1 x Intel i210AT	
SERIAL PORT	1 x RS-232/422/485 (Front I/O) 2 x RS-232 ports (Side I/O)	
USB PORT	4 x USB 3.1 (Front I/O) 2 x USB 2.0 (Internal PIN HDR)	
GPIO	4-bit GPIO by D-SUB 9P (Side I/O)	
POWER MANAGEMENT	Power On by Ring/ Wake on LAN function (setting from BIOS)	
MOUNTING	Wall / VESA Mount	
DIMENSIONS & WEIGHT	189 (L) x 147.8 (W) x 61.5(D) mm , 1.6 kg	
POWER SUPPLY	12-24 VDC (±10%) ; ATX /AT Mode by jumper setting	
ENVIRONMENT	Operation Temperature: 0 to 60°C (with 0.7m/s airflow) Storage Temperature: -10 to 60°C Humidity: 10 to 90% non-condensing	
OS DRIVER SUPPORT	Windows® 10 IoT Enterprise LTSC 2019 64 bit	
CERTIFICATE	CE / FCC / UKCA , RoHS2.0	

Ordering Guide

- BX-M3010-G204 Intel® Whiskey Lake-U Celeron® 4305UE Processor, 8GB DDR4 SDRAM
- BX-M3010-G504 Intel® Whiskey Lake-U Core™ i5-8365UE Processor, 8GB DDR4 SDRAM

Option thermal kit

- Mini-PCIe Module
- M.2 Key M 2242 Module
- M.2 Key E 2230 Module
- M.2 Key M 2280 Module