

# BX-S959SD

Embedded Fan-less System with Intel® Atom™ E3845

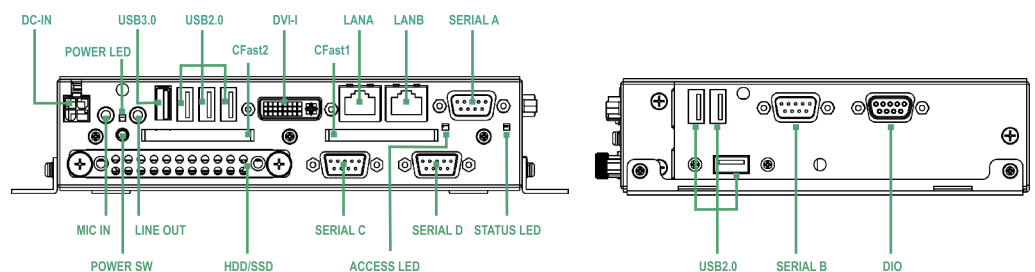


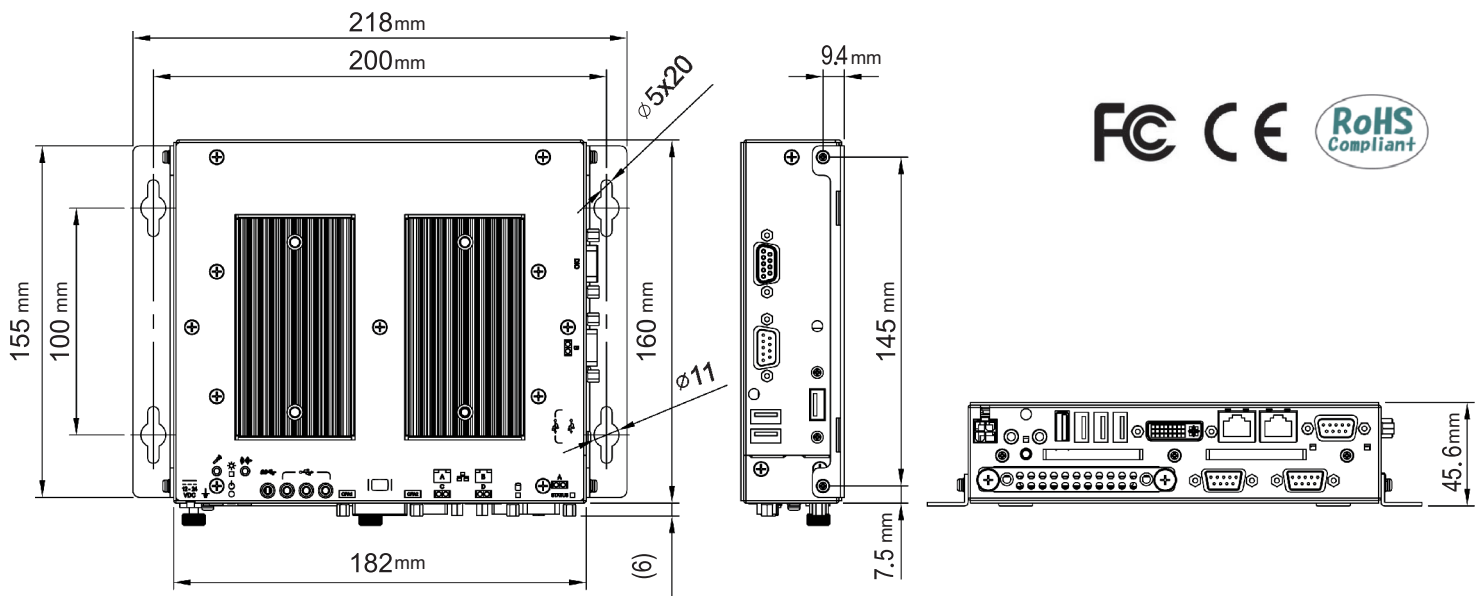
## Features

- Intel® Baytrail SoC base platform
- Silent fanless design with high airtight chassis
- A5 Small design and cost effective
- Dual LAN, 4x COM, 7x USB, 1x DIO and other rich expansion interface
- Easy replacement of the storage device 2.5-inch SATA drive bay
- Supports 2x CFAST at BIOS selectable

## Optional Configuration

- 1x 2.5" HDD SATA3
- 1x 2.5" SSD SATA3
- 1 or 2 x CFAST Card
- AC adapter 19V/65W
- OS Win 7/8.1/10 (32/64-bit)





## Specifications

<b>System</b>	<b>CPU</b>	Intel® Atom™ E3845 1.91GHz Quad Core
	<b>Chipset</b>	Intel® Baytrail SoC
	<b>BIOS</b>	AMI SPI BIOS
	<b>Memory</b>	One 204Pin SO-DIMM socket support DDR3L 1333 up to 8GB/ECC
	<b>Graphic</b>	Integrated Intel® HD Graphics Controller
	<b>LAN Chipset</b>	2x Intel® I210IT GbE Controller
	<b>Watchdog timer</b>	255-level
	<b>Expansion</b>	NA
<b>External I/O</b>	<b>Display</b>	1x DVI-I
	<b>LAN</b>	2x RJ-45 ports for GbE
	<b>Audio</b>	1x Line-out, 1x Mic-in (Realtek ALC892 HD)
	<b>Serial Port</b>	3x RS-232C, 1x RS-232C/422/485
	<b>DIO Port</b>	Programmable 6-bit digital I/O
	<b>USB Port</b>	6x USB2.0, 1x USB3.0
<b>Storage</b>	<b>Type</b>	1x 2.5" drive bay for SATA HDD/SSD (Standard) 2x CFast (at BIOS selectable)
<b>Power supply</b>	<b>DC input</b>	12~24VDC
	<b>AC input</b>	N/A
<b>Environment</b>	<b>Operating Temperature</b>	0 ~ 40°C (w/ HDD) 0 ~ 50°C (w/ wide temperature HDD/SSD)
	<b>Storage Temperature</b>	-10 ~ 60°C
	<b>Storage Humidity</b>	10 ~ 90%RH, non-condensing
<b>Mechanical</b>	<b>Dimension (WxDxH)</b>	182 x 160 x 45.6 mm
	<b>Weight</b>	1.6 kg
	<b>Mounting</b>	Wall mount
<b>OS support</b>	Windows 7/8.1/10 (32/64-bit) English	

## Ordering Guide

- BX-S959SD-DC7000 BOX PC w/ Atom™ E3845, 4GB DDR3L memory
- BX-S959SDF2-DC7000 BOX PC w/ Atom™ E3845, 4GB DDR3L memory, support 2x CFast