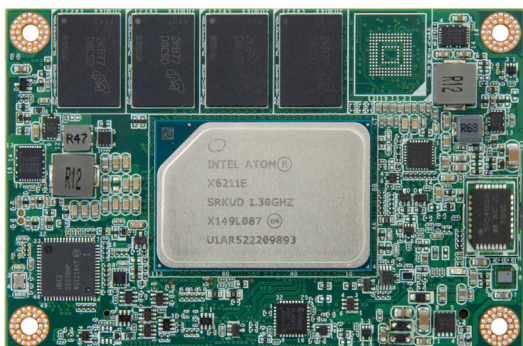


EmNANO-i2800

Intel Elkhart Lake Atom® Mini COM Express® Type 10 CPU Module

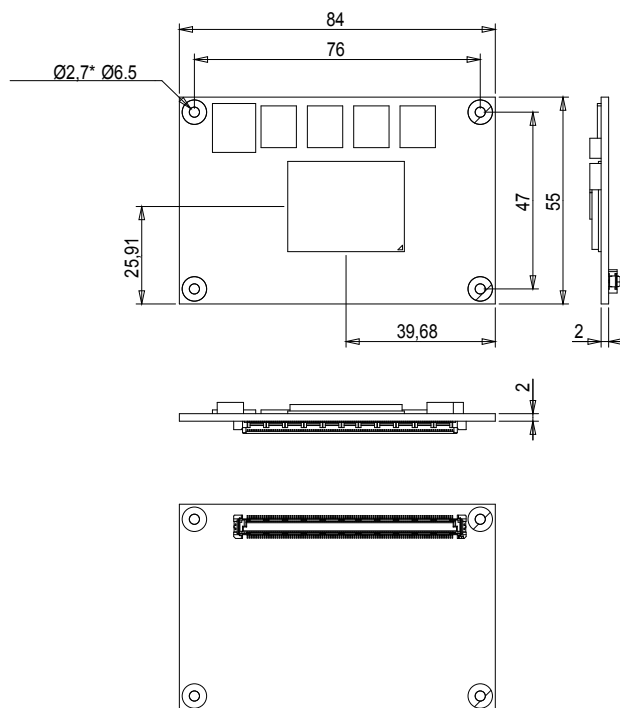


Features

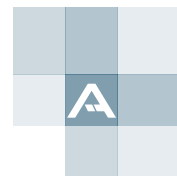
- Soldered onboard Intel Elkhart lake SoC Processor
- Soldered on board LPDDR4 SDRAM
- Intel Gigabit Ethernet controller
- Single Channel 24-bit LVDS and 1 x DDI port
- Support Intel® Time Coordinated Computing (Intel® TCC) for Intel® Edge Controls for Industrial (only Atom X****RE / X****FE processors)

System	
CPU	Soldered onboard Intel® Atom® x6211E 1.3GHz Dual cores TDP 6W Atom® x6413E 1.5GHz Quad cores TDP 9W
Memory	Soldered onboard LPDDR4 3200MT/s 4GB / 8GB SDRAM
BIOS	AMI UEFI BIOS
TPM	TPM2.0
I/O	
USB Port	8 x USB 2.0 ports 2 x USB 3.2 ports
Serial Port	2 x UART
Expansion Bus	4 x PCIe1, LPC, I2C, SMBus, SDIO
Storage	2 x SATA 3.0 ports Soldered onboard eMMC 5.1 (OEM Request)
Ethernet Chipset	1 x Intel® i210 Series Gigabit Ethernet controller
Audio	HD audio link
Display	
Graphic Chipset	Intergrated in Intel® Gen10 UHD graphic
Graphic Interface	LCD: Single Channel 24-bit via eDP to LVDS NXP PTN3460 1 x DDI port
OS support	
Windows 10 64-bit	
Linux: Ubuntu	

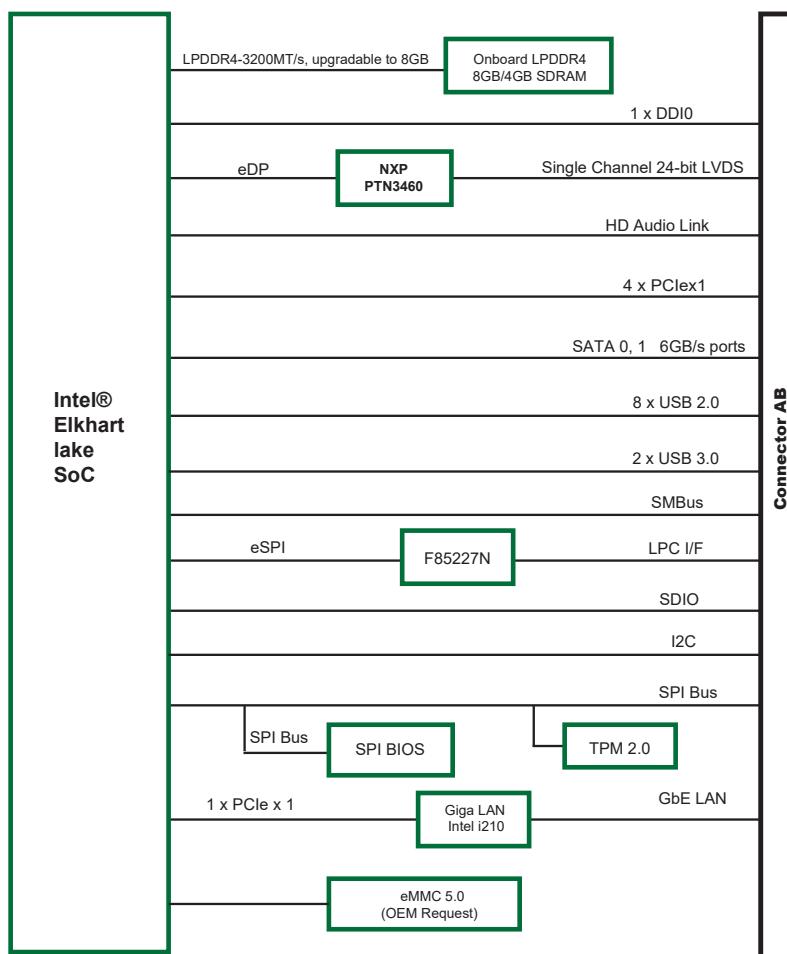
Mechanical & Environmental	
Power Requirement	5V/12V Auto detect
Power Consumption	TBD
Operating Temp.	-40°C ~ 85°C (-40 ~ 185°F)
Operating Humidity	10 ~ 95% @ 85°C (non-condensing)
Dimensions (L x W)	84 x 55 mm (3.3" x 2.17")
Dimensions	



Unit : mm



Block Diagram



Ordering Information

EmNANO-i2800-WT-x6211E-4G	Mini COM Express Type 10 Intel Elkhart Lake ATOM x6211E CPU Module w/4G memory down, -40~85°C
EmNANO-i2800-WT-x6413E-8G	Mini COM Express Type 10 Intel Elkhart Lake ATOM x6413E CPU Module w/8G memory down, -40~85°C
EmNANO-i2800-WT-x6425RE-4G-E64G (OEM)	Mini COM Express Type 10 Intel Elkhart Lake ATOM x6425RE CPU Module w/4G memory down, 64GB eMMC, -40~85°C
HS-2800-F1-T	Heat spreader with threaded standoffs
HS-2800-F1-NT	Heat spreader without threaded standoffs
PBN-9007	COM Express Mini evaluation carrier board (EPIC form factor)

Cable kit:

CBK-05-9007-00	1 x USB cable
	1 x serial port cable
	1 x SATA cable
	1 x SATA power cable
	1 x PS/2 cable