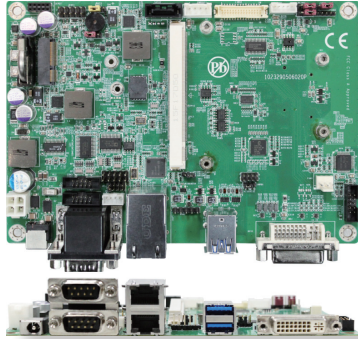


# PBQ-900L

Qseven® R2.0 carrier board in EPIC Form Factor



## Features

- Qseven® Carrier Board
- Dual Gigabit Ethernet Ports
- Dual Channels 24-bit LVDS
- **Wide Range Operating Temp.: -40 ~ 85°C**

## I/O

Super IO Chipset	Fintek F81866D-I
Serial Port	4 x COM Ports(3 x RS-232 ports,1 x RS-232/422/485 selectable port) 1 x UART port
USB 2.0	1 x USB 2.0 port
USB 3.0	2 x USB 3.0 Super Speed ports depending on CPU module
Expansion	1 x SMBus port 1 x I2C port 1 x NGFF (M.2) socket for Skt1-E for wireless
Storage	1 x SATA connector 1 x NGFF (M.2) socket for Skt1-M to support SATA depending on SSD module
Ethernet	1 x Intel® i210IT PCIe GbE controller 1 x GbE by Qseven™ CPU Module
SDIO	1 x SD card socket
Digital I/O	8-bit Programmable Digital Input/Output
Audio	Realtek ALC662 HD Audio CODEC, MIC/Line out
<b>Display</b>	
Graphic Interface	1 x DVI connector LCD: 1 x Dual Channels 24-bit LVDS connector

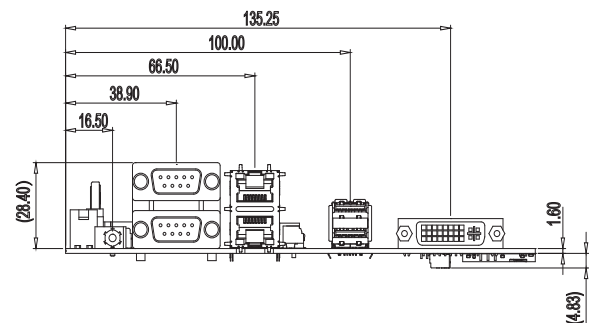
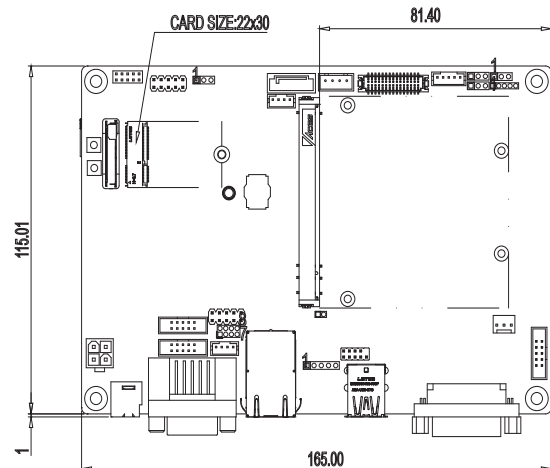
## OS Support

Depends on CPU Module

## Mechanical & Environmental

Power Requirement	Wide range DC input:10V~30V
Power Consumption	0.88A@12V w/EmQ-i2200(Typical)
Operating Temp.	-40 ~ 85°C (-40 ~ 185°F)
Operating Humidity	0 ~ 95% @ 85°C (non-condensing)
Dimensions (L x W)	165 x 115 mm (6.5" x 4.5")

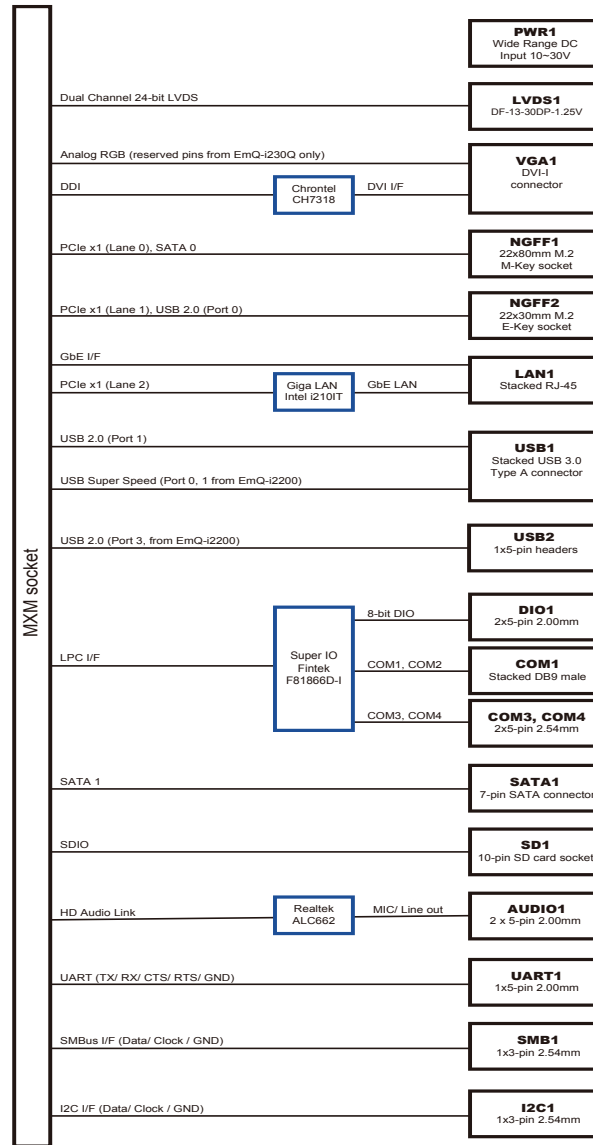
## Dimensions



Unit:mm

## Block Diagram

PBQ-900L Q7 R2.0  
165 x 115mm EPIC FF Carrier board



## Ordering Information

PBQ-900L Qseven® R2.0 carrier board in EPIC Form Factor

## Optional Accessories

CBK-06-900L-00  
Cable Kit  
1 x USB cable  
2 x COM cables  
1 x SATA cable  
1 x SATA power cable  
1 x AUDIO cable