

Product Specification

Number: RNP10-CT4-0805-X-474-K-50

Name: Ceramic Capacitors

Specification: _____

Customer: _____

Date: 2024-05-17

Customer Signature:



Compile	Check	Review	Approval
Jenny	Jack.C		

特点 Feature

*体积小，容量大，适合自动安装的卷（编）带包装。

Miniature size, large capacitance, tape and reel packaging suitable for auto-placement

*环氧树脂封装，从而具有优良的防潮性能、机械强度及耐热性。

Epoxy resin coating creates excellent performance in humidity resistance, mechanical strength and heat resistance

*工业生产标准尺寸及多种脚型产品。

Standard size, various lead configuration

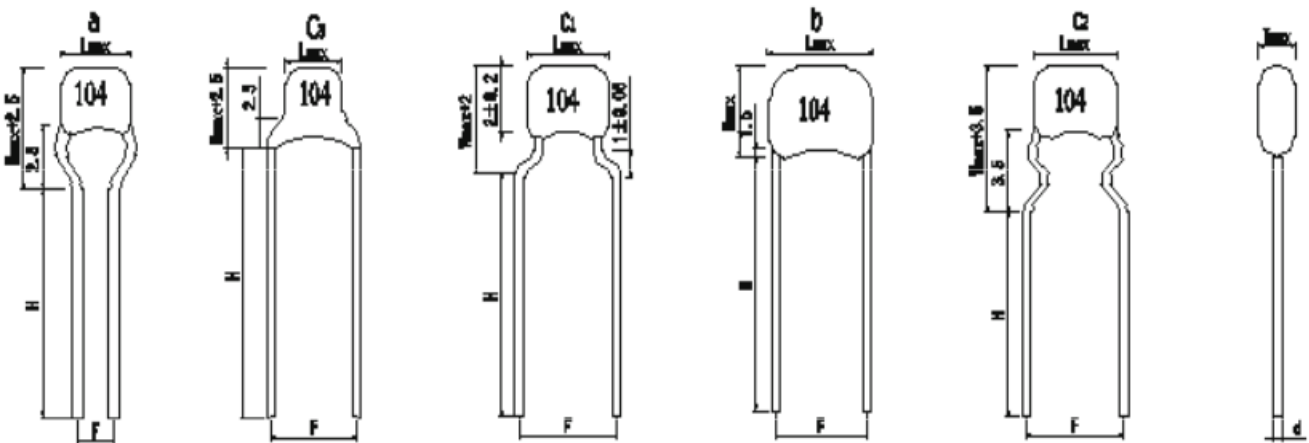
介质种类 Dielectric Type	I类介质 Class I	II类介质 Class II		
介质材料 Dielectric Material	温度补偿型 Temperature Compensating	X7R(B)	Z5U(E)	Y5V(Y/F)
电气性能 Electrical Properties	电气性能最稳定，几乎不随温度、电压和时间的变化而变化。 The electrical properties is the most stable one and has little change with temperature, voltage and time.	具有较高的介电常数，容量可做到比I类电容器高，具有稳定的温度特性。 X7R material has high dielectric constant, and its capacitance is higher than class I. These capacitors are classified as having a semi-stable T.C..	温度特性介于X7R和Y5V之间，容量稳定性相对较差，对温度、电压等条件较敏感。 Temperature characteristic is between that of X7R and Y5V. The capacitance is unstable and sensible to temperature and voltage.	介电常数最大，但温度特性较差，对温度、电压等条件较敏感。 Y5V material has highest dielectric constant. Its capacitance and dissipation is sensible to temperature and voltage.
应用 Application	适用于低损耗，稳定性要求高的高频电路，如滤波器、振荡器和计时电路等。 Used in applications where low-losses and high-stability are required, such as filters, oscillators, and timing circuits so on.	适用于容量范围广，稳定性要求不高的电路中，如隔直、耦合、旁路及鉴频等电路中。 Used over a wide temperature range, such in these kinds of circuits, DC-blocking, coupling, bypassing, frequency discriminating etc.	适用于要求大容量，使用温度范围接近于室温的旁路、耦合等，及低直流偏压电路中。 Ideally suited for bypassing and coupling application circuits operating with low DC bias in the environment approaching to room temperature.	适用于要求大容量，温度变化不大的电路中 Used over a moderate temperature range in application where high capacitance is required.
容量范围 Available capacitance range	0.5pF~0.1uF	100pF~22uF	1nF~10uF	

- 尺寸、工作电压及容量关系表
Size Code and Voltage VS Capacitance

尺寸规格 Size Code	外形 Shape	尺寸 (单位: mm) Dimensions (Unit: mm)					工作电压 Voltage	标称容量范围 Available Capacitance Range		
		F ±0.5	H ±1	L max	W max	T max		C0G (NP0)	X7R	Y5V/ Z5U
1206	C1	5.08	15/25	5.05	3.8	3.80	202V			
0805	C1	5.08	10	3.8	3.5	3.5	100V	10PF--- 1000PF	101K— 105K	

- CP线径=0.5MM +/-0.05

- 其它规格可直接和我们联系。
- Others are available, contact KLS.



通用型引线MLCC可靠性及测试方法

Reliability and Test Method for General Leaded MLCC

项目 Item	技术要求 Technical Specification		测试方法和备注 Test Method and Remarks			
容量 Capacitance (C)	I类 Class I	应符合指定的误差级别 within the specified tolerance.	标称容量 Capacitance	测试频率 Measuring Frequency	测试电压 Measuring Voltage	
			≤1000pF	1MHZ±10%	1.0±0.2V	
			>1000 pF	1KHZ±10%		
	II类 Class II	应符合指定的误差级别 within the specified tolerance.	对于II类电容器, 测试前应先预处理 The capacitance should be pretreated before measured(only for class II).			
			测试频率 Measuring Frequency	测试电压 Measuring Voltage		
1KHZ±10%	B: 1.0±0.2V	E/ F(Y) 0.3±0.2V				
损耗角正切 Dissipation Factor (DF)	I类 Class I	$C_R \geq 50\text{pF}$ $DF \leq 0.15\%$ $C_R < 50\text{pF}$ $DF \leq 1.5[(150/C_R)+7] \times 10^{-4}$	标称容量 Capacitance	测试频率 Measuring Frequency	测试电压 Measuring Voltage	
			≤1000pF	1MHZ±10%	1.0±0.2V	
			>1000 pF	1KHZ±10%		
	II类 Class II	B	DF ≤3.5%	测试频率: 1KHZ±10%; Measuring Frequency: 1KHZ±10% 测试电压: 1.0±0.2V Measuring Voltage: 1KHZ±10%		
		E Y/ F	$\leq 7.5\%$ ($C_R \leq 0.1\mu\text{F}$) $\leq 10.0\%$ $(1\mu\text{F} > C_R > 0.1\mu\text{F})$ $\leq 15\%$ ($C_R \geq 1\mu\text{F}$)	测试频率: 1KHZ±10% Measuring Frequency: 1KHZ±10% 测试电压: 0.3±0.2V Measuring Voltage: 0.3±0.2V		
绝缘电阻 Insulation Resistance	I类 Class I	$C \leq 10\text{nF}$ $IR \geq 10000\text{M}\Omega$ $C > 10\text{nF}$ $R.C \geq 100 \Omega\text{F}$	测试电压: 额定电压 Measuring Voltage: Rated Voltage 测试时间: 60±5秒 Duration: 60±5s			
	II类 Class II	$C \leq 25\text{nF}$ $IR \geq 4000\text{M}\Omega$ $C > 25\text{nF}$ $R.C \geq 100 \Omega\text{F}$				

项目 Item	技术要求 Technical Specification	测试方法和备注 Test Method and Remarks	
耐电压 Withstand- ing Voltage	不应有介质被击穿或损伤 No breakdown or damage.	端子间Between terminals: 测试电压 Measuring Voltage : I类:300%额定电压 Class I :300% Rated voltage II类:250%额定电压 Class II :250% Rated voltage 充/放电电流不应超过50mA The charge/ discharge current is less than 50mA. 持续时间: 5 ± 1秒 Duration: 5 ± 1s	
		端子与外装间Between terminals and body: 施加电压: 2.5U _R 持续时间: 1~5s Voltage: 2.5 times rated voltage Duration: 1~5s 金属制小球法 Small metallic ball method 将电容器本体插入盛满直径为1mm的金属小球的容器中, 但保留距端头2mm的本体不插入。试验电压施加在短路回路端子和金属小球之间。 Small metallic balls with 1mm diameters shall be put in a vessel and the test capacitor shall be submerged except 2mm from the top of its component body and the terminals. The test voltage shall be applied between the short-circuited terminals and the metallic balls.	
可焊性 Solder ability	上锡率应大于75% Lead wire shall be at least 75% covered with a new solder coating.	将电容器引线浸入含有25%松香的酒精溶液中, 然后浸入温度为: 245 ± 2℃的金属焊锡 (Sn-2.5Ag-1Bi-0.5Cu) 中不超过3秒, 注意: 电容器本体底面距离锡面约1.5~2mm, The terminal of capacitor is dipping into a 25% rosin solution of ethanol and then into molten solder (Sn-2.5Ag-1Bi-0.5Cu) of 245 ± 2℃ for less than 3s. In both cases the depth of dipping is up to about 1.5~2mm from the terminal body.	
耐焊接热 Resistance to Soldering Heat	项目 Item	$\Delta C/C \leq$	锡温: 265 ± 3℃ 时间: 6 (+1,0)s Solder temperature: 265 ± 3℃ Duration: 6 (+1,0)s
	Class I	± 2.5% or ± 0.25pF	浸入条件: 将电容器插入厚度为1.6mm, 孔径为1.0mm的PC板。 Immersed conditions: Inserted into the PC board (with t=1.6mm, hole=1.0mm diameter)
	B	± 10%	对于I类介质, 试验后, 应在标准条件下恢复4~24小时后才测试。
	E / Y (F)	± 20%	Recovery: For class I, 4 to 24 hours of recovery under the standard condition after test.
	外观无可见损伤 No significant abnormality in appearance.		对于II类介质, 在试验前应先进行如下预处理: 150(-10,+0)℃, 1小时, 接着在标准条件下恢复48 ± 4小时。 Preconditioning (Class II) : 1 hour of preconditioning at 150(-10,+0)℃, followed by 48 ± 4 hours of recovery under the standard condition. 恢复: 对于II类介质试验后, 应在标准条件下恢复48 ± 4小时后才测试。 Recovery (Class II) : 48 ± 4 hours of recovery under the standard condition after test.

项目 Item	技术要求 Technical Specification	测试方法和备注 Test Method and Remarks			
高温负荷 High Temperature Loading Test	外观无可见损伤 No significant abnormality in appearance.	温度 Temperature			
	容量变化Capacitance Change: I类介质Class I: ≤ ±3% or ±0.3pF 取较大值Whichever is larger. II类介质Class II: B: ≤ ±12.5% E / F(Y): ≤ ±30%	CG (N) /	X7R	Y5V	Z5U
		125(-0,+3)°C		85(-0,+3)°C	
	损耗角正切Dissipation Factor: I类介质: 小于原始值的两倍 Class I: Not more than twice of initial value. II类介质Class II: B: ≤ 5.0% E / F(Y): ≤12.5% (C _R ≤ 0.1uF) ≤15.0%(1uF > C _R > 0.1uF) ≤17.5% (C _R ≥ 1uF)	电压: 1.5倍额定电压 Applied voltage: 1.5 times rated voltage 充放电电流不超过50mA The charge/ discharge current is less than 50mA. 时间: 1000 (-0, +48) 小时 Duration: 1000 (-0, +48) hours 恢复时间: Recovery Time: I类介质: 24 ±2小时, Class I Dielectric: 24 ±2 hours II类介质: 48 ±4小时 Class II Dielectric: 48 ±4 hours			
绝缘电阻Insulation Resistance: ≥ 500MΩ or 25 Ω.F 取较小值Whichever is smaller.					
耐溶剂性 Solvent Resistance	外观无可见损伤或异常,标记清晰。 No defects or abnormalities in appearance and legible marking.	溶剂温度: 23 ±5°C Solvent temperature: 将样品浸在溶剂中1分钟, 用脱脂棉在样品有标志部位刷10次, 重复3次。 put the sample into solvent 1 Min, and then take it out and brush sample's notation area 10 times with pledget , repeat 3 times.			

* 以上所示“标准条件”解释如下:

温度: 5~35°C, 湿度: 45~85%, 气压: 86~106kPa

* Note on standard condition: " standard condition " referred to herein should be defined as follows:

5 to 35°C of temperature, 45 to 75% of relative humidity, and 86 to 106kPa of atmospheric pressure.

若测试结果有争议时, 仲裁试验用标准大气条件为:

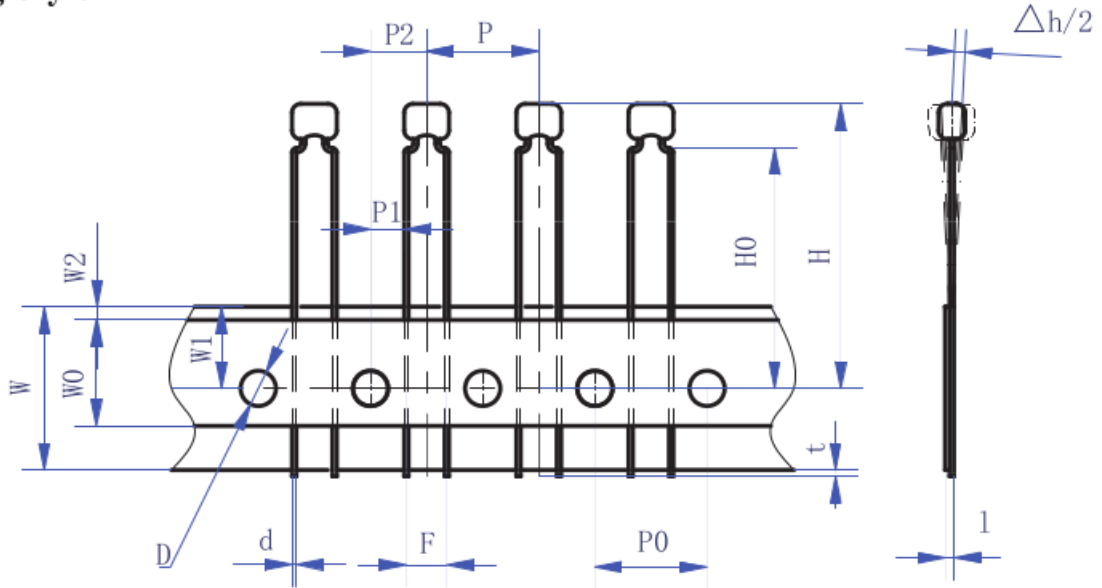
温度: 25 ±1°C, 相对湿度: 48%~52%, 气压: 86~106kPa

* When there are questions concerning measurement results:

In order to provide correlation data, the test should be conducted under a condition of 25 degrees plus/minus 1 centigrade of temperature, 48% through 52% of relative humidity and 86 through 106 kPa of atmospheric pressure.

包装形式

Packaging Style



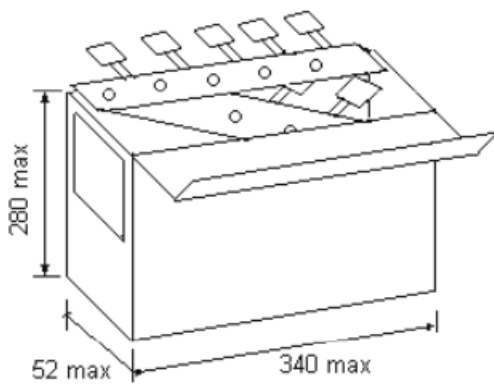
代号 Code	P	P0	P1	P2	d	Δh	W	W0	W1	W2	H	H0	D	t
尺寸 Dim.	12.7	12.7	3.85 5.1	6.35	0.5	0	18.5	12	9	1.5	32.25	15~20	4.0	0.7
误差 Tol.	±0.2	±0.2	0.7	±1.3	±0.1	±2	±1	±1	±0.5	±1.5	Max.	±0.5	±0.2	Max.

注意Note:

P1=3.85mm for F=5.08mm; P1=5.1mm for F=2.54mm.

盒带包装

Ammo Packaging



卷带包装

Tape and Reel Packaging

