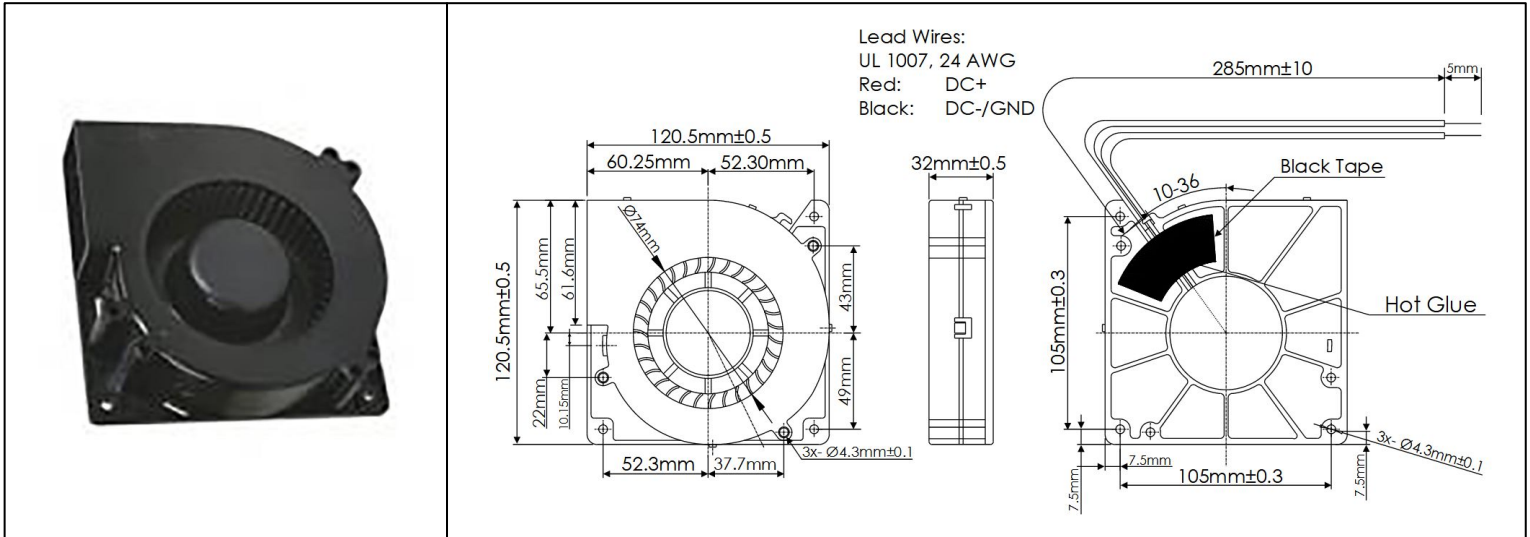


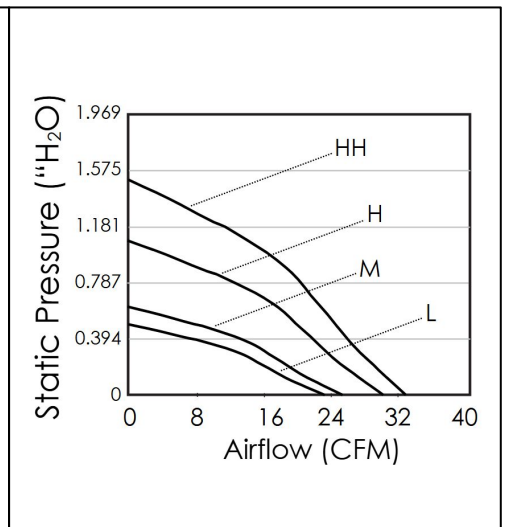
ODB1232 Series



DC Blowers - 12, 24V
120mm x 32mm (4.7" x 1.3")



| | | |
|-----------------------|---|--|
| Frame | PBT, UL94 V-0 Plastic | <u>Operating Temperature</u> -10°C ~ +70°C <u>Storage Temperature</u> -40°C ~ +70°C <u>Life Expectancy</u> 70,000 Hours (L10 at 40°C) <u>Available Options</u> 48V Models PWM Speed Control Input Tachometer Output Alarm Output Weight: 0.55 lbs |
| Impeller | PBT, UL94 V-0 Plastic | |
| Connection | 2x Lead Wires, 24 AWG | |
| Motor | Brushless DC, Auto Cutoff, Auto Restart, Electronically Protected, Polarity Protected | |
| Bearing System | Ball Bearings | |
| Dielectric Strength | 500VDC/min, <1mA | |
| Insulation Resistance | ≥10M Ohm @ 500 VDC | |



| Part Number | Rated Voltage (Volts DC) | Voltage Range (Volts DC) | Rated Power (Amps) | Rated Current (Watts) | Rated Speed (RPM) | Max Airflow (CFM) | Noise Level (dBA) | Max Static Pressure (in H ₂ O) |
|---------------|--------------------------|--------------------------|--------------------|-----------------------|-------------------|-------------------|-------------------|---|
| ODB1232-12HB | 12 | 8 ~ 13.8 | 10.7 | 0.89 | 2600 | 29.6 | 53.4 | 1.0 |
| ODB1232-12MB | 12 | 8 ~ 13.8 | 6.7 | 0.56 | 2300 | 25.8 | 48.1 | 0.6 |
| ODB1232-12LB | 12 | 8 ~ 13.8 | 5.4 | 0.45 | 2100 | 23.7 | 49.8 | 0.5 |
| ODB1232-24HHB | 24 | 14 ~ 26.4 | 17.0 | 0.71 | 3100 | 32.3 | 59.7 | 1.4 |
| ODB1232-24HB | 24 | 14 ~ 26.4 | 11.8 | 0.49 | 2600 | 29.6 | 53.4 | 1.0 |
| ODB1232-24MB | 24 | 14 ~ 26.4 | 9.4 | 0.39 | 2300 | 25.8 | 48.1 | 0.6 |
| ODB1232-24LB | 24 | 14 ~ 26.4 | 7.2 | 0.30 | 2100 | 23.7 | 49.8 | 0.5 |