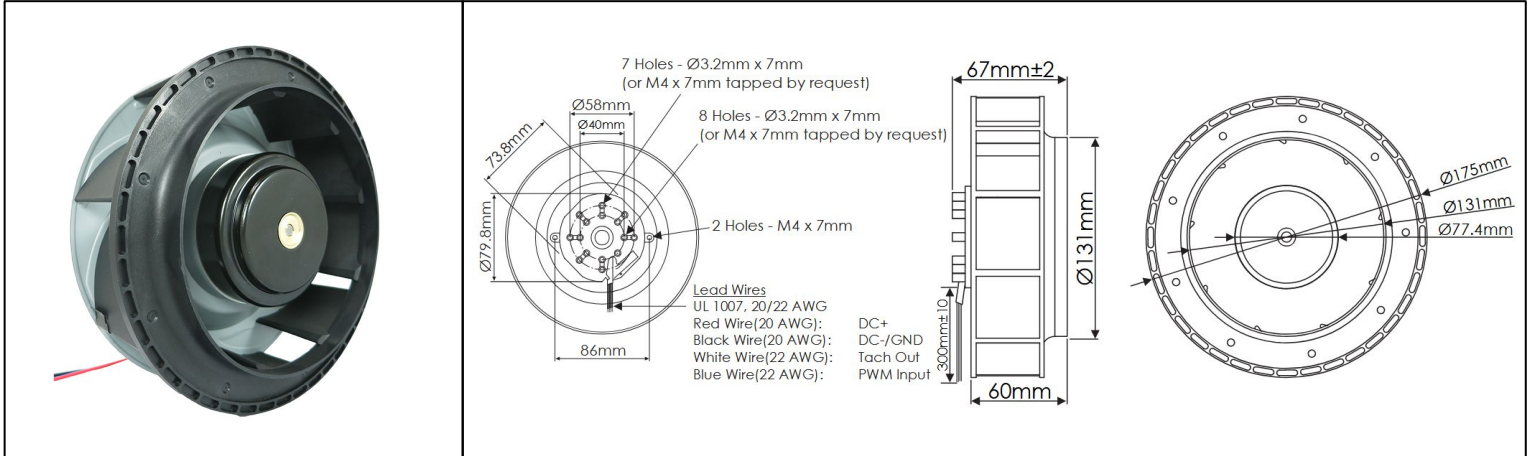


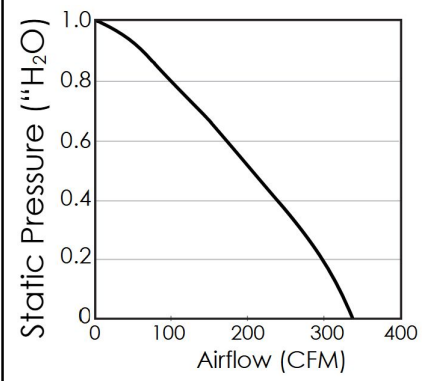
ODB17567 Series with PWM and Tach



DC Centrifugal Fans - 12, 24, 48V
175mm x 67mm (6.9" x 2.6")



Frame	Die Cast Aluminum, Natural Finish	Operating Temperature -20°C ~ +65°C
Impeller	UL94 V-0 PA66 Plastic, SEEC Steel Impeller Base	Storage Temperature -20°C ~ +75°C
Connection	4x Lead Wires, 20/22 AWG	Life Expectancy 90,000 Hours (L10 at 35°C)
Motor	Brushless DC, Auto Cutoff, Auto Restart, Electronically Protected, Polarity Protected	Installed Options PWM Speed Control Input Open Collector Tach Output
Bearing System	Ball Bearings	Available Options Intake Duct Ring P/N: DR1719D Alarm Output
Dielectric Strength	500VDC/min, <1mA	Weight: 3.63 lbs
Insulation Resistance	≥10MΩ @ 500 VDC	



Part Number	Rated Voltage (Volts DC)	Voltage Range (Volts DC)	Input Power (Watts)	Rated Current (Amps)	Rated Speed (RPM)	Max Airflow (CFM)	Noise Level (dBA)	Max Static Pressure (H ₂ O)
ODB17567-12HB10A	12	11 ~ 13.8	51	4.2	3000	337	65	1.07
ODB17567-24HB10A	24	22 ~ 26	51	2.1	3000	337	65	1.07
ODB17567-48HB10A	48	40 ~ 52	53	1.1	3000	337	65	1.07

