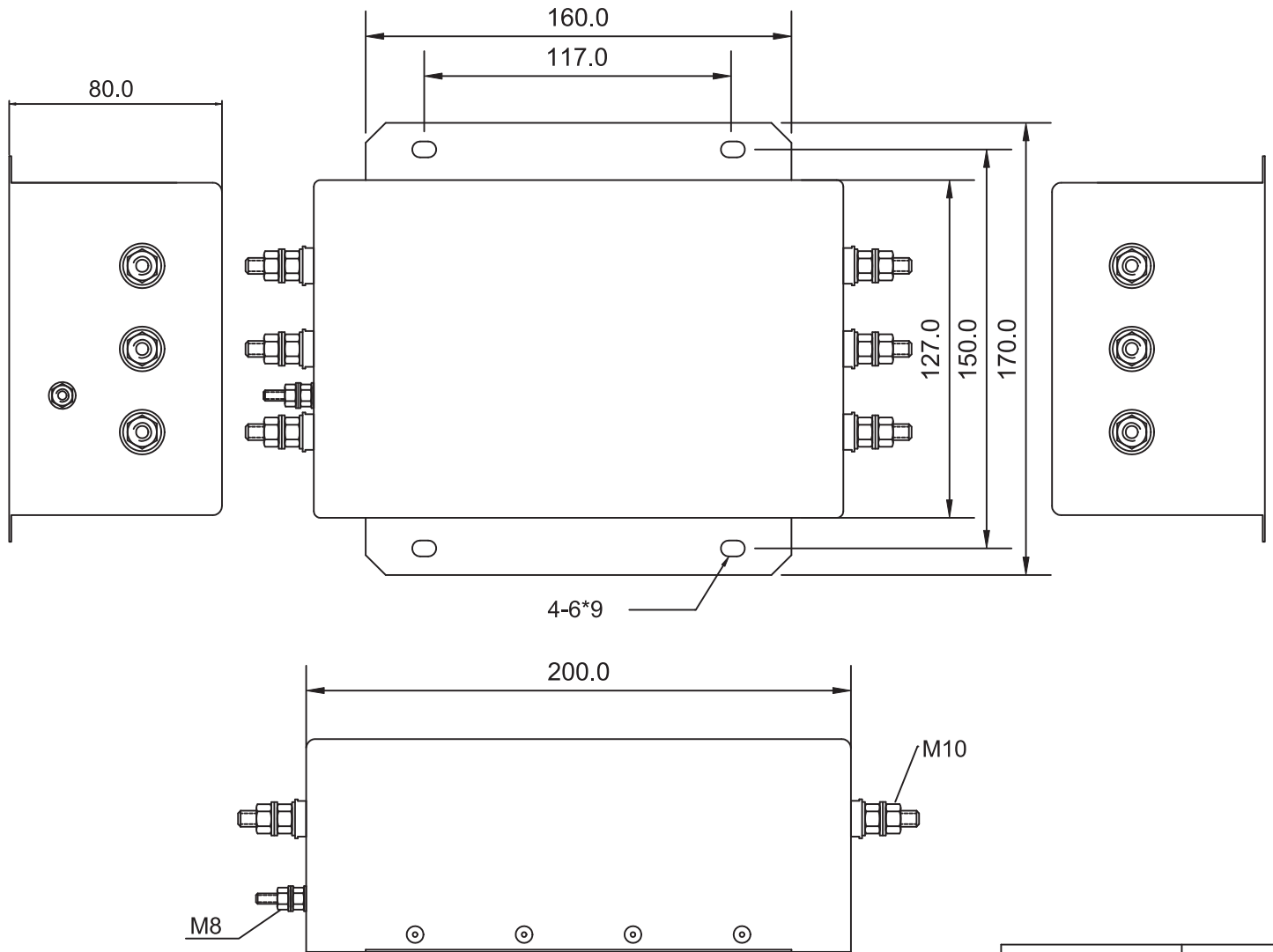


SPECIFICATION FOR APPROVAL

Name:	EMI FILTER	Part No.:	RD2212028F
YBX MODEL:	YX81G4-200A-S	Customer P/N :	

1. PART NUMBER: YX81G4-200A-S

2. PHYSICAL DIMENSIONS:



0 ~ 10	±0.3
10 ~ 100	±0.5
100 ~ 150	±0.8
150 ~ 200	±1.0

Drawing by	Checked by	Approved by	Ordering No.	Unit	Rev.	Dimension Limit	Tolerance
R & D 2022.12.27 Jen sen	R & D 2022.12.28 Y Y C		YX81G4-200A-S	mm		A/0	
2022-12-27							

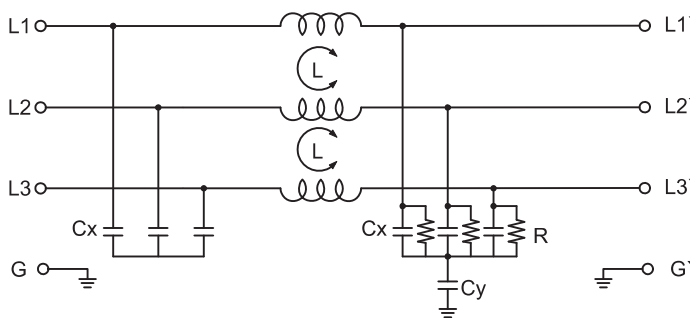
SPECIFICATION FOR APPROVAL

Name:	EMI FILTER	Part No.:	RD2212028F
YBX MODEL:	YX81G4-200A-S	Customer P/N :	

3. CHARACTERISTICS:

- (1) VOLTAGE RATING.....300/520VAC
- (2) CURRENT RATING:
 - A. @ 300VAC.....300A RMS Max.
 - B. @ 520VAC.....300A RMS Max.
- (3) OPERATING FREQUENCY: 50/60Hz
- (4) LEAKAGE CURRENT: EACH LINE TO GROUND
 - A. @ 300VAC/60Hz.....3.7mA Max.
 - B. @ 520VAC/50Hz.....5.7mA Max.
- (5) HIPOT RATING(FOR ONE MINUTE)
 - A. LINE TO GROUND.....2250VDC
 - B. LINE TO LINE.....1450VDC
- (6) IR: 50M ohm AT 500VDC ANY INPUT OR OUTPUT TO GROUND
- (7) TEMPERATURE RANGE: -25°C~+85°C

4. ELECTRICAL SCHEMATIC:

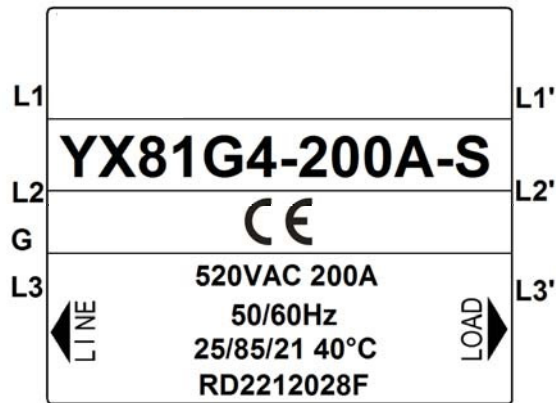


Drawing by	Checked by	Approved by	Ordering No.	Unit	Rev.	A/0
<div style="border: 1px solid red; border-radius: 50%; padding: 5px; width: 60px; margin: 0 auto;"> R & D 2022.12.27 Jen sen </div>	<div style="border: 1px solid red; border-radius: 50%; padding: 5px; width: 60px; margin: 0 auto;"> R & D 2022.12.28 Y Y C </div>		YX81G4-200A-S	mm	2022-12-27	

SPECIFICATION FOR APPROVAL

Name:	EMI FILTER	Part No.:	RD2212028F
YBX MODEL:	YX81G4-200A-S	Customer P/N :	

5.Label:



<i>Drawing by</i>	<i>Checked by</i>	<i>Approved by</i>	Ordering No.	Unit	Rev.	A/0
R & D 2022.12.27 Jen sen	R & D 2022.12.28 Y Y C		YX81G4-200A-S	mm	2022-12-27	