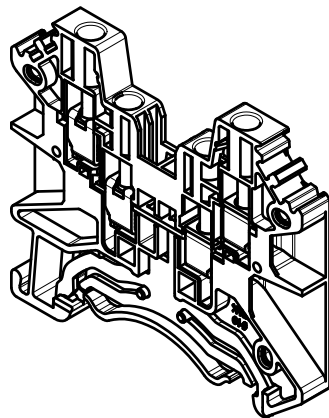
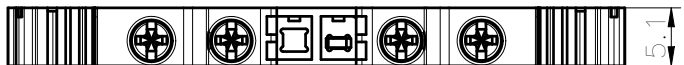


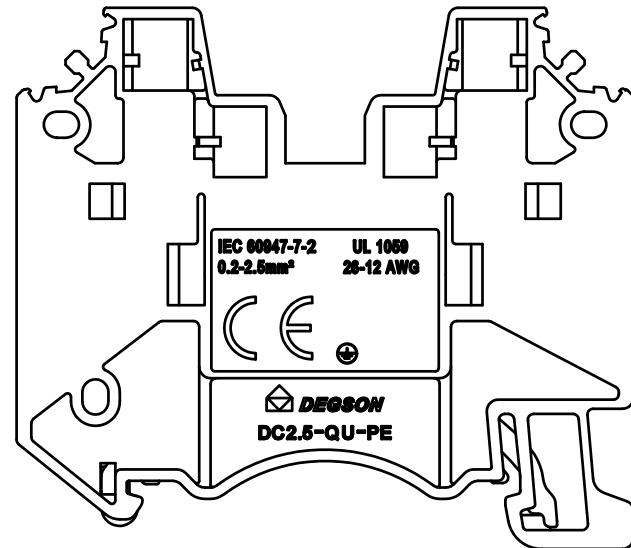
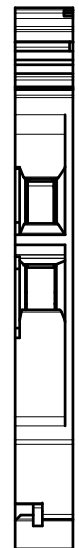
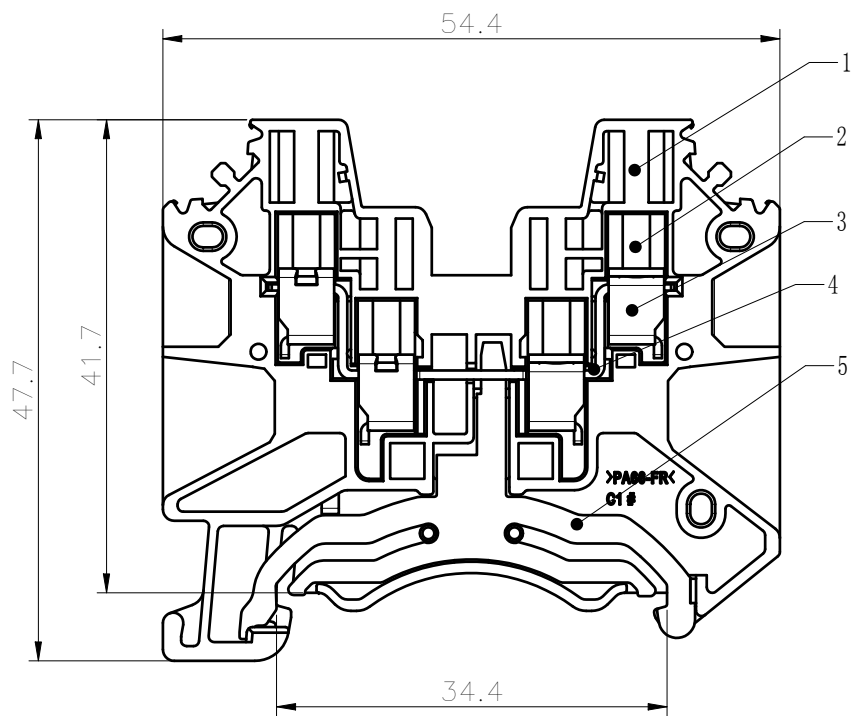
Transfer or duplication of this document as well as the utilization or communication of its contents for purposes not intended by DEGSON is prohibited. All rights reserved for patent, utility model or designs registrations. 非经书面明确授权，否则禁止转让、复制、利用、交加本文件的内容。一经发现侵权必究，保留对侵权行为的追究权利。



未注公差/General tolerances(mm)											D 0.1/10		
0 ~ 3	>3 ~ 6	>6 ~ 10	>10 ~ 18	>18 ~ 30	>30 ~ 50	>50 ~ 80	>80 ~ 120	>120 ~ 180	>180 ~ 250	>250 ~ 315		>315 ~ 400	>400 ~ 500
±0.12	±0.18	±0.22	±0.26	±0.31	±0.37	±0.57	±0.80	±0.93	±1.05	±1.15	±1.60	±2.20	±2.50

UL 标准/UL Standard:	B	C	D
额定电压/电流/Rated Voltage(V)/Current(A)	/	/	/
IEC 标准/IEC Standard:			
过压类别/Overvoltage Category/污染等级/Pollution Degree	III/3	III/2	II/2
额定电压/电流/Rated Voltage(V)/Current(A)	/	/	/
额定脉冲电压(KV)/Rate Impulse Voltage(KV)	6	/	/
螺丝扭矩/Torque Tightening(N·m/Lb.in)	M2.5: 0.4/3.54		
线径范围(硬线和软线)/Wire Range(rigid and flexible)(AWG/mm <sup>2</sup> )	26~12 / 0.2~2.5, 4 (sol)		
间距/Pitch(mm)/线数范围/Poles	5.1/N=01P		
剥线长度/Stripping length(mm)	9~10		
使用温度范围/Operating temperature(°C)	-40~+105		
符合 RoHS 环保要求/Conform to RoHS	Yes		
标准颜色编号/Standard color number: PANTONE / RAL	/ /		

ITEM	NAME OF PART	MATERIAL	NOTES
5	Grounding	Copper alloy	Sn Plated
4	Current carrier	Copper	Sn Plated
3	Cage	Steel	M2.5/Zn Plated
2	Screw	Steel	M2.5/Zn Plated
1	Housing	PA66	UL94V-0



			MATERIAL: /	SURFACE/COLOR: /
			MAT NO./REV: /	MAT STATUS: /
APPD: PengM	2022.08.17	NAME	DC2.5-QU-PE-01P-1C-00A(H)	
CHKD: GaoWG	2022.08.17	DRAWING NO.	TYPE	DRAWING STATUS
DRFT: XieXD	2022.08.17	/	CUSTOMER DRAWING	/
REV	ECN	DESCRIPTION	SCALE	SHEET
00	/	/	2:1	1/1

00	/	/	XieXD	2022.08.17
REV	ECN	DESCRIPTION	DRFT	DATE