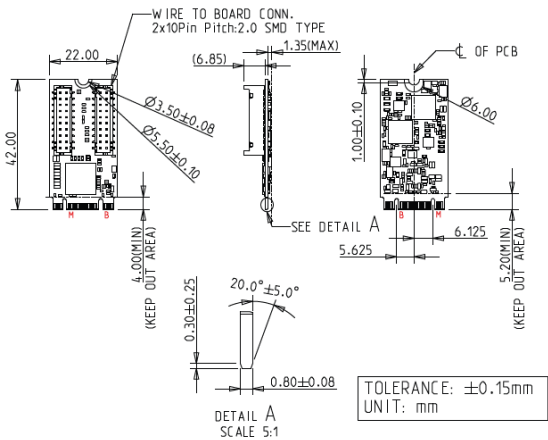


### Features

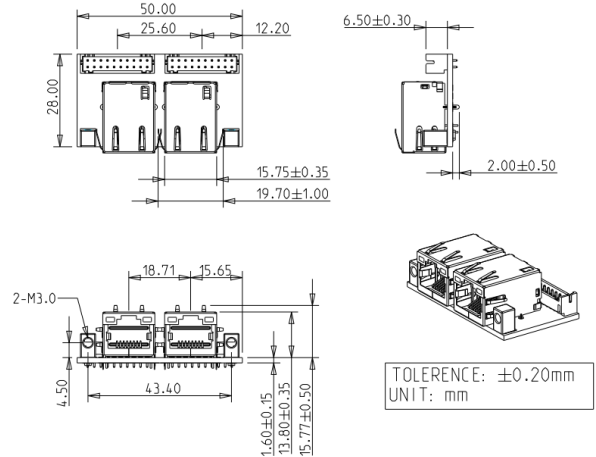
- Dual isolated 2.5GbE LAN ports
- Complies with EN61000-4-5 2kV surge protection
- Complies with IEC 60950-1:2005 + A1: 2009 + A2:2013 2kV HiPOT protection
- Complies with EN61000-4-2 (ESD) Air-15kV, Contact-8kV
- Flexible daughter board with cable to fit into different system
- Industrial temperature -40 °C to 85 °C
- Industrial design, manufactured in Innodisk Taiwan

### Mechanical Drawing

#### Main Board



#### Daughter Board



### Specifications

Form-Factor	M.2 2242 B-M
Input I/F	PCI Express 2.1 x 2
Output I/F	Dual 2.5GbE LAN
Output Connector	RJ45 x 2
Power Consumption	MAX: 3.098W (3.3V, 939mA)
Dimension (WxLxH)	Main board: 22 x 42 x 9.01 mm Daughter board: 50 x 28 x 19.37mm
Temperature	Operation: STD: 0°C ~ +70°C. W/T: -40°C ~ +85°C Storage: -55°C ~ +95°C
Environment	Vibration: 5G @7~2000Hz, Shock: 50G @ 0.5ms
Notes	Please download driver from Intel official website. Windows: 10 (64bit), Linux (igc): kernel 5.x version
Limitations	*Linux upstream kernel release – from 5.16.18 *Not recommend used in VMware ESXi due to High Latency *Not support Intel vPro

#### Headquarters (Taiwan)

5F., No.237, Sec. 1, Datong Rd.,  
Xizhi Dist., New Taipei City 221,  
Taiwan

Tel: +886-2-7703-3000  
Email: sales@innodisk.com

#### Branch Offices:

##### USA

usasales@innodisk.com  
+1-510-770-9421

##### Europe

eusales@innodisk.com  
+31-40-3045-400

##### Japan

jpsales@innodisk.com  
+81-3-6667-0161

##### China

sales\_cn@innodisk.com  
+86-755-21673689

#### www.innodisk.com

© 2023 Innodisk Corporation.  
All right reserved. Specifications  
are subject to change without  
prior notice.

April 7, 2023

### Order information

**EGPL-22S2-C1 (Mounting hole, Standard Temp.)**

**EGPL-22S2-W1 (Mounting hole, Wide Temp.)**

M.2 2242 to Dual Isolated 2.5GbE LAN Module