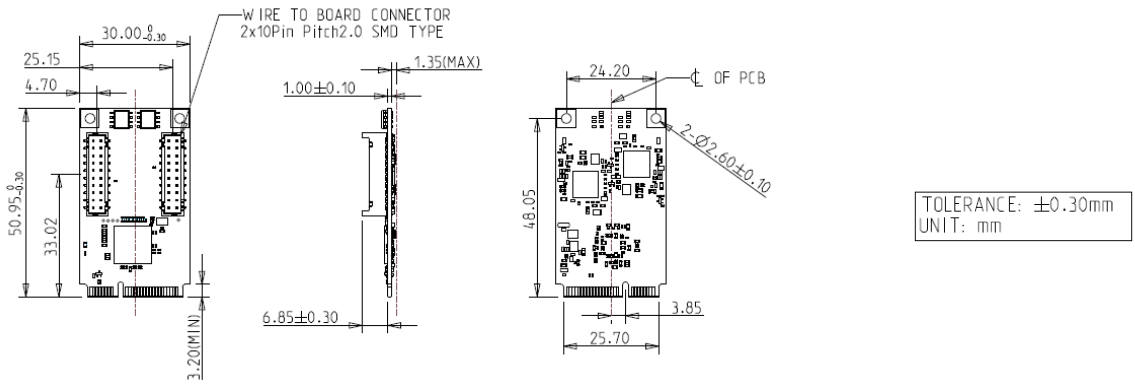


Features

- Dual isolated 2.5GbE LAN ports
- Complies with EN61000-4-5 2kV Surge protection
- Complies with IEC 60950-1:2005 + A1: 2009 + A2:2013 2kV HiPOT protection
- Complies with EN61000-4-2 (ESD) Air-15kV, Contact-8kV
- Flexible daughter board with cable to fit into different system
- Optional terminal mounting hole or bracket for daughter board
- Optional Industrial Temperature (-40°C to +85°C) support
- 30μ " golden finger, 3-year warranty
- Industrial design, manufactured in innodisk Taiwan

Mechanical Drawing



Specifications

| | |
|-------------------|---|
| Form-Factor | mPCIe |
| Input I/F | PCI Express 2.1 x 1 |
| Output I/F | Dual 2.5GbE LAN |
| Output Connector | RJ45 x 2 |
| Power Consumption | MAX: 3.016W (3.3V, 914.6mA) |
| Dimension (WxLxH) | Main Board: 30 x 50.9 x 9.2 mm Daughter Board: 59.5 x 30 x 17.32 mm |
| Temperature | Operation: STD: 0°C ~ +70°C. W/T: -40°C ~ +85°C Storage: -55°C ~ +95°C |
| Environment | Vibration: 5G @7~2000Hz, Shock: 50G @ 0.5ms |
| Notes | Please download driver from Intel official website. Windows: 10 (64bit), Linux (igc): kernel 5.x version |
| Limitations | *Linux kernel rebuild is needed (modify igc driver) if version < 5.16.18 *Not recommend used in VMware ESXi due to High Latency *Not support Intel vPro *The speed will be ≤ 1.2 Gbits/sec when using dual LAN at the same time. |

Headquarters (Taiwan)

5F., No.237, Sec. 1, Datong Rd.,
Xizhi Dist., New Taipei City 221,
Taiwan

Tel: +886-2-7703-3000
Email: sales@innodisk.com

Branch Offices:

USA

usasales@innodisk.com
+1-510-770-9421

Europe

eusales@innodisk.com
+31-40-3045-400

Japan

jpsales@innodisk.com
+81-3-6667-0161

China

sales_cn@innodisk.com
+86-755-2167-3689

www.innodisk.com

© 2023 Innodisk Corporation.
All right reserved. Specifications
are subject to change without
prior notice.

September 25, 2023

Order information

EMPL-22S1-C1 (i225-LM, Mounting hole, Standard Temp.)

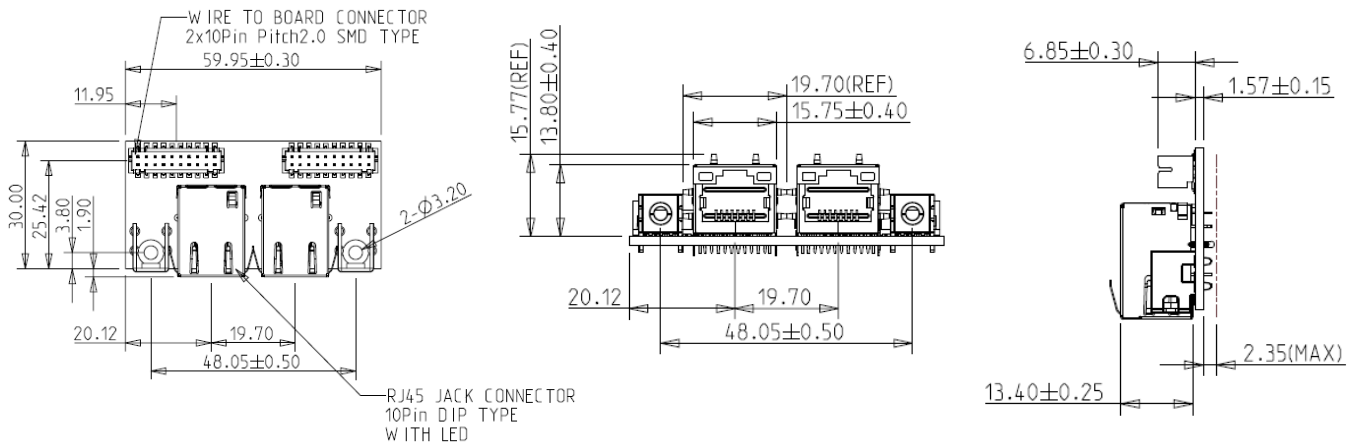
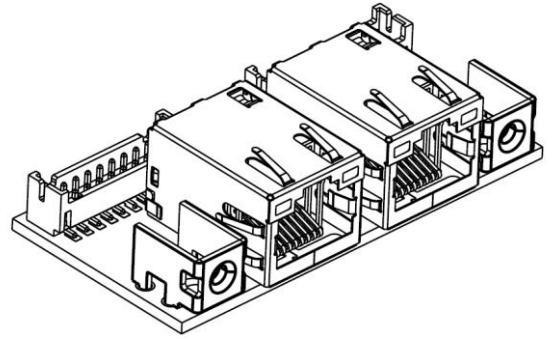
EMPL-22S1-W1 (i225-IT, Mounting hole, Wide Temp.)

EMPL-22S1-C2 (i225-LM, Bracket, Standard Temp.)

EMPL-22S1-W2 (i225-IT, Bracket, Wide Temp.)

mPCIe to Dual Isolated 2.5GbE LAN Module

EMPL-22S1-C1/W1 Daughter Board and Mechanical Drawing



EMPL-22S1-C2/W2 Daughter Board and Mechanical Drawing

