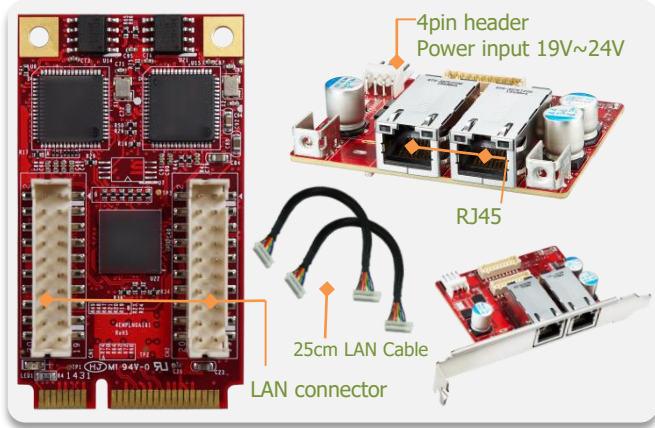


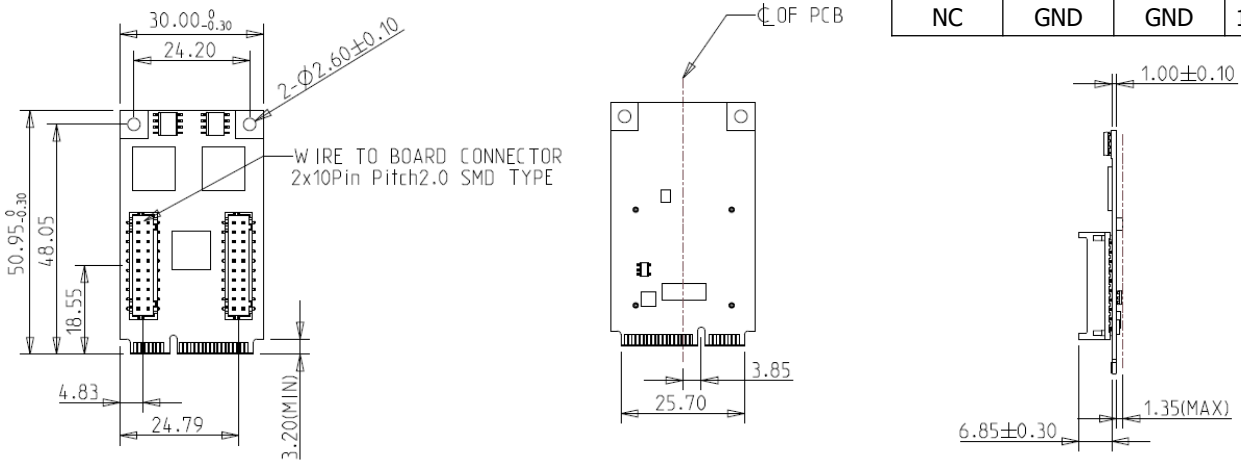
EMPL-G2P2 mPCIe to dual PoE+ Module

Features

- Supports dual GbE LAN ports
- Two independent PSE channels
- Supports 19V~24V ($\pm 5\%$) power input via 4pin header
- Complies with IEEE 802.3at, up to 25.5W at 52V per PoE port.
- Complies with EN61000-4-2 (ESD) Air-15kV, Contact-8kV
- Industrial temperature -40 °C to 85 °C



Mechanical Drawing



Specifications

Form-Factor	mPCIe
Input I/F	PCI Express 2.1 x 1
Output I/F	PoE+ x 2
Output Connector	RJ45 x 2
Power Consumption	25.5W x 2 (52V x 0.98A)
Dimension (WxLxH)	Main Board: 30 x 50.9 x 9.2 mm Daughter Board: 58.2 x 72.7 x 23.8 mm
Temperature	Operation: STD: 0°C ~ +70°C. W/T: -40°C ~ +85°C Storage: -55°C ~ +95°C
Environment	Vibration: 5G @7~2000Hz, Shock: 50G @ 0.5ms
Notes	Please download driver from Intel official website. Windows: XP(32bit), 7(32/64bit), 8/8.1(32/64 bit), 10(32/64bit) Linux: kernel 2.4 series, 2.6.x and 3.x version.
Limitations	EMPL-G2P2 series does not recommend used in VMware ESXi due to High Latency

Headquarters (Taiwan)

5F., No.237, Sec. 1, Datong Rd.,
Xizhi Dist., New Taipei City 221,
Taiwan

Tel: +886-2-7703-3000
Email: sales@innodisk.com

Branch Offices:

USA

usasales@innodisk.com
+1-510-770-9421

Europe

eusales@innodisk.com
+31-40-3045-400

Japan

jpsales@innodisk.com
+81-3-6667-0161

China

sales_cn@innodisk.com
+86-755-2167-3689

www.innodisk.com

© 2022 Innodisk Corporation.
All right reserved. Specifications
are subject to change without
prior notice.

December 27, 2022

Order information

EMPL-G2P2-C1 (Mounting hole, 4pin header, Standard Temp.)

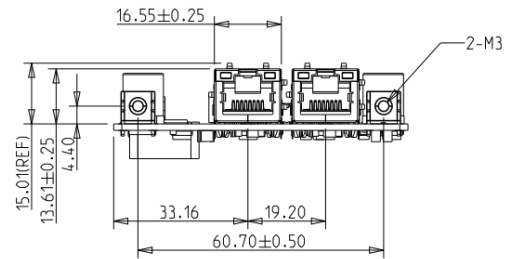
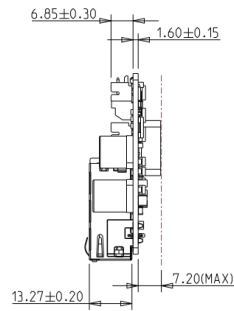
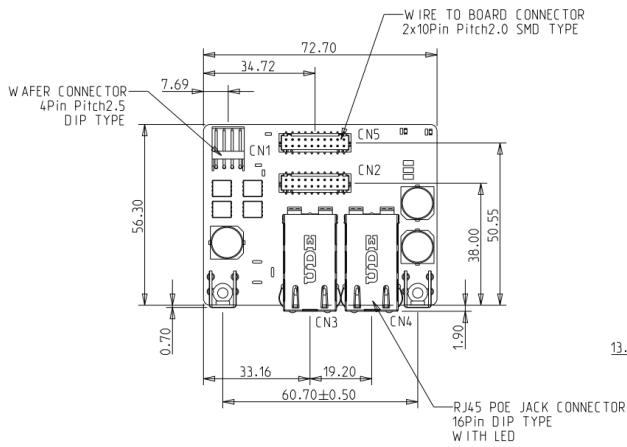
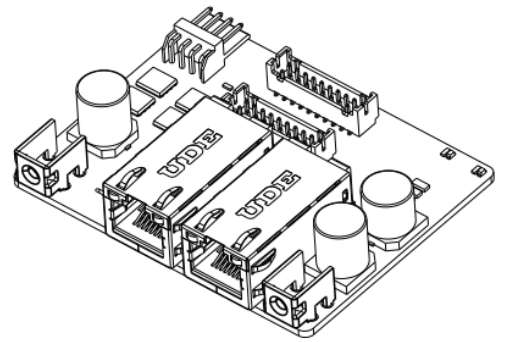
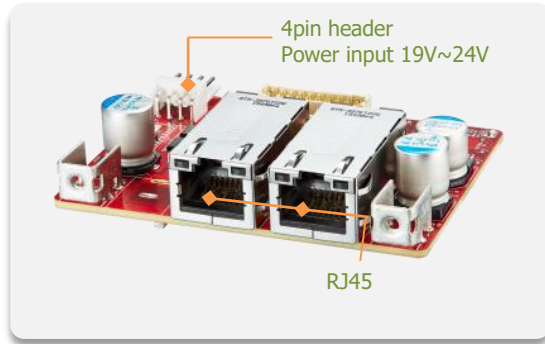
EMPL-G2P2-W1 (Mounting hole, 4pin header, Wide Temp.)

EMPL-G2P2-C2 (Bracket, 4pin header, Standard Temp.)

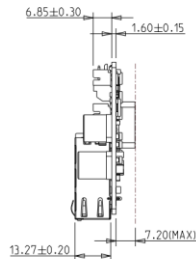
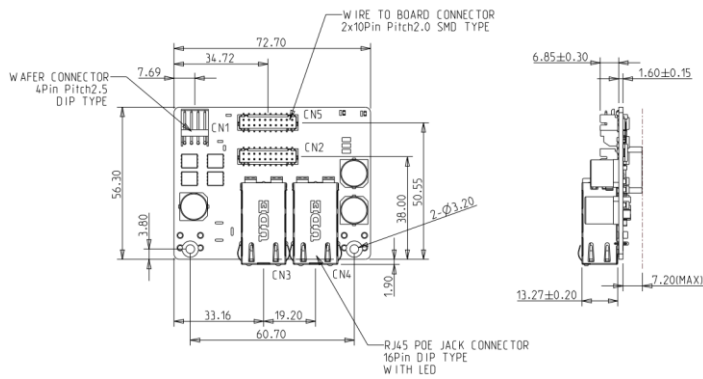
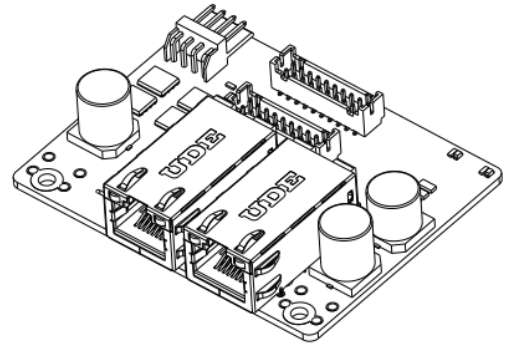
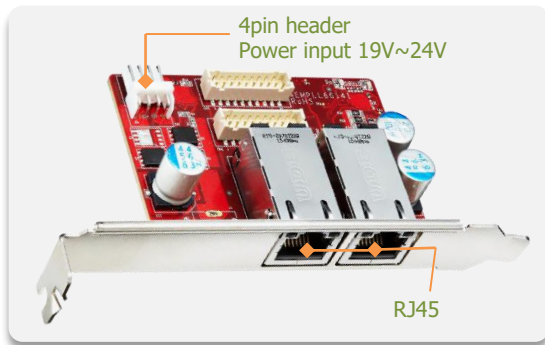
EMPL-G2P2-W2 (Bracket, 4pin header, Wide Temp.)

mPCIe to dual Isolated PoE+ Module

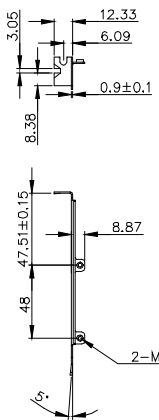
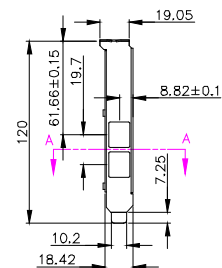
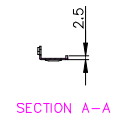
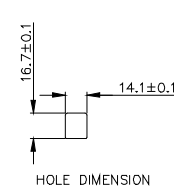
EMPL-G2P2-C1/W1 Daughter Board and Mechanical Drawing



EMPL-G2P2-C2/W2 Daughter Board and Mechanical Drawing



Bracket



TOLERANCE: ±0.20mm