

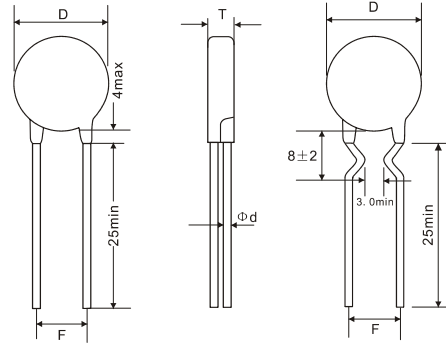
Characteristics

1. MF72 series is resin coated pin parts.
2. Small size, high power, good for restraining surge current.
3. Quick response.
4. Large B constant, low residue resistance.
5. Long life, high reliability.
6. Complete parts, broad operating range.

Application

1. Switch power, UPS power.
2. Energy saving lights, electronic ballast.
3. Electron circuit, power circuit, etc.

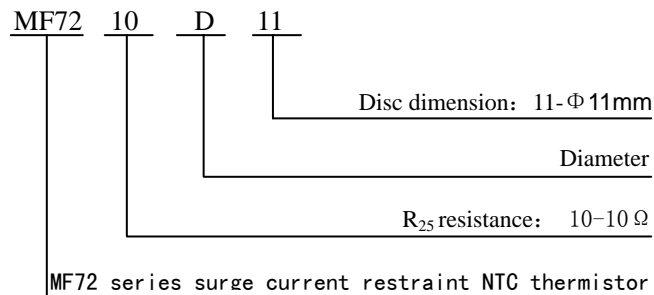
Dimension (Unit: mm)



Straight pins

Inner kinked pins

Part number explanation



Data sheet

| Part number | Resistance R ₂₅ (Ω) | Max. stable current (A) | Approx. resistance at max. current (Ω) | Dissipation coefficient (mW/°C) | Thermal time constant (s) | Operating temperature (°C) | Dimension (mm) | | | |
|-------------|--------------------------------|-------------------------|--|---------------------------------|---------------------------|----------------------------|----------------|------|-------|----------|
| | | | | | | | D±2 | Tmax | F±1 | Φd |
| MF72-5D5 | 5 | 1 | 0.353 | 6 | 20 | -55~+200 | 6.5 | 5 | 5/2.5 | 0.6/0.45 |
| MF72-10D5 | 10 | 0.7 | 0.771 | 6 | 20 | | 6.5 | 5 | 5/2.5 | 0.6/0.45 |
| MF72-60D5 | 60 | 0.5 | 1.878 | 6 | 18 | | 6.5 | 5 | 5/2.5 | 0.6/0.45 |
| MF72-200D5 | 200 | 0.1 | 6.259 | 6 | 18 | | 6.5 | 5 | 5/2.5 | 0.6/0.45 |
| MF72-5D7 | 5 | 2 | 0.283 | 10 | 30 | | 8.5 | 5 | 5 | 0.6 |
| MF72-8D7 | 8 | 1 | 0.539 | 9 | 28 | | 8.5 | 5 | 5 | 0.6 |
| MF72-10D7 | 10 | 1 | 0.616 | 9 | 27 | | 8.5 | 5 | 5 | 0.6 |
| MF72-22D7 | 22 | 0.6 | 1.108 | 9 | 27 | | 8.5 | 5 | 5 | 0.6 |
| MF72-33D7 | 33 | 0.5 | 1.485 | 10 | 28 | | 8.5 | 5 | 5 | 0.6 |
| MF72-200D7 | 200 | 0.2 | 6.233 | 11 | 28 | | 8.5 | 5 | 5 | 0.6 |
| MF72-3D9 | 3 | 4 | 0.120 | 11 | 35 | | 10.5 | 5.5 | 7.5/5 | 0.8/0.6 |
| MF72-5D9 | 5 | 3 | 0.210 | 11 | 34 | | 10.5 | 5.5 | 7.5/5 | 0.8/0.6 |
| MF72-8D9 | 8 | 2 | 0.400 | 11 | 32 | | 10.5 | 5.5 | 7.5/5 | 0.8/0.6 |
| MF72-10D9 | 10 | 2 | 0.458 | 11 | 32 | | 10.5 | 5.5 | 7.5/5 | 0.8/0.6 |



| | | | | | | | | | | |
|-------------|-----|-----|-------|----|-----|----------|------|-----|--------|---------|
| MF72-16D9 | 16 | 1 | 0.802 | 11 | 31 | -55~+200 | 10.5 | 5.5 | 7.5/5 | 0.8/0.6 |
| MF72-20D9 | 20 | 1 | 0.864 | 11 | 30 | | 10.5 | 5.5 | 7.5/5 | 0.8/0.6 |
| MF72-22D9 | 22 | 1 | 0.950 | 11 | 30 | | 10.5 | 5.5 | 7.5/5 | 0.8/0.6 |
| MF72-33D9 | 33 | 1 | 1.124 | 11 | 30 | | 10.5 | 5.5 | 7.5/5 | 0.8/0.6 |
| MF72-60D9 | 60 | 0.8 | 1.502 | 11 | 30 | | 10.5 | 5.5 | 7.5/5 | 0.8/0.6 |
| MF72-200D9 | 200 | 0.5 | 5.007 | 11 | 32 | | 10.5 | 5.5 | 7.5/5 | 0.8/0.6 |
| MF72-2.5D11 | 2.5 | 5 | 0.095 | 13 | 43 | | 12.5 | 5.5 | 7.5/5 | 0.8/0.6 |
| MF72-5D11 | 5 | 4 | 0.156 | 13 | 45 | | 12.5 | 5.5 | 7.5/5 | 0.8/0.6 |
| MF72-8D11 | 8 | 3 | 0.255 | 14 | 47 | | 12.5 | 5.5 | 7.5/5 | 0.8/0.6 |
| MF72-10D11 | 10 | 3 | 0.275 | 14 | 47 | | 12.5 | 5.5 | 7.5/5 | 0.8/0.6 |
| MF72-16D11 | 16 | 2 | 0.470 | 14 | 50 | | 12.5 | 5.5 | 7.5/5 | 0.8/0.6 |
| MF72-22D11 | 22 | 2 | 0.563 | 15 | 52 | | 12.5 | 5.5 | 7.5/5 | 0.8/0.6 |
| MF72-33D11 | 33 | 1.5 | 0.734 | 15 | 52 | | 12.5 | 5.5 | 7.5/5 | 0.8/0.6 |
| MF72-60D11 | 60 | 1.5 | 1.215 | 15 | 52 | | 12.5 | 5.5 | 7.5/5 | 0.8/0.6 |
| MF72-1.3D13 | 1.3 | 7 | 0.062 | 13 | 60 | | 14.5 | 6 | 7.5 | 0.8 |
| MF72-1.5D13 | 1.5 | 7 | 0.073 | 13 | 60 | | 14.5 | 6 | 7.5 | 0.8 |
| MF72-2.5D13 | 2.5 | 6 | 0.088 | 13 | 60 | | 14.5 | 6 | 7.5 | 0.8 |
| MF72-3D13 | 3 | 6 | 0.092 | 14 | 60 | | 14.5 | 6 | 7.5 | 0.8 |
| MF72-5D13 | 5 | 5 | 0.125 | 15 | 68 | | 14.5 | 6 | 7.5 | 0.8 |
| MF72-8D13 | 8 | 4 | 0.194 | 15 | 60 | | 14.5 | 6 | 7.5 | 0.8 |
| MF72-10D13 | 10 | 4 | 0.206 | 15 | 65 | | 14.5 | 6 | 7.5 | 0.8 |
| MF72-15D13 | 15 | 3 | 0.335 | 16 | 60 | | 14.5 | 6 | 7.5 | 0.8 |
| MF72-16D13 | 16 | 3 | 0.338 | 16 | 60 | | 14.5 | 6 | 7.5 | 0.8 |
| MF72-47D13 | 47 | 2 | 0.810 | 17 | 65 | | 14.5 | 6 | 7.5 | 0.8 |
| MF72-1.3D15 | 1.3 | 8 | 0.048 | 18 | 68 | | 16.5 | 6 | 10/7.5 | 0.8 |
| MF72-1.5D15 | 1.5 | 8 | 0.052 | 19 | 69 | | 16.5 | 6 | 10/7.5 | 0.8 |
| MF72-3D15 | 3 | 7 | 0.075 | 18 | 76 | | 16.5 | 6 | 10/7.5 | 0.8 |
| MF72-5D15 | 5 | 6 | 0.112 | 20 | 76 | | 16.5 | 6 | 10/7.5 | 0.8 |
| MF72-8D15 | 8 | 5 | 0.178 | 20 | 80 | | 16.5 | 6 | 10/7.5 | 0.8 |
| MF72-10D15 | 10 | 5 | 0.180 | 20 | 75 | | 16.5 | 6 | 10/7.5 | 0.8 |
| MF72-15D15 | 15 | 4 | 0.268 | 21 | 85 | | 16.5 | 6 | 10/7.5 | 0.8 |
| MF72-16D15 | 16 | 4 | 0.276 | 21 | 70 | | 16.5 | 6 | 10/7.5 | 0.8 |
| MF72-47D15 | 47 | 3 | 0.680 | 21 | 86 | | 16.5 | 6 | 10/7.5 | 0.8 |
| MF72-0.7D20 | 0.7 | 12 | 0.018 | 25 | 89 | | 21.5 | 7 | 10/7.5 | 1.0 |
| MF72-1.3D20 | 1.3 | 9 | 0.037 | 24 | 88 | | 21.5 | 7 | 10/7.5 | 1.0 |
| MF72-3D20 | 3 | 8 | 0.055 | 24 | 88 | | 21.5 | 7 | 10/7.5 | 1.0 |
| MF72-5D20 | 5 | 7 | 0.087 | 23 | 87 | | 21.5 | 7 | 10/7.5 | 1.0 |
| MF72-8D20 | 8 | 6 | 0.142 | 25 | 105 | | 21.5 | 7 | 10/7.5 | 1.0 |
| MF72-0.7D25 | 0.7 | 13 | 0.014 | 30 | 120 | | 26.5 | 8 | 10 | 1.0 |
| MF72-1.5D25 | 1.5 | 10 | 0.027 | 30 | 121 | | 26.5 | 8 | 10 | 1.0 |
| MF72-3D25 | 3 | 9 | 0.044 | 32 | 124 | | 26.5 | 8 | 10 | 1.0 |
| MF72-5D25 | 5 | 8 | 0.070 | 32 | 125 | | 26.5 | 8 | 10 | 1.0 |